

**Original Instruction Manual**  
**Оригінальні інструкції з експлуатації**  
**Oryginalna instrukcja obsługi**  
**Manual de instrucțiuni original**  
**Originalbetriebsanleitung**  
**Eredeti használati útmutató**  
**Pôvodný návod na obsluhu**  
**Originální návod k obsluze**

**⚠ WARNING:**  
Read this instruction manual carefully before putting the Telescopic Petrol Pole Saw into operation and strictly observe the safety regulations! Save instruction manual for future reference.

**⚠ УВАГА:**  
Уважно прочитайте цю інструкцію з експлуатації перед використанням бензинової телескопічної пилки для живоплоту та строго дотримуйтеся правил безпеки!  
Збережіть цю інструкцію з експлуатації, вона може знадобитися Вам у майбутньому.

**⚠ OSTRZEŻENIE:**  
Przeczytać uważnie niniejszą instrukcję obsługi przed uruchomieniem spalinowej pilarki łańcuchowej do gałęzi i ściśle przestrzegać przepisów dotyczących bezpieczeństwa!  
Zachować instrukcję obsługi w celu jej późniejszego wykorzystania.

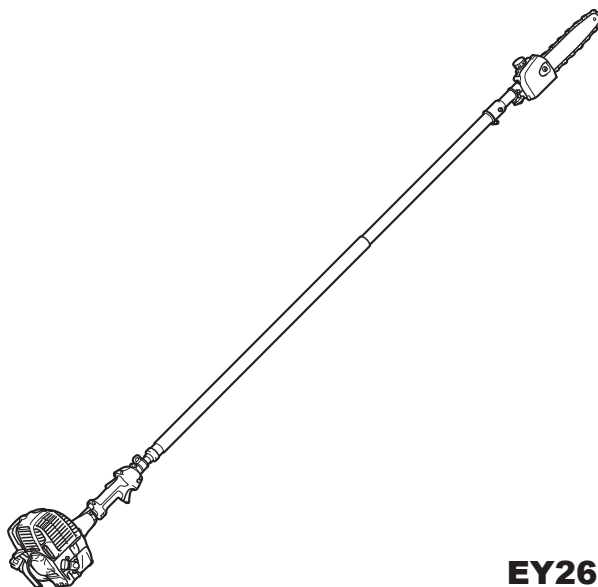
**⚠ AVERTISMENT:**  
Citiți cu atenție acest manual de instrucțiuni înainte de a pune în funcțiune ferăstrăul telescopic pe benzină și respectați cu strictețe reglementările privind siguranța!  
Păstrați manualul de instrucțiuni pentru consultări ulterioare.

**⚠ WARNUNG:**  
Lesen Sie vor Verwendung des Benzin-Hochentasters diese Betriebsanleitung aufmerksam durch und halten Sie die Sicherheitsbestimmungen strikt ein!  
Bewahren Sie die Anweisungen zum späteren Nachschlagen auf.

**⚠ FIGYELEM:**  
A benzinmotoros teleszkópos gallyfűrész első üzembe helyezése előtt figyelmesen olvassa át ezt a használati utasítást, és feltétlenül tartsa be a biztonsági előírásokat!  
Őrizze meg a használati utasítást későbbi használatra.

**⚠ VÝSTRAHA:**  
Pred uvedením benzínovej teleskopickej tyčovej píly do prevádzky si pozorne prečítajte tento návod na obsluhu a striktné dodržiavajte bezpečnostné predpisy!  
Návod na obsluhu uschovajte pre prípadné použitie v budúcnosti.

**⚠ VAROVÁNÍ:**  
Před uvedením motorové teleskopické tyčové píly do provozu si důkladně prostudujte tento návod k obsluze a pečlivě dodržujte bezpečnostní směrnice!  
Návod si uschovejte pro budoucí využití.



**EY2650H**

Thank you very much for purchasing the MAKITA Telescopic Petrol Pole Saw. We are pleased to recommend to you the MAKITA Telescopic Petrol Pole Saw which is the result of a long development programme and many years of knowledge and experience.

Please read this booklet which refers in detail to the various points that will demonstrate its outstanding performance. This will assist you to obtain the best possible result from your MAKITA Telescopic Petrol Pole Saw.



**Table of Contents**

**Page**

Symbols.....2  
 Safety instructions .....3  
 Technical data.....9  
 Designation of parts.....10  
 Assembly and adjustment .....11  
 Before start of operation .....14  
 Points in operation and how to stop .....16  
 Operation.....18  
 Servicing instructions.....18  
 Storage .....24

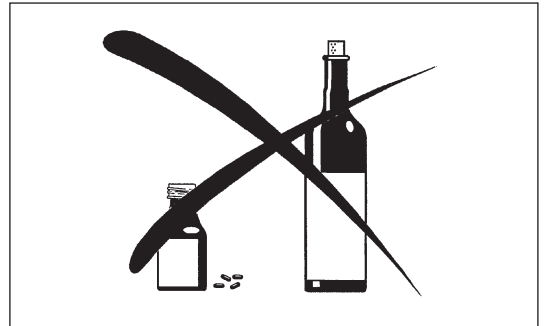
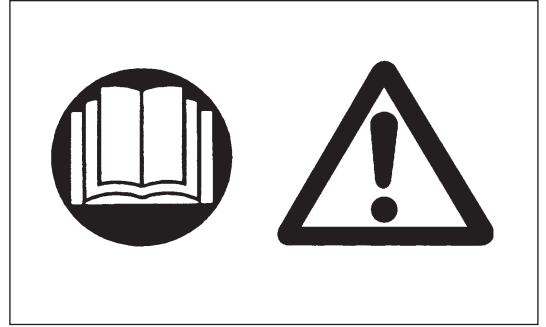
**SYMBOLS**

You will note the following symbols when reading the instructions manual.

	Read instruction manual and follow the warnings and safety precautions!		No open flame!
	Take particular care and attention!		Chain oil.
	Wear protective helmet, eye and ear protection.		Keep the area of operation clear of all persons and pets!
	Protective gloves must be worn!		Fuel (Gasoline)
	Wear sturdy boots with non-slip soles.		Engine-manual start
	Keep a distance of at least 15 m (50 ft) between the equipment and bystanders and/or electrical line (including any branches contacting it). Risk of electrical shock and/or personal injury.		First Aid
	Never hold the pole saw at an angle of more than 60°.		ON/START
	Chain speed.		OFF/STOP
	Forbidden!		Emergency stop
	No smoking!		

### General instructions

- To ensure correct operation, user has to read this instruction manual to make himself familiar with the handling of the equipment. Users insufficiently informed will risk danger to themselves as well as others due to improper handling.
- It is recommended only to lend the equipment to people who have proven to be experienced with equipment. Always hand over the instruction manual.
- First users should ask the dealer for basic instructions to familiarize oneself with the handling of an engine powered cutter.
- Children and young persons aged under 18 years must not be allowed to operate the equipment. Persons over the age of 16 years may however use the device for the purpose of being trained only whilst under supervision of a qualified trainer.
- Use the equipment with the utmost care and attention.
- Operate the equipment only if you are in good physical condition. Perform all work calmly and carefully. The user has to accept liability for others.
- Never use the equipment after consumption of alcohol or drugs, or if feeling tired or ill.
- Never attempt to modify the equipment.
- National regulations may restrict of the use of the equipment. Follow the regulations about handling of pole saws and chain saws in your country.

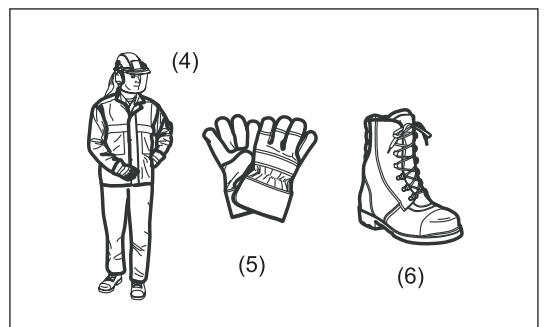
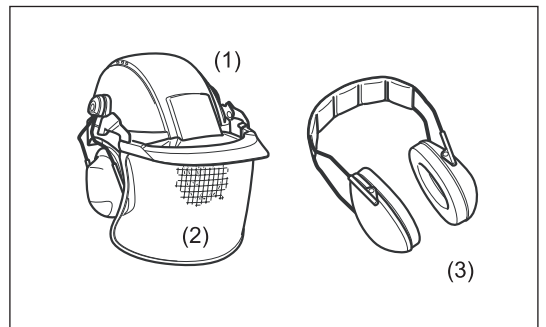


### Intended use of the machine

This equipment is designed only for the purpose of pruning branches and limbs less than 15 cm in diameter. Never use the equipment for the other purpose. Abusing the equipment may cause serious injury.

### Personal protective equipment

- The clothing worn should be functional and appropriate, i.e. it should be tight-fitting but not cause hindrance. Do not wear either jewelry or clothing which could become entangled with bushes or shrubs.
- In order to avoid either head-, eye-, hand- or foot injuries as well as to protect your hearing the following protective equipment and protective clothing must be used during operation.
- Always wear a helmet where there is a risk of falling objects. The protective helmet (1) is to be checked at regular intervals for damage and is to be replaced at the latest after 5 years. Use only approved protective helmets.
- The visor (2) of the helmet (or alternatively goggles) protects the face from flying debris and stones. During operation always wear goggles, or a visor to prevent eye injuries.
- Wear adequate noise protection equipment to avoid hearing impairment (ear muffs (3), ear plugs etc.).
- The work overalls (4) protect against flying stones and debris. We strongly recommend that the user wears work overalls.
- Special gloves (5) made of thick leather are part of the prescribed equipment and must always be worn during operation.
- When using the equipment, always wear sturdy shoes (6) with a non-slip sole. This protects against injuries and ensures a good footing.
- When handling the saw chain or adjusting the chain tension, wear protective gloves. Saw chain can cut bare hands severely.





## Work area safety

- **⚠ Danger:** Keep the pole saw at least 15 m away from electric lines and communication cables (including any branches contacting them). Touching or approaching high-voltage lines with the pole saw can result in death or serious injury. Watch power lines and electrical fences around the work area before starting operation.
- Operate the pole saw under good visibility and daylight conditions only. Do not operate the pole saw in darkness or fog.
- Start and operate the engine only outdoors in a well ventilated area. Operation in a confined or poorly ventilated area can result in death due to suffocation or carbon monoxide poisoning.
- During operation, never stand on an unstable or slippery surface or a steep slope. During the cold season, beware of ice and snow and always ensure secure footing.
- During operation, keep bystanders or animals at least 15 m away from the pole saw. Stop the engine as soon as someone approaches.
- Before operation, examine the work area for wire fences, walls, or other solid objects. They can damage the saw chain.
- **⚠ WARNING:** Use of this product can create dust containing chemicals which may cause respiratory or other illnesses. Some examples of these chemicals are compounds found in pesticides, insecticides, fertilizers and herbicides. Your risk from these exposures varies, depending on how often you do this type of work. To reduce your exposure to these chemicals: work in a well ventilated area, and work with approved safety equipment, such as those dust masks that are specially designed to filter out microscopic particles.

## Putting into operation

- Before assembling or adjusting the equipment, switch off the engine and remove the spark plug cap.
- Before starting the engine, inspect the equipment for damages, loose screws/nuts or improper assembly. Sharpen blunt saw chain. If the saw chain is bent or damaged, replace it. Check all control levers and switches for easy action. Clean and dry the handles.
- Never attempt to start the engine if the equipment is damaged or not fully assembled. Otherwise serious injury may result.
- Adjust the chain tension properly. Refill the chain oil, if necessary.

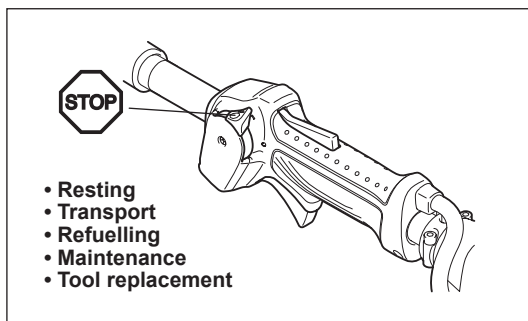
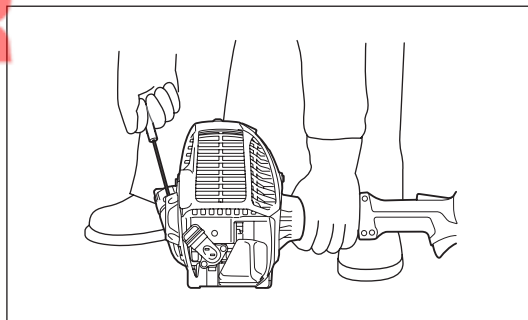
## Starting up the engine

- Please make sure that there are no children or other people, also pay attention to any animals in the working vicinity.
- Wear the personal protective equipment before starting the engine.
- Make sure that the attachment is attached in place, the control lever for easy action and check for proper functioning of the lock-off lever.
- If the saw chain moves at idle, stop the engine and adjust the idle speed down. Ask authorized service center for adjustment if in doubt. Check for clean and dry handles and test the function of the start/stop switch.



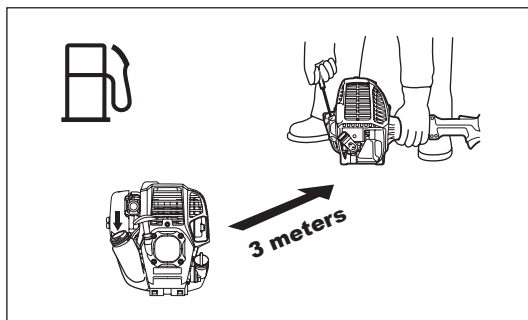
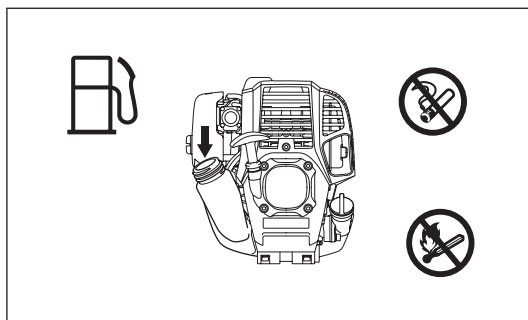
Start the engine only in accordance with the instructions.

- Do not use any other methods for starting the engine!
- Place the equipment on firm ground. Maintain good balance and secure footing.
- When pulling the starter knob, hold the equipment firmly against the ground by your left hand. Never step on the drive shaft.
- Before starting the engine, make sure that there is no person or animal in the work area.
- When starting the engine, keep the saw chain and guide bar clear of your body and other object, including the ground. The saw chain may move when starting and may cause serious injury or damage to the saw chain and/or property.
- The engine is to be switched off immediately in case of any engine problems.
- Should the saw chain hit stones or other hard objects, immediately switch off the engine and inspect the equipment.
- Operate the equipment only with the shoulder strap attached which is to be suitably adjusted before putting the equipment into operation. It is essential to adjust the shoulder strap according to the user size to prevent fatigue occurring during use. Never hold the cutter with one hand during use.
- With the engine running only at idle, attach the shoulder harness. During operation, keep the equipment on your right side firmly.
- All protective installations and guards supplied with the machine must be used during operation.
- Never operate the engine with faulty exhaust muffler.
- Except in case of emergency, never drop or cast the equipment to the ground or this may severely damage the equipment.



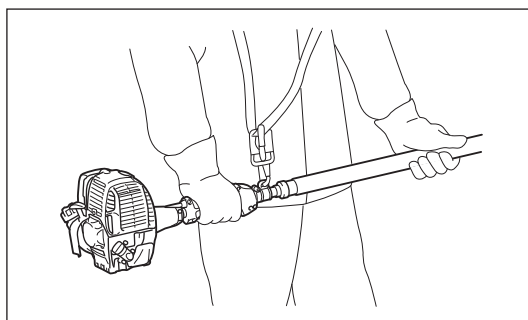
## Refuelling

- Shut off the engine during refuelling, keep away from open flames and do not smoke.
- Avoid skin contact with mineral oil products. Do not inhale fuel vapor. Always wear protective gloves during refuelling. Change and clean protective clothing at regular intervals.
- Take care not to spill either fuel or oil in order to prevent soil contamination (environmental protection). Clean the equipment immediately after fuel has been spilt.
- Avoid any fuel contact with your clothing. Change your clothing instantly if fuel has been spilt on it (to prevent clothing catching fire).
- Inspect the fuel cap at regular intervals making sure that it can be securely fastened and does not leak.
- Carefully tighten the fuel tank cap. Change location to start the engine (at least 3 meters away from the place of refuelling).
- Never refuel in closed rooms. Fuel vapors accumulate at ground level (risk of explosions).
- Only transport and store fuel in approved containers. Make sure the fuel stored is not accessible to children.



## Method of operation

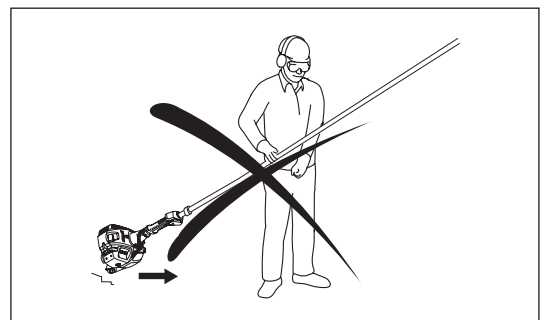
- In the event of an emergency, switch off the engine immediately.
- If you feel any unusual condition (e.g. noise, vibration) during operation, switch off the engine. Do not use the equipment until the cause is recognized and solved.
- The saw chain continues to move for a short period after releasing the throttle trigger. Don't rush to contact the saw chain.
- Hold the front grip with the left hand and the rear grip with the right hand, no matter you are right-hander or left-hander. Wrap your fingers and thumbs around the grips.
- Never attempt to operate the equipment with one hand. Loss of control may result in serious or fatal injury. To reduce the risk of injury, keep your hands and feet away from the blades.
- Do not overreach. Keep proper footing and balance at all times.
- Watch for hidden obstacles such as tree stumps, roots and ditches to avoid stumbling. Clear fallen branches and other objects away.
- If the equipment gets heavy impact or fall, check the condition before continuing work. Check the fuel system for fuel leakage and the controls and safety devices for malfunction. If there is any damage or doubt, ask Makita authorized service center for the inspection and repair.
- Do not touch the gear case. The gear case becomes hot during operation.
- When you leave the equipment, even if it is a short time, always stop the engine. The equipment unattended with the engine running may be used by unauthorized person and cause serious accident.



- Pay attention to the environment. Avoid unnecessary throttle operation for less pollution and noise emissions. Adjust the carburetor correctly.
- During or after operation, do not put the hot equipment onto dry grass or combustible materials.
- Do not hold your right hand above shoulder height.
- During operation, never hit the saw chain against hard obstacles such as stones and nails. Take particular care when cutting branches next to walls, wire fences or the like.
- If branches get caught in the saw chain, always stop the engine and remove the spark plug cap. Otherwise unintentional start may cause serious injury.
- If the saw chain becomes clogged, always stop the engine and remove the spark plug cap before cleaning.
- Accelerating the engine with the saw chain blocked increases the load and will damage the engine and/or clutch.
- Before cutting limbs, keep an escape area away from the falling limb. First, clear obstructs such as limbs and branches from the work area. Move all tools and goods from the escape area to another safe place.
- Before cutting branches and limbs, check the falling direction of them, considering the condition of branches and limbs, adjoining trees, wind direction, etc. Pay full attention to the falling direction, and the rebound of the branch, which hit the ground.
- Never hold the pole saw at an angle of more than 60°. Otherwise falling objects can hit the operator and cause serious injury. Never stand underneath the limb being cut.
- Pay attention to broken or bent branches. They may bounce back in cutting, causing unexpected injury.
- Before cutting limbs that you intend to cut, remove branches and leaves around them. Otherwise the saw may be caught by them.
- To prevent the saw from being caught in the kerf, do not release the throttle lever before pulling the saw out of the kerf.
- If the saw chain is bound in the kerf, immediately stop the engine, carefully move the branch to open the kerf and release the saw.
- Avoid kickback (rotational reactive force towards the operator). To prevent kickback, never use the guide bar nose or perform a penetrating cut. Always beware of the position of the guide bar nose.
- Check the chain tension frequently. When checking or adjusting the chain tension, stop the engine and remove the spark plug cap. If the tension is loose, tighten it.
- Operate the equipment with as little noise and contamination as possible. In particular check the correct setting of the carburetor.
- Never stand on a ladder and run the equipment.
- Never climb up into trees to perform cutting operation.
- Wait until the chain reaches its full working speed before cutting.
- Take a rest to prevent loss of control caused by fatigue. We recommend to take a 10 to 20-minute rest every hour.

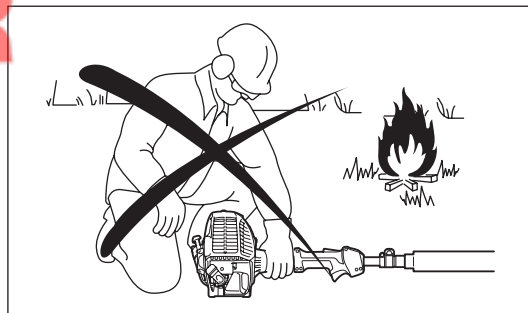
## Transport

- Before transporting the equipment, switch off the engine and remove the spark plug cap.
- Always fit the guide bar cover during transportation.
- Always use the tool protection included with the equipment.
- Carry it in a horizontal position by holding the shaft. Keep the hot muffler away from your body.
- When transporting the equipment in a vehicle, properly secure it to avoid turnover. Otherwise fuel spillage and damage to the equipment and other baggage may result.
- Shut off the engine during transport.
- Ensure that the fuel tank is completely empty.
- When unloading the equipment from the truck, never drop the engine to the ground or this may severely damage the fuel tank.
- Remember to lift the entire equipment from the ground when moving the equipment. Dragging the fuel tank is highly dangerous and will cause damage and leakage of fuel, possibly causing fire.



## Maintenance instructions

- Have your equipment serviced by our authorized service center, always using only genuine replacement parts. Incorrect repair and poor maintenance can shorten the life of the equipment and increase the risk of accidents.
- Before doing any maintenance or repair work or cleaning the equipment, always stop the engine and remove the spark plug cap. Wait until the engine gets cold.
- To reduce the risk of fire, never service or store the equipment in the vicinity of fire.
- Always wear protective gloves when handling the saw chain.
- Always clean dust and dirt off the equipment. Never use gasoline, benzine, thinner, alcohol or the like for the purpose. Discoloration, deformation or cracks of the plastic components may result.
- After each use, tighten all screws and nuts, except for adjustment screws.
- Keep the saw chain sharp. If the saw chain has become blunt and cutting performance is poor, ask Makita authorized service center to sharpen it or replace it with new one.
- Do not attempt any maintenance or repair not described in this instruction manual. Ask Makita authorized service center for such work.
- Clean the equipment at regular intervals and check that all screws and nuts are well tightened.
- Always store the equipment in locked rooms and with an emptied fuel tank.



## Storage

- Before storing the equipment, perform full cleaning and maintenance. Fit the guide bar cover. Remove the spark plug cap. Drain the fuel and chain oil after the engine gets cold.
- Store the equipment in a dry and high or locked location out of reach of children.
- Do not prop the equipment against something, such as a wall. Otherwise it may fall suddenly and cause an injury.

Observe the relevant accident prevention instructions issued by the relevant trade associations and by the insurance companies. Do not perform any modifications on the equipment as this will endanger your safety.

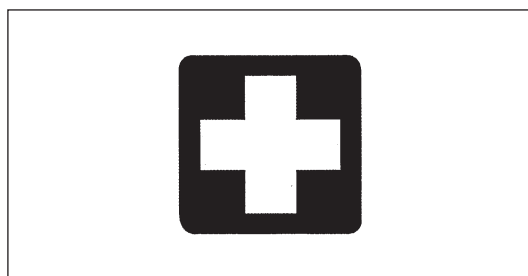
The performance of maintenance or repair work by the user is limited to those activities as described in the instruction manual. All other work is to be done by an Authorized Service Center. Use only genuine spare parts and accessories released and supplied by MAKITA. Use of non-approved accessories and tools means increased risk of accidents. MAKITA will not accept any liability for accidents or damage caused by the use of non-approved attachments and fixing devices of attachments, or accessories.

## First aid

In case of accident make sure that a first-aid box is available in the vicinity of the cutting operations. Immediately replace any item taken from the first aid box.

## When asking for help, please give the following information:

- Place of accident
- What happened
- Number of injured persons
- Kind of injuries
- Your name



## Vibration

- People with poor circulation who are exposed to excessive vibration may experience injury to blood vessels or the nervous system. Vibration may cause the following symptoms to occur in the fingers, hands or wrists: "Falling asleep" (numbness), tingling, pain, stabbing sensation, alteration of skin color or of the skin. If any of these symptoms occur, see a physician!
- To reduce the risk of "white finger disease", keep your hands warm during operation and well maintain the equipment and accessories.



---

## EC DECLARATION OF CONFORMITY

**We Makita Corporation as the responsible manufacturer declare that the following Makita Machine(s):**

Designation of Machine: Telescopic Petrol Pole Saw

Model No./ Type: EY2650H

Specifications: see "TECHNICAL DATA" table  
are of series production and

**Conforms to the following European Directives:**

2006/42/EC

And are manufactured in accordance with the following standards or standardised documents:

EN/ISO11680

The technical documentation is kept by:

Makita International Europe Ltd., Technical Department,  
Michigan Drive, Tongwell, Milton Keynes, Bucks MK15 8JD, England

The EC-Type Examination Certificate No. as a pole saw is:

4813008.13001

The EC-Type Examination per 2006/42/EC was performed by:

DEKRA Testing and Certification GmbH Enderstraße 92b 01277 Dresden, Germany  
Identification No. 2140

31. 10. 2013

A handwritten signature in black ink, appearing to read 'Tomoyasu Kato'.

Tomoyasu Kato  
Director

Makita Corporation  
3-11-8, Sumiyoshi-cho,  
Anjo, Aichi, 446-8502, JAPAN

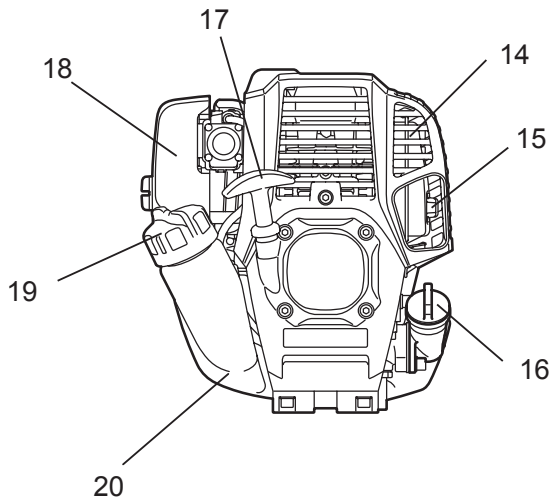
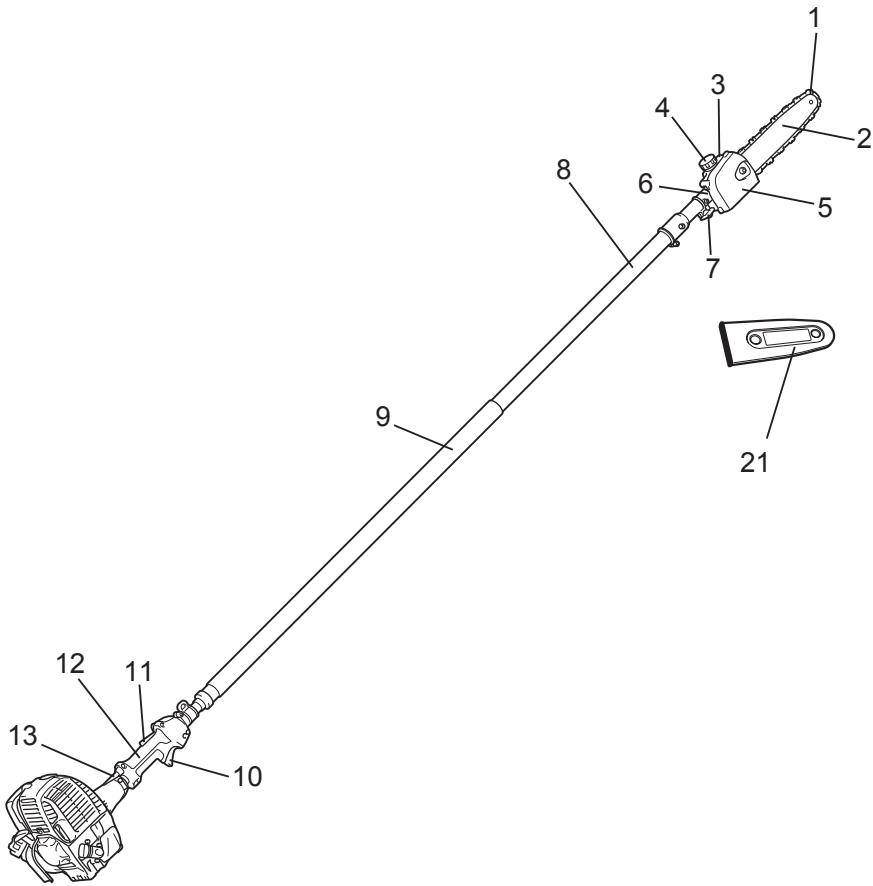
---



Model		EY2650H		
Dimension: L x W x H	mm	2,720-3,920 x 223 x 240		
Weight	kg	7.2		
Fuel tank volume	cm <sup>3</sup>	600		
Chain oil tank volume	cm <sup>3</sup>	120		
Engine displacement	cm <sup>3</sup>	25.4		
Max. chain speed	m/s	21.0		
Maximum engine performance		0.77 kW at 7,000 min <sup>-1</sup>		
Engine speed at recommended max, spindle speed	min <sup>-1</sup>	10,000		
Idling speed	min <sup>-1</sup>	3,000		
Clutch engagement speed	min <sup>-1</sup>	4,400		
Carburetor		Diaphragm type		
Spark plug	Type	NGK CMR4A		
Electrode gap	mm	0.7 - 0.8		
Fuel		Automobile gasoline (petrol)		
Engine oil		API grade SF class or higher, SAE 10W-30 oil (automobile 4-stroke engine oil)		
Cutting length	mm	255		
Guide bar length	mm (inch)	255 (10")		
Saw chain		91VXL-39E		
Chain pitch	inch	3/8"		
Chain gauge	mm (inch)	1.3 (0.05")		
Number of sprocket teeth		7		
Chain oil		Makita genuine chain oil		
Chain oil pump		Plunger pump (Self lubricating type)		
Vibration per ISO 22867	Right grip (rear grip)	a <sub>h<sub>v</sub> eq</sub> (Shaft in shortest position)	m/s <sup>2</sup>	5.3
		a <sub>h<sub>v</sub> eq</sub> (Shaft in longest position)	m/s <sup>2</sup>	6.1
		Uncertainty K	m/s <sup>2</sup>	2.0
	Left grip (front grip)	a <sub>h<sub>v</sub> eq</sub> (Shaft in shortest position)	m/s <sup>2</sup>	7.2
		a <sub>h<sub>v</sub> eq</sub> (Shaft in longest position)	m/s <sup>2</sup>	8.6
		Uncertainty K	m/s <sup>2</sup>	2.0
Sound pressure level average per ISO 22868	L <sub>PA eq</sub>	dBA	89.5	
	Uncertainty K	dBA	2.5	
Sound power level average per ISO 22868	L <sub>WA eq</sub>	dBA	107.3	
	Uncertainty K	dBA	2.5	

- Due to our continuing program of research and development, the specifications herein are subject to change without notice.
- Specifications may differ from country to country.

**EY2650H**



GB	DESIGNATION OF PARTS
1	Saw chain
2	Guide bar
3	Oil tank
4	Oil tank cap
5	Bar holder
6	Gear case
7	Knob
8	Telescopic shaft
9	Front grip
10	Throttle lever
11	Lock-off lever
12	Rear grip
13	Control cable
14	Exhaust muffer
15	Exhaust pipe
16	Oil cap
17	Starter knob
18	Air cleaner
19	Fuel tank cap
20	Fuel tank
21	Guide bar cover

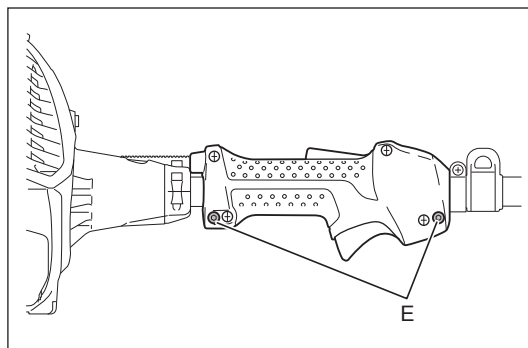
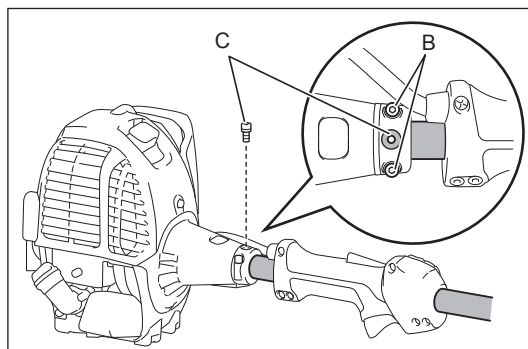
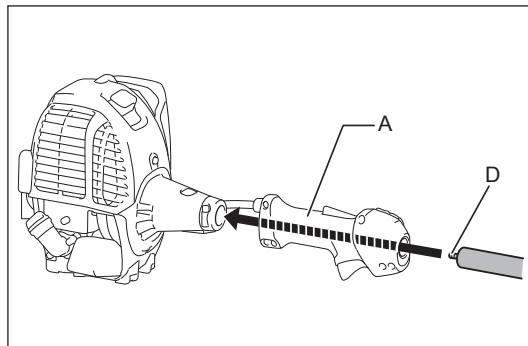
**WARNING:**

- Before assembling, adjusting or checking, switch off the engine and remove the spark plug cap.
- Always wear protective gloves when handling saw chain.
- Wait until the saw chain cools down before assembling, adjusting or checking. The saw chain become very hot during the operation, and may cause burn.

**Assembling shaft and clutch case**

Assemble the shaft with the rear grip and the engine unit as follows:

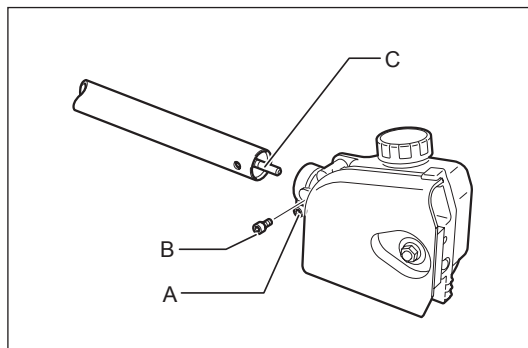
1. Insert the shaft through the rear grip **(A)**.
2. Loosen two fastening bolts **(B)** and remove the center bolt **(C)** on the clutch case.
3. Insert the shaft into the clutch case. If it is difficult to fully insert, turn the spline **(D)** a little.
4. Align the hole on the shaft with the hole of the center bolt.
5. Tighten the center bolt.
6. Tighten two fastening bolts evenly.
7. Adjust the position of the rear grip, then tighten it by two bolts **(E)**.



**Assembling shaft and gear case**

Assemble the shaft with the gear case as follows:

1. Loosen the bolt **(A)**. And remove the bolt **(B)**.
2. Insert the shaft into the gear case. If it is difficult to fully insert it, turn the spline **(C)** a little.
3. Align the hole on the shaft with the bolt **(B)** hole.
4. Tighten the bolt **(B)** first and then tighten the bolt **(A)**.

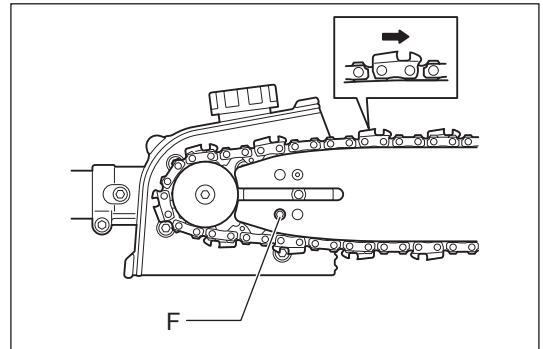
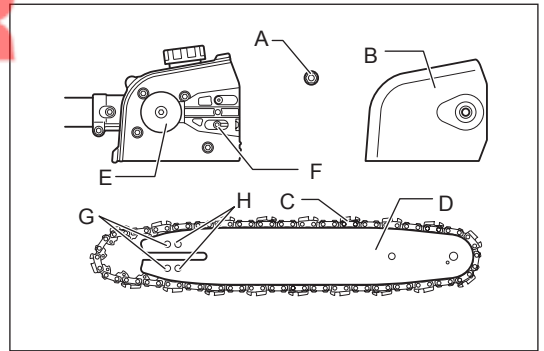


## Assembling saw chain and guide bar

**CAUTION:** Make sure that the saw chain, guide bar and sprocket match each other in gauge and pitch.

Assemble the saw chain and guide bar as the following steps.

1. Loosen the nut (A) and remove the bar holder (B).
2. Fit the saw chain (C) into the groove of guide bar (D). Start at the bar nose.
3. Fit the saw chain (C) onto the sprocket (E).
4. Install the guide bar (D) so that the tensioning nut (F) fits into the hole (G) on the guide bar. Holes (H) are not used.
5. Fit the bar holder (B) and tighten the nut (A) securely. Then loose the nut a half turn as a provision of the chain tension adjustment.
6. Adjust the chain tension. Refer to the section "Adjusting the chain tension."



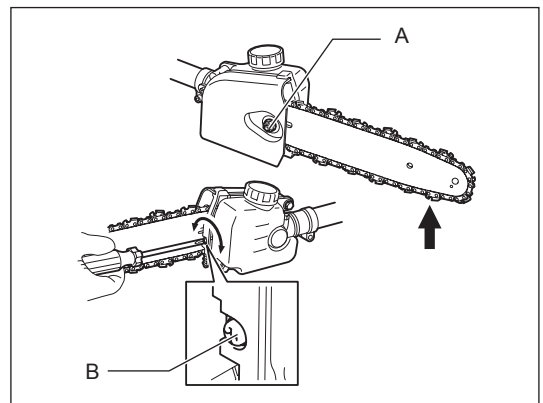
## Adjusting the chain tension

**CAUTION:**

- Keep the applicable chain tension. Loose tension can cause the saw chain to come off during operation. Too tight tension can damage the saw chain or guide bar.
- During operation, check the chain tension frequently. The saw chain stretches and becomes loose during operation. When use a new saw chain, adjust the tension more frequently.

Adjust the chain tension as the following steps.

1. Loosen the nut (A) a half turn.
2. Hold the bar nose up. Turn the tensioning screw (B) clockwise until the saw chain fits the underside of the guide bar snugly.
3. Grasp the saw chain in the middle of the guide bar and lift up. The gap between the guide bar and the tie strap of the saw chain should be approximately 3 - 4 mm (0.118"-0.157"). If it is not, turn the tensioning screw counterclockwise slightly and do the step 2 again.
4. Tighten the nut (A) securely.
5. If necessary, tighten the tensioning screw a little to prevent it from falling.



## Filling the chain oil tank

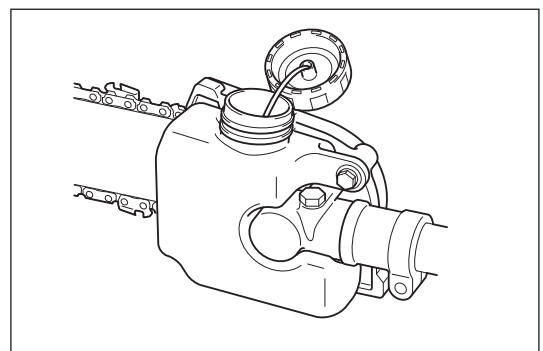
The saw chain must be lubricated with chain oil during operation. Before operation, fill the chain oil tank. After supplying the oil, tighten the oil cap securely.

Use Makita genuine chain oil only.

**NOTICE:**

- Never use waste oil. It may damage the oil pump.
- Avoid dusty environment when filling the chain oil. Dust and other foreign materials may damage the oil feed system.

During operation, always pay attention to the oil level. Refill the tank if the oil level becomes low. The tank becomes empty in approximately 40 minutes of operation (depending on the setting of the chain lubrication).

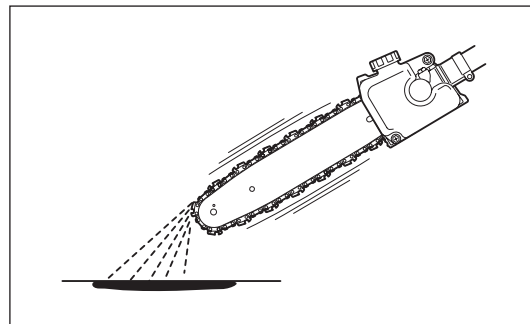
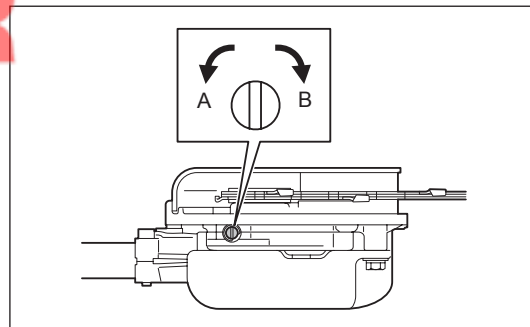






## Adjusting the chain-oil feeding rate

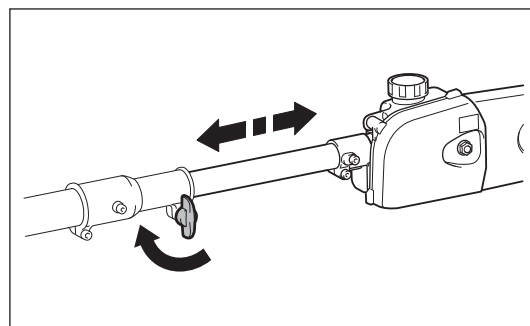
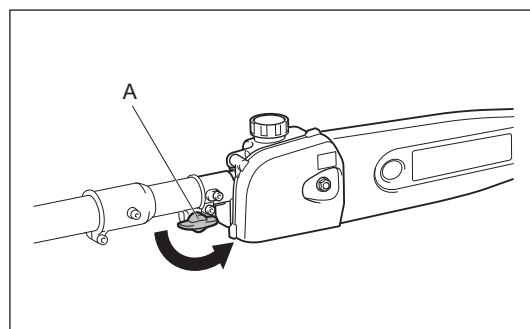
The chain-oil feeding rate is adjustable in three steps. According to the operation, for example cutting hard limbs, adjust the feeding rate. To adjust the chain-oil feeding rate, use a flat-bladed screwdriver. Push in the adjusting screw and turn it. To increase feeding rate, turn the adjusting screw counterclockwise (A). To reduce feeding rate, turn it clockwise (B). After adjusting the chain-oil feeding rate, check the feeding rate by driving the equipment at medium speed.



## Adjusting the length of pole saw

Adjust the length of the pole saw as follows:

1. Turn the knob (A) counterclockwise.
2. Adjust the length of the pole.
3. Turn the knob clockwise to fasten the gear head.



## Shoulder strap

### Adjusting the shoulder strap

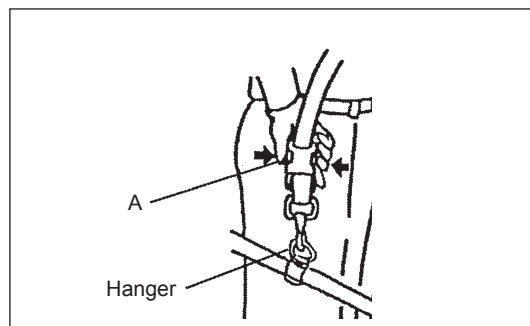
Adjust the strap to the suitable length for your operation.

### Detachment

In case of emergency, push the notches (A) at both sides, and detach the equipment.

Be extremely careful to maintain control of the equipment at this time. Do not allow the equipment to be deflected toward you or anyone in your vicinity.

**WARNING:** Failure to maintain complete control of the machine at all could result in serious injury or DEATH.



Note: In some countries, shoulder strap does not have this detachment function.

**Inspection and refill of engine oil**

- Perform the following procedure, with the engine cooled down.
- Set the engine level, remove oil cap (Fig. 1), and check to see whether or not there is oil in the range between the upper limit and lower limit marks of the oil pipe (Fig. 2).
- Top up with oil to upper limit mark if oil is insufficient (oil level is close to lower limit mark) (Fig. 3).
- The area surrounding the external marks is transparent, so the amount of oil inside can be checked without having to remove the oil cap. However, if oil pipe becomes extremely dirty, visibility may be lost, and oil level will have to be checked against stepped section on inside of oil pipe.
- For reference, the oil refill time is about 10h (every 10 refuellings).  
If the oil changes in color or mixes with dirt, replace it with new one. (For the interval and method of replacement, refer to P 19)

**Recommended oil:** SAE 10W-30 oil of API Classification, Class SF or higher (4-stroke engine for automobile)

**Oil volume:** Approx. 0.08L

Note: If the engine is not kept upright, oil may go into around the engine, and may be refilled excessively.  
If the oil is filled above the limit, the oil may be contaminated or may catch fire with white smoke.

**Point 1 in Replacement of oil: "Oil cap"**

- Remove dust or dirt near the oil refill port, and detach the oil cap.
- Keep the detached oil cap free of sand or dust. Otherwise, any sand or dust adhering to the oil cap may cause irregular oil circulation or wear on the engine parts, which will result in troubles.

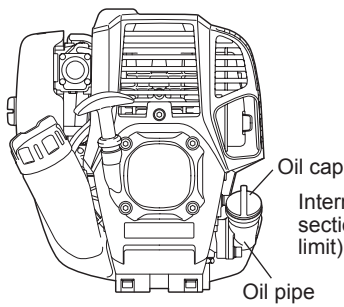


Fig. 1

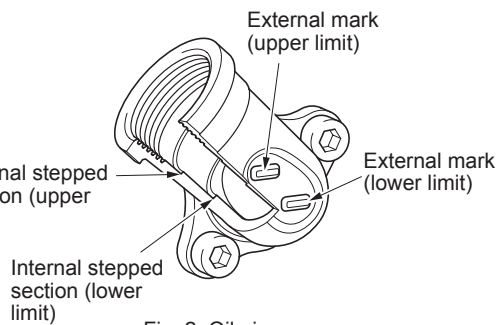


Fig. 2 Oil pipe

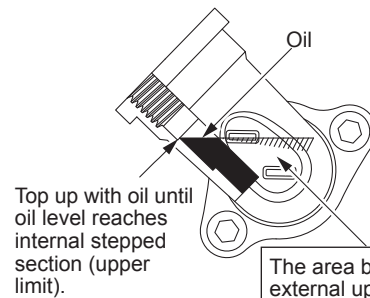
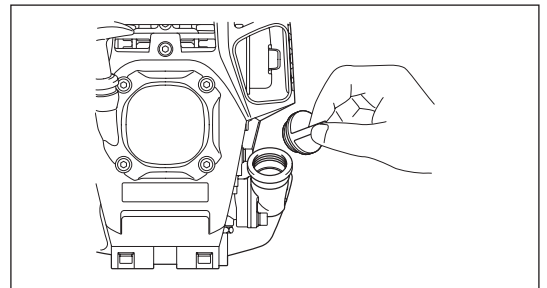


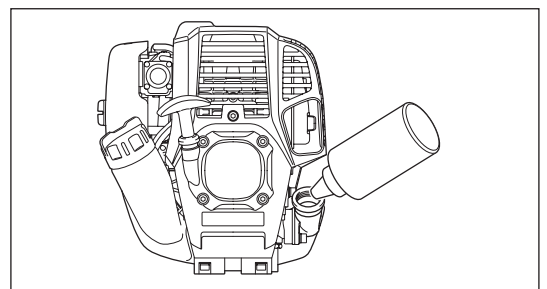
Fig. 3

The area between the external upper and lower limits is transparent, so oil level can be checked externally against these marks.

(1) Keep the engine level, and detach the oil cap.



(2) Fill with oil to upper limit mark. (see Fig. 3)  
Use oil bottle when filling.



(3) Securely tighten the oil cap. Insufficient tightening may cause oil leakage.



- Do not replace oil with the engine in a tilted position.
- Filling with oil while engine is tilted leads to overfilling which causes oil contamination and/or white smoke.

#### Point 2 in Replacement of oil: “If oil spills out”

- If oil spills out between the fuel tank and engine main unit, the oil is sucked into through the cooling air intake port, which will contaminate the engine. Be sure to wipe out spilt oil before start of operation.

## REFUELLING

### Handling of fuel

It is necessary to handle fuel with utmost care. Fuel may contain substances similar to solvents. Refuelling must be performed in a sufficiently ventilated room or in the open air. Never inhale fuel vapor, and keep fuel away from you. If you touch fuel repeatedly or for a long time, the skin becomes dry, which may cause skin disease or allergy. If fuel enters into the eye, clean the eye with fresh water. If your eye remains still irritated, consult your doctor.

Do not perform refuelling in the dusk or on unstable surface.

### Storage period of fuel

Fuel should be used up within a period of 4 weeks, even if it is kept in a special container in a well-ventilated shade. If a special container is not used or if the container is not covered, fuel may deteriorate in one day.

### STORAGE OF MACHINE AND REFILL TANK

- Keep the machine and tank at a cool place free from direct sunshine.
- Never keep the fuel in the cabin or trunk.

## Fuel

The engine is a four-stroke engine. Be sure to use an automobile gasoline (regular gasoline or premium gasoline).

### Points for fuel

- Never use a gasoline mixture which contains engine oil. Otherwise, it will cause excessive carbon accumulation or mechanical troubles.
- Use of deteriorated oil will cause irregular startup.

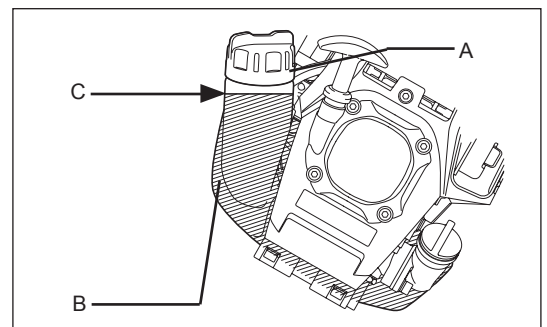
## Refuelling

### WARNING: INFLAMMABLES STRICTLY PROHIBITED

**CAUTION:** Do not forget to close the fuel tank cap after refuelling. Never start the engine with the fuel tank cap opened.

**Gasoline used:** Automobile gasoline (unleaded gasoline)

1. Loosen the fuel tank cap (**A**) a little to avoid the fuel spilling.
  2. Detach the fuel tank cap. And tilt the engine so that the refuel port faces upwards.
  3. Refuel carefully with discharging air from the fuel tank (**B**). (Do not refuel over the fuel upper limit (**C**).)
  4. Wipe well the periphery of the fuel tank cap to prevent foreign matter from entering into the fuel tank.
  5. After refuelling, securely tighten the fuel tank cap.
- If there is any flaw or damage on the tank cap, replace it.
  - The tank cap wears out in course of time. Replace it every two to three years.





**CAUTION:**

Observe the applicable accident prevention regulations!

**NOTICE:**

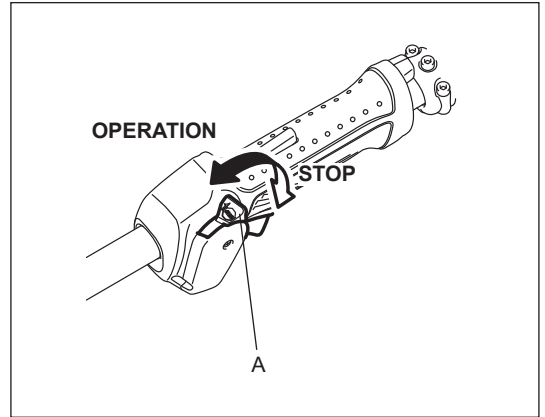
Remove the guide bar cover before starting the engine.

**STARTING**

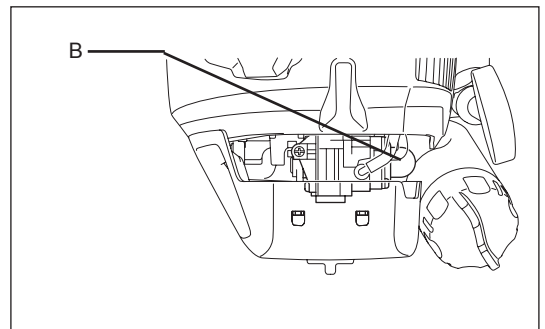
Move at least 3 m away from the place of refuelling. Place the equipment on a clean piece of ground taking care that the attachment does not come into contact with the ground or any other objects.

**A: Cold start**

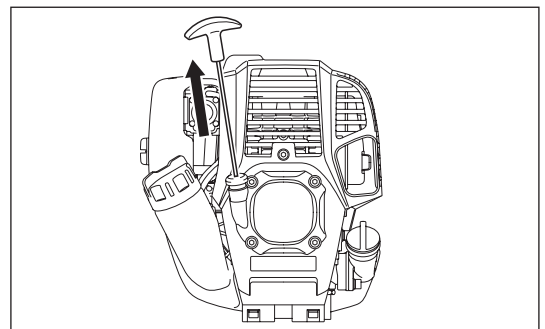
- 1) Set this machine on a flat space.
- 2) Set the I-O switch **(A)** to OPERATION.



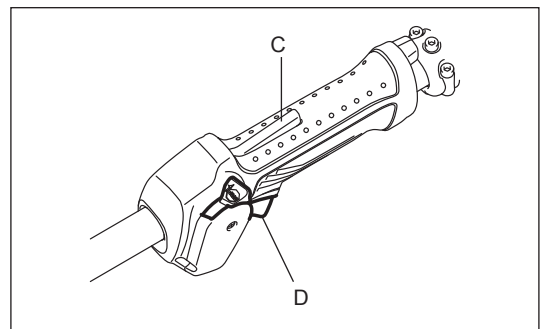
- 3) Primer pump  
Continue to push the primer pump **(B)** until fuel enters into the primer pump.  
(In general, fuel enters into the primer pump by 7 to 10 pushes.)  
If the primer pump is pushed excessively, an excess of gasoline returns to the fuel tank.



- 4) Recoil starter  
Pull the start knob gently until it is hard to pull (compression point). Then, return the start knob, and pull it strongly.  
Never pull the rope to the full. Once the start knob is pulled, never release your hand immediately. Hold the start knob until it returns to its original point.



- 5) The handle equips with lock-off lever **(C)** to prevent accidental start. To pull the throttle lever **(D)**, grasp the handle to release the lock (the lock-off button is pressed by hand pressure).



- 6) Warm-up operation  
Continue warm-up operation for 2 to 3 minutes.

Note: In case of excessive fuel intake, remove the spark plug and pull the starter handle slowly to remove excess fuel. Also, dry the electrode section of the spark plug.

### Caution during operation:

If the throttle lever is opened fully in a no-load operation, the engine rotation is increased to 10,000 min<sup>-1</sup> or more. Never operate the engine at a higher speed than required and at an approximate speed of 6,000 – 8,500 min<sup>-1</sup>.

### B: Startup after warm-up operation

- 1) Push the primer pump repeatedly.
- 2) Keep the throttle lever at the idling position.
- 3) Pull the recoil starter strongly.
- 4) If it is difficult to start the engine, open the throttle by about 1/3.  
Pay attention to the attachment which may rotate.

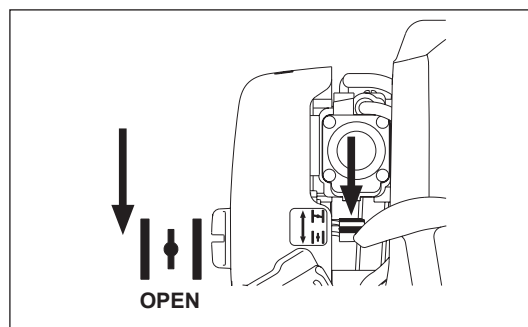
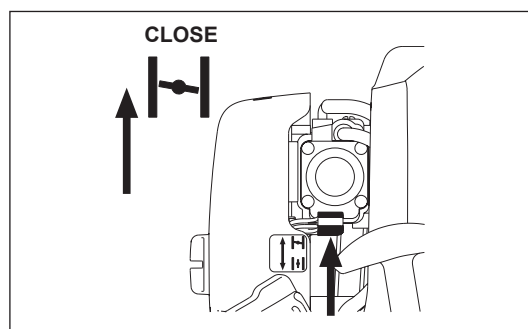
### At times, such as winter, when starting the engine is difficult

Operate choke lever with the following procedure when starting engine.

- After implementing startup steps 1) to 3), set choke lever to the CLOSE position.
- Implement startup step 4) and start engine.
- Once engine starts, set choke lever to the OPEN position.
- Implement startup step 5) and complete warm up.

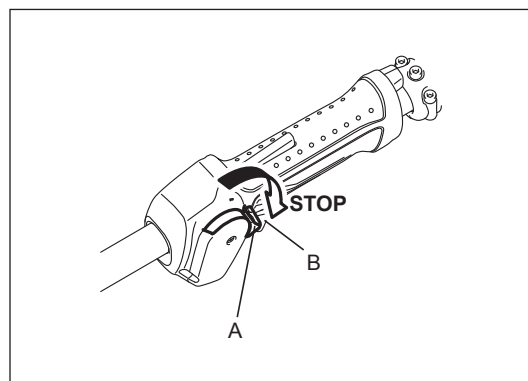
**CAUTION:** If a bang (explosive sound) is heard and the engine stops, or the just-started engine stalls before the choke lever is operated, return the choke lever to the OPEN position, and pull the starter knob a few times again to start the engine.

**CAUTION:** If the choke lever is left in the CLOSE position, and the starter knob merely pulled repeatedly, too much fuel will be sucked in, and the engine will become difficult to start.



### STOPPING

- 1) Release the throttle lever (B) fully, and when the engine rpm has lowered, set the I-O switch (A) to STOP the engine will now stop.
- 2) Be aware that the attachment may not stop immediately and allow it to slow down fully.

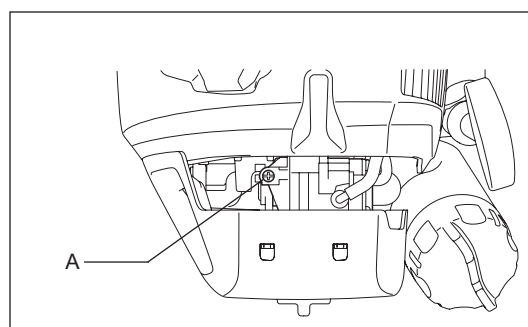


### ADJUSTMENT OF LOW-SPEED ROTATION (IDLING)

When it is necessary to adjust the low-speed rotation (idling), perform it by the carburetor adjusting screw (A).

### CHECKUP OF LOW-SPEED ROTATION

- Set the low-speed rotation to 3,000 min<sup>-1</sup>.  
If it is necessary to change the rotation speed, regulate the adjusting screw, with Phillips screwdriver.
- Turn the adjusting screw to the right, and the engine rotation will increase.  
Turn the adjusting screw to the left, and the engine rotation will drop.
- The carburetor is generally adjusted before shipment. If it is necessary to readjust it, please contact Authorized Service Center.



## OPERATION

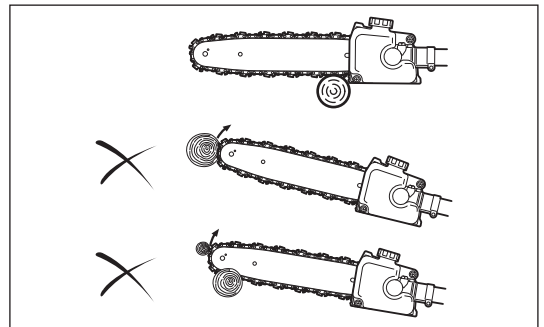
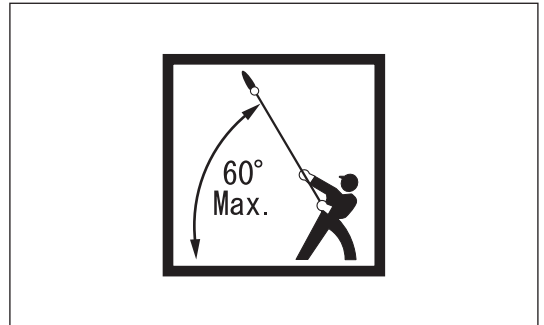


### Standing position

- Stand on stable surface. Make the angle of the pole saw become 60° against the horizontal ground.
- Cut lower branches first so that the branches fall easier.
- Always keep escape route in case a cut branch falls towards the operator.

### Method

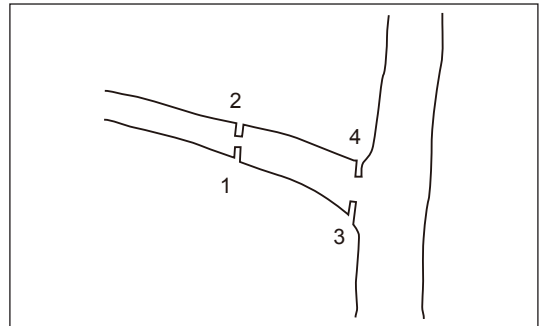
- Start the engine, and pull the throttle until the saw chain reaches its full speed.
- Press the saw chain onto the branch lightly. Do not force the equipment, otherwise it may damage the equipment.
- Never use the tip of the bar for cutting. Otherwise dangerous kickback may occur, and it may result in personal injury.



### Tips for cutting thick branch

When you cut a thick branch, use the following method.

1. Make a small notch on the under side of the branch where is a bit distance from you intend to cut.
2. Cut the branch from the upper side of where you notched.
3. Make another small notch on the under side of the branch where you intend to cut.
4. Cut where you intend to cut from the upper side.



## SERVICING INSTRUCTIONS

**CAUTION:** Before doing any work on the equipment, always stop the engine and pull the plug cap off the spark plug (see “checking the spark plug”).

Always wear protective gloves!

When inspecting or maintaining the equipment, always put it down. Assembling or adjusting the equipment in an upright position may result in serious injury.

Always put the guide bar cover when servicing.

To ensure a long service life and to avoid any damage to the equipment, the following servicing operations should be performed at regular intervals.

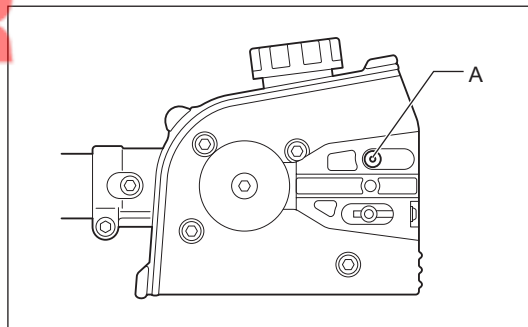
### Daily checkup and maintenance

- Before operation, check the machine for loose screws or missing parts. Pay particular attention to a specified attachment for mounting in place securely.
- Before operation, always check for clogging of the cooling air passage and the cylinder fins. Clean them if necessary.
- Perform the following work daily after use:
  - Clean the equipment externally and inspect for damage.
  - Clean the air filter. When working under extremely dusty conditions, clean the filter several times a day.
  - Check that there is sufficient difference between idling and engagement speed to ensure that the attachment is at a standstill while the engine is idling (if necessary reduce idling speed). If under idling conditions the tool should still continue to run, consult your nearest Authorized Service Agent.
- Check the functioning of the I-O switch, the lock-off lever and the control lever.



### Cleaning the chain-oil feed port

Clean the chain-oil feed port (A) daily. To access it, remove the bar holder and guide bar.

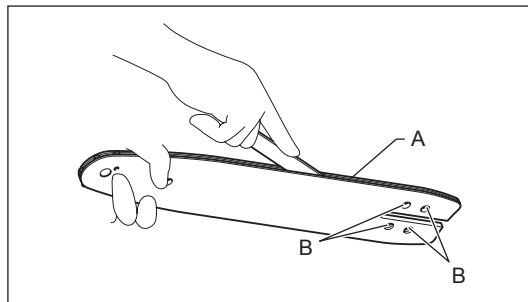


### Cleaning and inspecting the guide bar

Clean the guide bar daily. Remove saw dust from the groove (A) and chain-oil feed port (B).

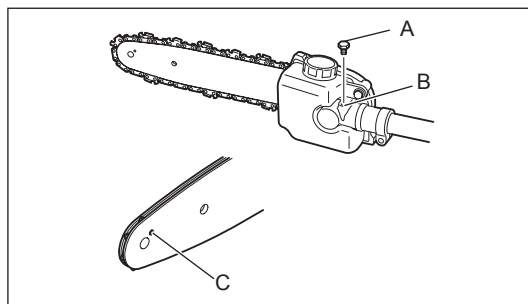
To avoid one side wear of the guide bar, turn it over every time you replace or sharpen the saw chain.

If the groove is worn, bent, cracked or deformed, replace the guide bar.



### Inspecting the saw chain

When you feel the saw chain is worn, deformed, cracked or you need more effort for the cutting, replace it or ask Makita authorized service center to sharpen it.



### Lubricating moving parts

**NOTICE:** Follow the instruction of the frequency and amount of grease supplied. Otherwise insufficient lubrication may damage moving parts.

Gear case:

Remove the grease plug (A) and fill lithium-base grease through the grease hole (B) every 25 hours of operation.

Guide bar nose:

Apply grease (Shell Alvania No. 2 or equivalent) from the grease hole (C) every 10 hours of operation.

## REPLACEMENT OF ENGINE OIL

Deteriorated engine oil will shorten the life of the sliding and rotating parts to a great extent. Be sure to check the period and quantity of replacement.



**ATTENTION:** In general, the engine main unit and engine oil still remain hot just after the engine is stopped. In replacement of oil, confirm that the engine main unit and engine oil are sufficiently cooled down. Otherwise, there may remain a risk of scald.

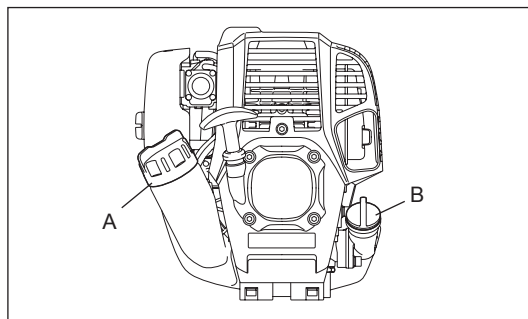
**Note:** If the oil filled above the limit, it may be contaminated or may catch fire with white smoke.

**Interval of replacement:** Initially, after 20 operating hours, and subsequently every 50 operating hours

**Recommended oil:** SAE10W-30 oil of API Classification SF Class or higher (4-stroke engine oil for automobile)

In replacement, perform the following procedure.

- 1) Confirm that the fuel tank cap (A) is tightened securely.
- 2) Place large container (pan, etc.) under drain hole (C).

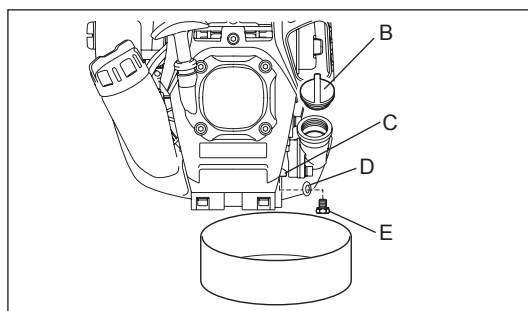


- 3) Remove drain bolt (E) and then remove oil cap (B) to drain out oil from drain hole.

At this time, be sure not to mislay drain bolt's gasket (D), or to make dirty any of the removed components.

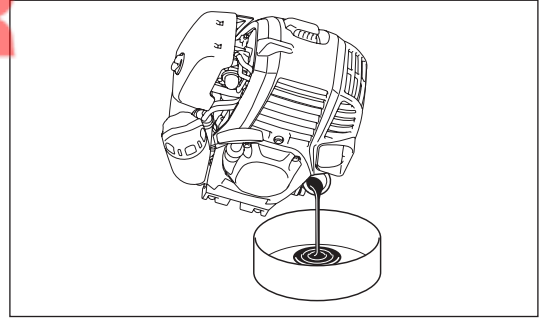
- 4) Once all the oil has been drained, combine gasket and drain bolt, and tightly secure drain bolt, so that it will not loosen and cause leaks.

\* Use cloth to fully wipe off any oil attached to bolt and equipment.

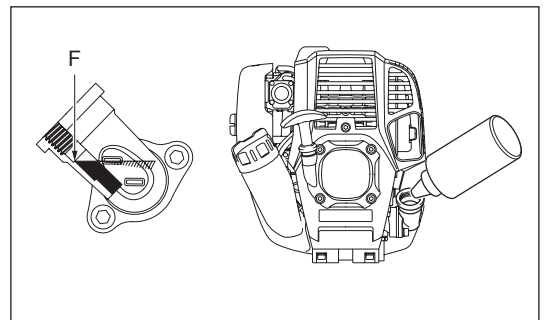
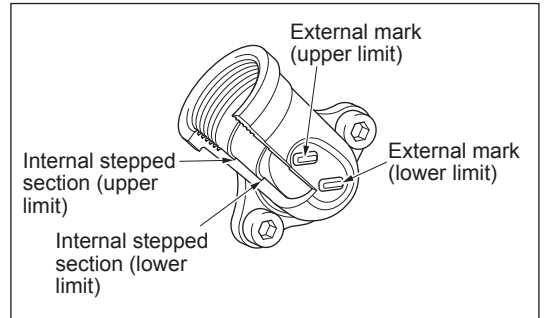


### Alternative draining method

Remove oil cap, tilt the equipment toward oil filler hole, and drain out oil. Collect oil in container.



- 5) Set the engine level, and gradually fill up to upper limit mark **(F)** with new oil.
- 6) After filling, tightly secure oil cap, so that it will not loosen and cause leaks. If oil cap is not tightly secured, it may leak.



### POINTS ON OIL

- Never discard replaced engine oil in garbage, earth or sewage ditch. Disposal of oil is regulated by law. In disposal, always follow the relevant laws and regulations. For any points remaining unknown, contact Authorized Service Agent.
- Oil will deteriorate even when it is kept unused. Perform inspection and replacement at regular intervals (replace with new oil every 6 months).



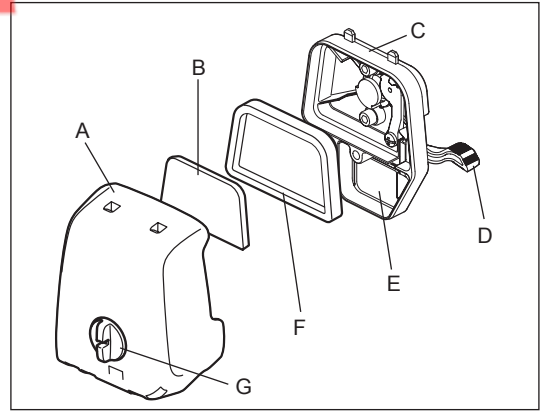
## CLEANING OF AIR CLEANER



**DANGER: INFLAMMABLES STRICTLY PROHIBITED**

**Interval of cleaning and inspection: Daily (every 10 operating hours)**

- Turn the choke lever **(D)** to the full close side, and keep the carburetor off from dust or dirt.
- Loosen the fixing bolt **(G)**.
- Remove the air cleaner cover **(A)** by pulling its bottom side.
- Remove the elements **(B) (F)** and tap them to remove dirt.
- If the elements are heavily contaminated:  
Remove the elements, immerse them in warm water or in water-diluted neutral detergent, and dry them completely. Do not squeeze or rub them when washing.
- Before attaching the elements, be sure to dry them completely. Insufficient drying of the elements may lead to difficult startup.
- Wipe out oil adhering around the air cleaner cover and the breather part **(E)** with waste cloth.
- Fit the element (sponge) **(B)** into the element (felt) **(F)**.  
Fit the elements into the plate **(C)** so that the sponge faces the air cleaner cover.
- Immediately attach the cleaner cover and tighten it with fixing bolts. (In remounting, first place the upper claw, and then the lower claw.)



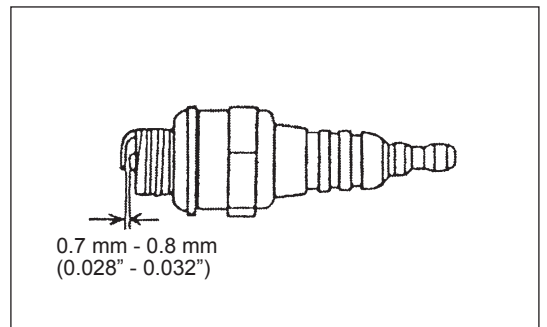
### NOTICE:

- Clean the elements several times a day, if excessive dust adheres to it. Dirty elements reduce engine power and make starting engine difficult.
- Remove oil on the elements. If operation continues with the elements remaining not cleared of oil, oil in the air cleaner may fall outside, resulting in contamination of the environment.
- Do not put the elements on the ground or dirty place. Otherwise they pick up dirt or debris and it may damage the engine.
- Never use fuel for cleaning the elements. Fuel may damage them.

## CHECKING THE SPARK PLUG

- Only use the supplied universal wrench to remove or to install the spark plug.
- The gap between the two electrodes of the spark plug should be 0.7 - 0.8 mm (0.028" - 0.032"). If the gap is too wide or too narrow, adjust it. If the spark plug is clogged or contaminated, clean it thoroughly or replace it.

**CAUTION:** Never touch the spark plug connector while the engine is running (danger of high voltage electric shock).



## CLEANING OF FUEL FILTER

### WARNING: INFLAMMABLES STRICTLY PROHIBITED

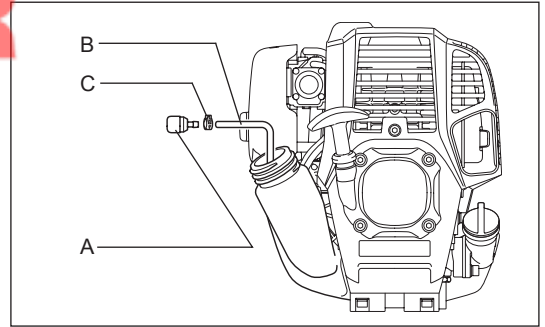
Interval of cleaning and inspection: Monthly (every 50 operating hours)

#### Suction head in the fuel tank

Check the fuel filter (A) periodically. To check the fuel filter, follow the steps below:

- (1) Remove the fuel tank cap, drain the fuel to empty the tank. Check the tank inside for any foreign materials. If any, remove them.
- (2) Pull out the suction head by using a wire hook through the tank opening.
- (3) If the fuel filter clogged slightly, clean it. To clean it, gently shake and tap it in fuel. To avoid damage, do not squeeze or rub it. The fuel used for the cleaning must be disposed in accordance with the method specified by regulations in your country.  
If the fuel filter became hard or heavily clogged up, replace it.
- (4) After checking, cleaning or replacing, insert the fuel filter into the fuel pipe (B) and fix it by the hose clamp (C). Push the fuel filter in all the way to the bottom of the fuel tank.

Clogged or damaged fuel filter can cause insufficient fuel supply and reduce engine power. Replace the fuel filter at least quarterly to ensure satisfactory fuel supply to the carburetor.



## REPLACEMENT OF FUEL PIPE

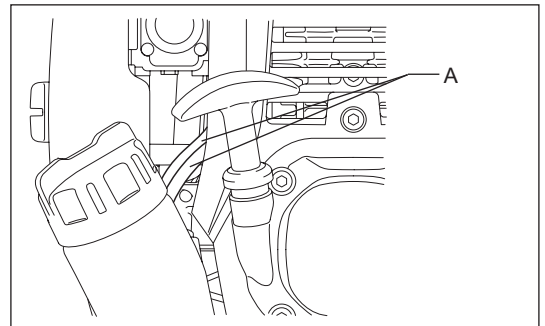
### CAUTION: INFLAMMABLES STRICTLY PROHIBITED

Interval of cleaning and inspection: Daily (every 10 operating hours)

Replacement: Annually (every 200 operating hours)

Replace the fuel pipe (A) every year, regardless of operating frequency. Fuel leakage may lead to fire.

If any leakage is detected during inspection, replace the fuel pipe immediately.



## INSPECTION OF BOLTS, NUTS AND SCREWS

- Retighten loose bolts, nuts, etc.
- Check for fuel and oil leakage.
- Replace damaged parts with new ones for safety operation.

## CLEANING OF PARTS

- Keep the engine always clean.
- Keep the cylinder fins free of dust or dirt. Dust or dirt adhering to the fins will cause piston seizure.

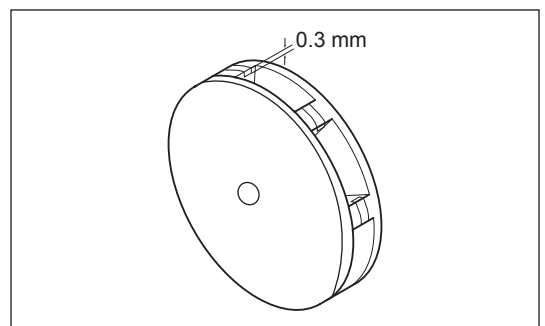
## REPLACEMENT OF GASKETS AND PACKINGS

In reassembling after the engine is dismantled, be sure to replace the gaskets and packings with new ones.

Any maintenance of adjustment work that is not included and described in this manual is only to be performed by Authorized Service Agents.

## INSPECTING SPROCKET

Check the sprocket for wear every 50 hours of use. Replace it if the wear marks becomes 0.3 mm or deeper.



## Sharpening the saw chain



### Sharpen the saw chain when:

- Mealy sawdust is produced when damp wood is cut;
- The chain penetrates the wood with difficulty, even when heavy pressure is applied;
- The cutting edge is obviously damaged;
- The saw pulls to the left or right in the wood. The reason for this behavior is uneven sharpening of the saw chain, or damage to one side only.

### Sharpen the saw chain frequently, but remove only a little material each time.

Two or three strokes with a file are usually sufficient for routine reshaping. When the saw chain has been reshaped several times, have it sharpened in MAKITA authorized service center.

### Sharpening criteria:

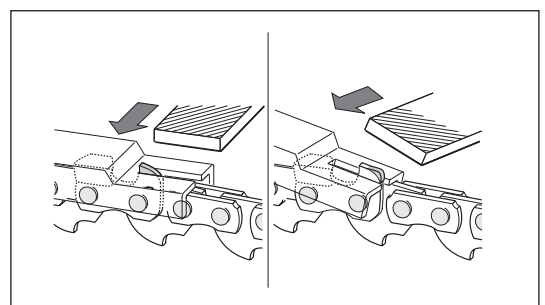
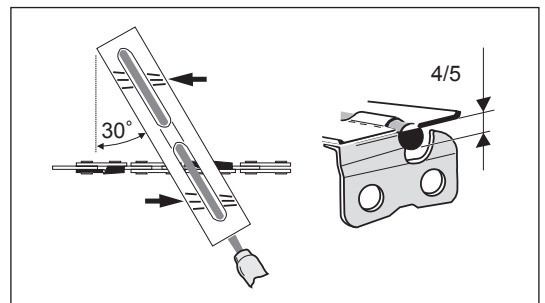
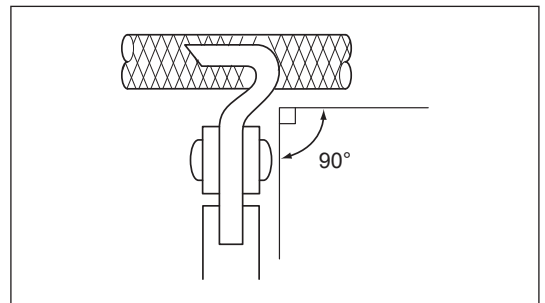
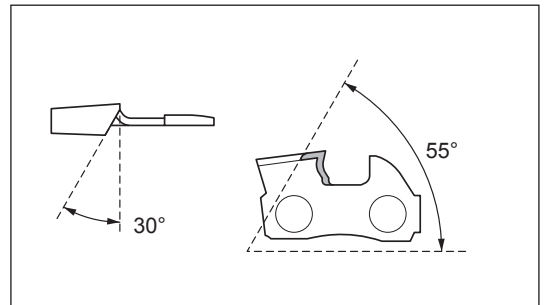
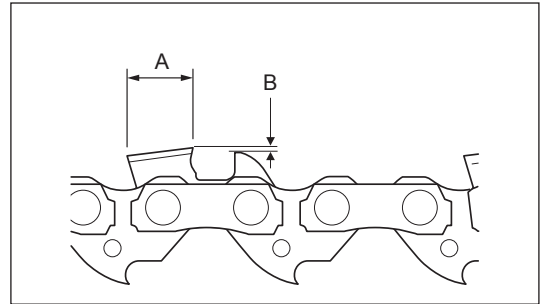
- All cutter length (**A**) must be equal. Cutters of different length prevent the chain from running smoothly, and may cause the chain to break.
- The chip thickness is determined by the distance between the depth gauge (round nose) and the cutting edge (**B**).
- The best cutting results are obtained with following distance between cutting edge and depth gauge.  
Chain blade 91VXL: 0.64 mm (0.025")

**⚠ WARNING:** An excessive distance increases the risk of kick-back.

- The sharpening angle of 30° must be the same on all cutters. Differences in angle cause the chain to run roughly and unevenly, accelerate wear, and lead to chain breaks.
- The side plate angle of the cutter is determined by the depth of penetration of the round file. If the specified file is used properly, the correct side plate angle is produced automatically.
- Proper angle for each saw chain are as follows:  
Chain blade 91VXL: 55°

### File and file guiding

- Use a special round file (optional accessory) for saw chains to sharpen the chain. Normal round files are not suitable.
- Diameter of the round file for each saw chain is as follows:  
Chain blade 91VXL: 4.0 mm (5/32")
- The file should only engage the cutter on the forward stroke. Lift the file off the cutter on the return stroke.
- Sharpen the shortest cutter first. Then the length of this shortest cutter becomes the standard for all other cutters on the saw chain.
- Guide the file as shown.
- The file can be guided more easily if a file holder (optional accessory) is employed. The file holder has markings for the correct sharpening angle of 30° (align the markings parallel to the saw chain) and limits the depth of penetration (to 4/5 of the file diameter).
- After sharpening the chain, check the height of the depth gauge using the chain gauge tool (optional accessory).
- Remove any projecting material, however small, with a special flat file (optional accessory).
- Round off the front of the depth gauge again.

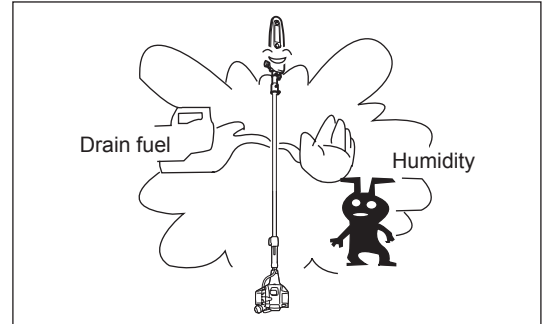




**WARNING: When draining the fuel, be sure to stop the engine and confirm that the engine cools down. The engine is still hot just after stopping the engine. Wait until it cools down, otherwise it may cause burns or fire.**

When the machine is kept out of operation for a long time, perform the followings:

- Drain up fuel from the fuel tank and carburetor according to the following procedure:
  - 1) Remove the fuel tank cap, and drain fuel completely. If there is any foreign matter remaining in the fuel tank, remove it completely.
  - 2) Pull out the fuel filter from the refill port using a wire.
  - 3) Push the primer pump until fuel is drained from there, and drain fuel coming into the fuel tank.
  - 4) Reset the filter to the fuel tank, and securely tighten the fuel tank cap.
  - 5) Then, continue to operate the engine until it stops.
- Drain up the chain oil.
- Remove the saw chain and the guide bar.
- Clean the guide groove of the guide bar.
- Lubricate slightly on the saw chain and the guide bar.
- Remove the spark plug, and drip several drops of engine oil through the spark plug hole.
- Gently pull the starter handle so that engine oil will spread over the engine, and attach the spark plug.
- In general, store the machine in horizontal position. If it is not possible, place the machine as the motor unit comes below the cutting tool. Otherwise engine oil may leak from inside.
- Always pay attention to storing the machine in a safe place to prevent machine damage and personal injury.
- Keep the drained fuel in a special container in a well-ventilated shade.



**Attention after long-time storage**

- Before startup after long-time storage, be sure to replace engine oil (refer to "REPLACEMENT OF ENGINE OIL"). Oil will deteriorate while the machine is kept out of operation.

**Fault location**

Fault	System	Observation	Cause
Engine not starting or with difficulty	Ignition system	Ignition spark O.K.	Fault in fuel supply or compression system, mechanical defect
		No ignition spark	STOP-switch operated, wiring fault or short circuit, spark plug or connector defective, ignition module faulty
	Fuel supply	Fuel tank filled	Incorrect choke position, carburetor defective, fuel supply line bent or blocked, fuel dirty
	Compression	No compression when pulled over	Cylinder bottom gasket defective, crankshaft seals damaged, cylinder or piston rings defective or improper sealing of spark plug
Warm start problems	Mechanical fault	Starter not engaging	Broken starter spring, broken parts inside of the engine
		Tank filled ignition spark existing	Carburetor contaminated, have it cleaned
Engine starts but dies	Fuel supply	Tank filled	Incorrect idling adjustment, carburetor contaminated Fuel tank vent defective, fuel supply line interrupted, cable or STOP-switch faulty
Insufficient performance	Several systems may simultaneously be affected	Engine idling poor	Air filter contaminated, carburetor contaminated, muffler clogged, exhaust duct in the cylinder clogged



Item	Operating time	Before	After	Daily	25h	50h	200h	Shutdown/ rest
		operation	lubrication	(10h)				
Whole unit	Visually inspect	○						
Engine oil	Inspect	○						
	Replace					○*1		
Tightening parts (bolt, nut)	Inspect	○						
Fuel tank	Inspect	○						
	Drain fuel							○*3
Throttle control	Check function	○	○					
Stop switch	Check function	○	○					
Idle speed	Inspect/adjust			○				
Air cleaner	Clean			○				
Ignition plug	Inspect			○				
Cooling air duct	Clean/inspect			○				
Fuel pipe	Inspect			○				
	Replace						◎*2	
Fuel filter	Clean/replace					○		
Valve clearance (intake valve and exhaust valve)	Inspect/adjust						◎*2	
Engine overhaul							◎*2	
Carburetor	Drain fuel							○*3
Chain oil feed port	Clean			○				
Guide bar	Clean the groove and the chain oil feed port			○				
	Inspect			○				
	Supply grease			○				
Gear case	Supply grease				○			
Sprocket	Inspect					○		
Saw chain	Replace or ask for sharpening							○*4

\*1 Perform initial replacement after 20h operation.

\*2 For the 200 operating hour inspection, request authorized service center.

\*3 After emptying the fuel tank, continue to run the engine and drain fuel in the carburetor.

\*4 If required.

## TROUBLESHOOTING



Before making a request for repairs, check a trouble for yourself. If any abnormality is found, control your machine according to the description of this manual. Never tamper or dismount any part contrary to the description. For repairs, contact Authorized Service Agent or local dealership.

State of abnormality	Probable cause (malfunction)	Remedy
Engine does not start	Failure to operate primer pump.	Push 7 to 10 times.
	Low pulling speed of starter rope.	Pull strongly.
	Lack of fuel.	Feed fuel.
	Clogged fuel filter.	Clean it.
	Disconnected fuel tube.	Connect fuel tube properly.
	Bent fuel tube.	Straighten fuel tube.
	Deteriorated fuel.	Deteriorated fuel makes starting more difficult. Replace with new fuel. (Recommended replacement: 1 month).
	Excessive suction of fuel.	Set throttle control to medium or high speed, and pull starter handle until engine starts. Once engine starts, saw chain starts rotating. Pay full attention to saw chain. If engine still does not start, remove spark plug, dry the electrode, and reassemble them as they originally were. Then, start as specified.
	Detached plug cap.	Attach securely.
	Contaminated spark plug.	Clean it.
	Abnormal clearance of spark plug.	Adjust clearance.
	Other abnormality of spark plug.	Replace it.
	Abnormal carburetor.	Make request for inspection and maintenance.
	Starter rope cannot be pulled.	Make request for inspection and maintenance.
Abnormal drive system.	Make request for inspection and maintenance.	
Engine stops soon Engine speed does not increase	Insufficient warm-up.	Perform warm-up operation.
	Choke lever is set to "CLOSE" although engine is warmed up.	Set to "OPEN".
	Clogged fuel filter.	Clean it.
	Contaminated or clogged air cleaner.	Clean it.
	Abnormal carburetor.	Make request for inspection and maintenance.
	Abnormal drive system.	Make request for inspection and maintenance.
Chain oil is not supplied.	The oil tank is empty.	Fill the oil tank with chain oil.
	The chain oil feed port is dirty.	Clean the chain oil feed port on the unit and guide bar.
	The adjusting screw of the chain oil feed rate is improperly set.	Set the adjusting screw properly.
Saw chain does not rotate ↓ Stop engine immediately	The guide bar is bent or damaged.	Replace the guide bar.
	Foreign matter caught by saw chain.	Remove foreign matter while the engine stopped.
	Abnormal drive system.	Make request for inspection and maintenance.
The equipment vibrates abnormally ↓ Stop engine immediately	Broken, bent or worn guide bar.	Replace guide bar.
	Loosened saw chain.	Adjust the saw chain tension.
	Abnormal drive system.	Make request for inspection and maintenance.
Saw chain does not stop ↓ Stop engine immediately	High idling rotation.	Adjust idle speed.
	Throttle control wire problem.	Ask service center to replace it.
	Abnormal drive system.	Make request for inspection and maintenance.
Engine does not stop ↓ Run engine at idling, and set choke lever to CLOSE	Detached connector to the I-O switch.	Attach securely.
	Abnormal electric system.	Make request for inspection and maintenance.

When the engine does not start after warm-up operation:

If there is no abnormality found for the checked items, open the throttle by about 1/3 and start the engine.



Дякуємо Вам за покупку бензинової телескопічної пилки для живоплоту МАКІТА. Ми із задоволенням рекомендуємо Вам бензинову телескопічну пилку для живоплоту МАКІТА, що є результатом тривалої програми розвитку, накопичення багаторічного знання та досвіду. Будь ласка, прочитайте цю брошуру, оскільки в ній наведені детальні вказівки щодо роботи інструмента, які дозволять йому продемонструвати відмінні робочі характеристики. Це допоможе Вам досягти найкращого результату експлуатації Вашої бензинової телескопічної пилки для живоплоту МАКІТА.



## Зміст

## Сторінка

Позначення.....	27
Інструкції з техніки безпеки .....	28
Технічні дані .....	34
Позначення частин .....	35
Монтаж та налаштування.....	36
Перед початком роботи .....	39
Указівки щодо роботи та порядку зупинення .....	41
Робота.....	43
Указівки щодо технічного обслуговування .....	43
Зберігання .....	49

## ПОЗНАЧЕННЯ

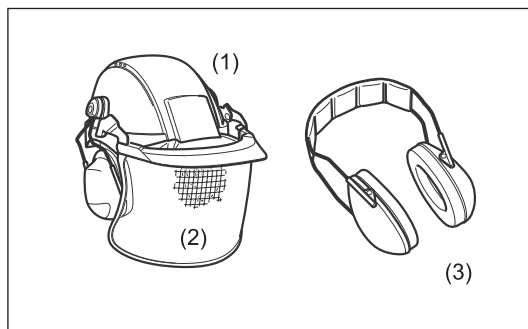
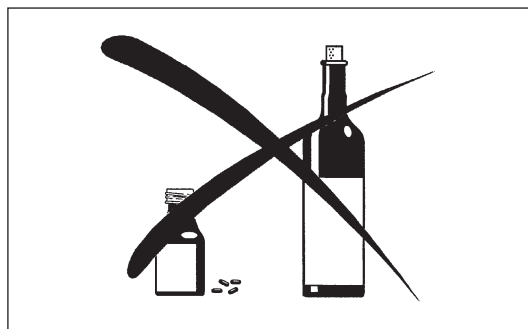
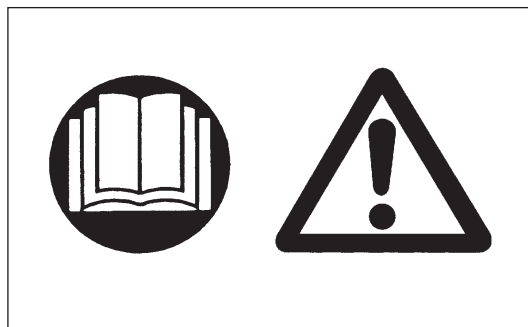
Під час читання цієї інструкції з експлуатації Ви зустрінете такі позначення.

	Прочитайте цю інструкцію з експлуатації та дотримуйтесь наведених у ній указівок та попереджень стосовно техніки безпеки!		Не використовуйте відкритий вогонь!
	Будьте особливо уважними та обережними!		Мастило для ланцюга.
	Надягайте захисний шолом та засоби захисту зору та слуху.		Не допускайте сторонніх осіб та домашніх тварин до зони роботи!
	Надягайте захисні рукавиці!		Пальне (бензин)
	Надягайте міцне взуття з підошвами, що не ковзають.		Ручний запуск двигуна
	Перевіряйте, щоб у радіусі 15 м (50 футів) від пристрою не було сторонніх осіб та/або електричних дротів (а також гілля, через яке ці дроти можуть проходити). Ризик ураження електричним струмом та/або отримання травм.		Перша допомога
	Ніколи не тримайте пилку для живоплоту під кутом більшим за 60°.		УВІМКНЕННЯ/ЗАПУСК
	Швидкість ланцюга.		ВИМКНЕННЯ/ЗУПИНЕННЯ
	Заборонено!		Аварійне зупинення
	Не паліть!		



## Загальні положення

- Для того щоб забезпечити належну роботу, користувач повинен прочитати цю інструкцію з експлуатації для ознайомлення із правилами поводження з пристроєм. Недостатньо проінформовані користувачі піддають себе та оточуючих людей небезпеці через невідповідне поводження з інструментом.
- Рекомендується передавати пристрій виключно тим особам, які вже мають досвід роботи із цим пристроєм. Разом із пристроєм слід також завжди передавати й інструкцію з експлуатації.
- Особам, які користуються пристроєм вперше, слід звернутися до дилера, щоб отримати основні вказівки та ознайомитися із принципами керування пилою з механічним приводом.
- До роботи з цим пристроєм не допускаються діти та молоді особи віком до 18 років. Разом із тим, особам, які досягли 16-річного віку, дозволяється використовувати інструмент виключно під наглядом кваліфікованого оператора у навчальних цілях.
- Будьте надзвичайно уважними та обережними під час використання цього пристрою.
- Користуйтеся цим пристроєм, тільки перебуваючи у належній фізичній формі. Усю роботу виконуйте спокійно та обережно. Користувач несе відповідальність за інших.
- Ніколи не використовуйте пристрій після вживання алкоголю чи лікарських засобів, або якщо Ви почуваетесь втомленим чи хворим.
- Ніколи не намагайтеся змінити конструкцію пристрою.
- Національні норми можуть обмежувати використання пристрою. Дотримуйтеся чинних у Вашій країні норм законодавства щодо належного використання пилок для живоплоту та ланцюгових пил.

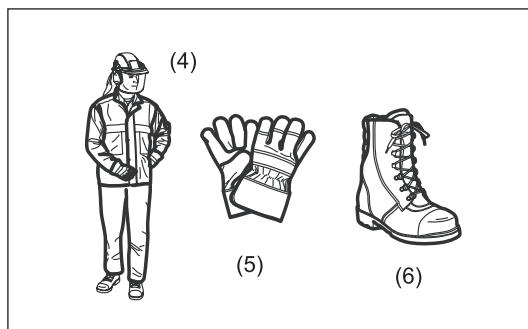


## Використання інструмента за призначенням

Цей пристрій призначений виключно для обрізання гілок і сучків діаметром менше 15 см. Ніколи не використовуйте цей пристрій з іншою метою. Експлуатація пристрою не за призначенням може призвести до серйозних травм.

## Засоби індивідуального захисту

- Одяг, який Ви носите, повинен бути функціональним та відповідним, тобто він має щільно прилягати до тіла, проте не заважати роботі. Заборонено надягати біжутерію або одяг, який може заплутатись у гілках або кущах.
- Для запобігання травмам голови, очей, рук або ніг, а також для захисту органів слуху під час роботи з пристроєм слід використовувати захисний спецодяг та засоби захисту, зазначені нижче.
- Завжди надягайте захисний шолом, якщо є небезпека падіння предметів. Захисний шолом (1) слід регулярно перевіряти на наявність пошкоджень та замінювати не рідше, ніж кожні 5 років. Користуйтеся тільки рекомендованими захисними шоломами.
- Захисна маска (2) шолому (або захисні окуляри) захищає обличчя від уламків та каміння, що розлітаються. Під час роботи завжди надягайте захисні окуляри або захисну маску, щоб запобігти травмам очей.
- Надягайте відповідні засоби захисту від шуму, щоб запобігти порушенням слуху (навушники (3), вушні втулки тощо).
- Робочий комбінезон (4) захищає Вас від каміння та уламків, що розлітаються. Ми наполегливо рекомендуємо надягати робочий комбінезон.
- Спеціальні рукавиці (5) із товстої шкіри є частиною рекомендованого обладнання, їх завжди слід використовувати під час роботи із пристроєм.
- При використанні пристрою завжди надягайте міцне взуття (6) із підосшвами, що не ковзають. Це дозволить запобігти травмам і забезпечить стійке положення.
- Під час роботи з пиляльним ланцюгом або під час налаштування натягу ланцюга надягайте захисні рукавиці. Пиляльний ланцюг можете серйозно травмувати руки.





## Безпека робочого місця

- **⚠ Небезпека:** Тримайте пилку для живоплоту на відстані щонайменше 15 м від електричних дротів та кабелів зв'язку (це також стосується гілля, через яке вони можуть проходити). Контакт пилки для живоплоту з високовольтними лініями може призвести до смерті або серйозної травми. Перш ніж починати роботу, зверніть увагу на лінії високої напруги та на електричні огорожі, що знаходяться поблизу.
- Використовуйте пилку для живоплоту тільки за умов денного освітлення та належної видимості. Забороняється використовувати пилку для живоплоту в темний час доби або під час туману.
- Запускайте двигун та використовуйте інструмент тільки поза приміщенням у добре вентиляваному місці. Робота в обмеженому або недостатньо вентиляваному місці може призвести до смерті внаслідок задухи або отруєння чадним газом.
- Під час роботи ніколи не стійте на нестійкій, слизькій або похилій поверхні. У холодну пору року будьте обережними, щоб не впасти на снігу або на льоді, а також подбайте про стійку опору на ноги.
- Під час роботи сторонні особи та тварини повинні знаходитися на відстані не менш ніж 15 м від пилки для живоплоту. У разі наближення іншої особи або тварини слід негайно зупинити двигун.
- Перш ніж починати використовувати пристрій, слід звертати увагу на дротяну огорожу, стіни або інші тверді предмети, які можуть знаходитися поблизу місця роботи. Вони можуть пошкодити пиляльний ланцюг.
- **⚠ УВАГА:** У процесі використання цього інструмента може утворюватися пил, що містить хімікати, які можуть призвести до ураження дихальних шляхів або спричинити інші хвороби. Деякі з таких хімікатів містяться у пестицидах, інсектицидах, добривах та гербіцидах. Ризик негативного впливу таких речовин залежить від частоти виконання Вами такого виду роботи. Щоб зменшити вплив таких хімічних речовин: слід працювати в добре вентиляваному місці та використовувати рекомендовані засоби індивідуального захисту, наприклад пилозахисні маски, спеціально призначені для фільтрації мікроскопічних часток.

## Уведення в експлуатацію

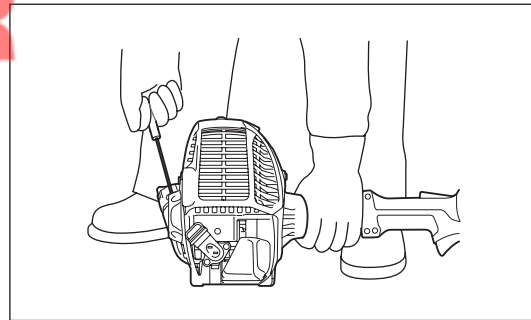
- Перш ніж проводити монтаж або налаштування пристрою, зупиняйте двигун та знімайте ковпачок свічки запалювання.
- Перш ніж запускати двигун, перевіряйте пристрій на наявність ушкоджень, послаблених гвинтів/гайок та переконайтеся, що інструмент зібраний належним чином. Якщо пиляльний ланцюг затупився, заточіть його. Якщо пиляльний ланцюг деформований або пошкоджений, його необхідно замінити. Перевіряйте належне функціонування усіх важелів керування та вимикачів. Чистьте ручки та витирайте їх насухо.
- Ніколи не намагайтеся запустити двигун, якщо пристрій пошкоджений або зібраний неповністю. Інакше це може призвести до серйозних травм.
- Належним чином налаштуйте натяг ланцюга. За необхідності додайте мастило для ланцюга.

## Запуск двигуна

- Будь ласка, перевіряйте, щоб поблизу не було дітей та інших людей або тварин.
- Перш ніж запускати двигун, надягайте засоби індивідуального захисту.
- Перевіряйте, щоб насадка була встановлена відповідним чином, та перевіряйте належне функціонування важеля керування та важеля блокування.
- Якщо пиляльний ланцюг продовжує рухатись, коли пристрій працює на холостому ході, зупиніть двигун та зменште швидкість холостого ходу. У разі виникнення сумнівів щодо налаштування звертайтеся до авторизованого сервісного центру. Перевіряйте, щоб ручки були чистими та сухими, та перевіряйте функціональність пускового перемикача.

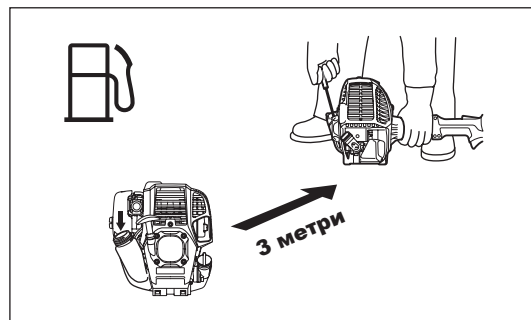
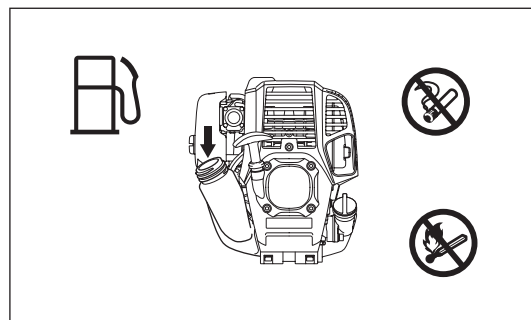
Запускайте двигун тільки відповідно до інструкцій.

- Не використовуйте інші способи запуску двигуна!
- Розташуйте інструмент на твердому ґрунті. Слідкуйте за рівновагою та стійкою опорою на ноги.
- Тягнувши за ручку стартера, надійно притискайте пристрій до землі лівою рукою. Ніколи не наступайте на приводний вал.
- Перш ніж запустити двигун, перевіряйте, щоб поблизу не було жодної сторонньої особи або тварини.
- Під час запуску двигуна тримайтеся якнайдалі від пиляльного ланцюга та шини, а також слідкуйте за тим, щоб вони не чіпали інші об'єкти та не торкалися землі. Під час запуску пиляльний ланцюг може раптово зрушити з місця, і це може спричинити серйозні травми або призвести до пошкодження самого ланцюга та/або іншого майна.
- У разі виникнення будь-яких проблем із двигуном його слід негайно вимикати.
- Якщо пиляльний ланцюг наштовхнувся на каміння або на інші тверді предмети, негайно вимикайте двигун та оглядайте пристрій.
- Користуйтеся пристроєм тільки із приєднаним плечовим ременем, який треба відповідним чином налаштувати, перш ніж запускати пристрій. Плечовий ремінь необхідно відрегулювати відповідно до розмірів користувача інструмента, щоб запобігти появі втоми під час роботи. Ніколи не тримайте інструмент під час роботи однією рукою.
- Надягайте плечовий ремінь тільки тоді, коли двигун працює на холостому ході. Під час роботи надійно утримуйте пристрій праворуч від себе.
- Під час роботи необхідно використовувати всі захисні пристрої та щитки, що входять до комплексу інструмента.
- Ніколи не користуйтеся двигуном із пошкодженим глушителем.
- За винятком надзвичайних ситуацій, ніколи не роняйте та не кидайте пристрій на землю, оскільки це може завдати йому серйозної шкоди.



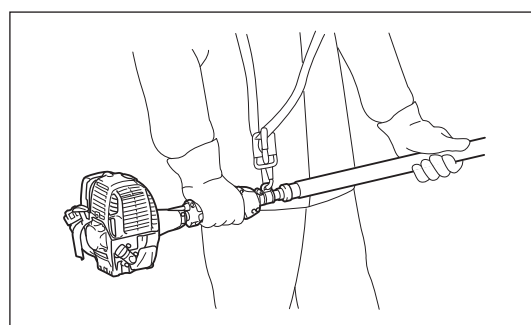
## Заправлення

- Під час заправлення вимикайте двигун, тримайтеся подалі від відкритого вогню та не паліть.
- Уникайте контакту шкіри із мінеральними нафтопродуктами. Не вдихайте випарування пального. Під час заправлення завжди надягайте захисні рукавиці. Регулярно замінійте та чистьте захисний одяг.
- Будьте обережними, щоб не розлити пальне або мастило, оскільки це призведе до забруднення ґрунту (захист довкілля). Якщо Ви розлили пальне на пристрій, одразу ж очистіть його.
- Уникайте контакту пального з одягом. Негайно замінійте одяг, якщо на нього потрапило пальне (щоб запобігти займанню одягу).
- Регулярно перевіряйте кришку паливного баку, аби переконатися, що вона надійно закривається та не пропускає рідину.
- Надійно затягуйте кришку паливного баку. Перед увімкненням двигуна переходьте в інше місце (щонайменше на 3 метри від місця заправлення).
- Ніколи не заправляйте пристрій у закритому приміщенні. Випарування пального збираються на рівні підлоги (небезпека вибуху).
- Перевозить та зберігайте пальне тільки у рекомендованих контейнерах. Слідкуйте за тим, щоб діти не мали доступу до пального, яке Ви зберігаєте.



## Порядок роботи

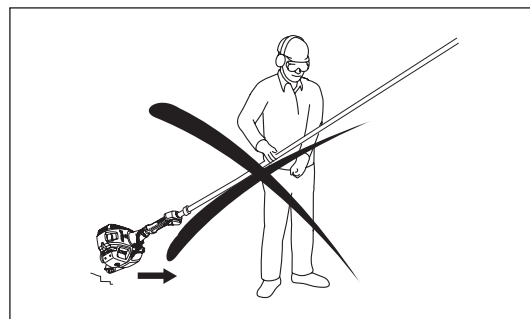
- У випадку надзвичайної ситуації негайно вимикайте двигун.
- Якщо під час експлуатації інструмента Ви помітите будь-які непередбачені зміни у характері його роботи (наприклад, шум або вібрацію), зупиняйте двигун. Не використовуйте пристрій, доки причина несправності не буде знайдена та усунена.
- Пиляльний ланцюг продовжуватиме рухатись протягом короткого часу, після того як Ви відпустите важіль постачання пального. Не торкайтеся пиляльного ланцюга у цей час.
- Тримайтеся за передню ручку лівою рукою, а за задню ручку – правою рукою, навіть якщо Ви лівша. Обхоплюйте ручки пальцями зверху та знизу.
- Ніколи не намагайтеся керувати інструментом, тримаючи його однією рукою. Утрата контролю може призвести до серйозних або навіть смертельних травм. Щоб зменшити ризик отримання травми, не наближайте ріжучу частину до рук та ніг.
- Не тягніться. Завжди стійте на ногах та тримайте рівновагу.
- Будьте уважними, щоб не спіткнутися, оскільки на місці роботи можуть знаходитися приховані перешкоди, наприклад пні, коріння або канави. Прибирайте сторонні предмети та гілля, що впало.
- Якщо пристрій зазнав серйозного удару або впав, перш ніж продовжувати роботу слід перевірити його стан. Перевіряйте паливну систему на наявність витоків пального, а також належне функціонування усіх важелів керування та засобів безпеки. Якщо Ви виявили пошкодження або якщо у Вас виникли будь-які сумніви, звертайтеся до авторизованого сервісного центру Makita для проведення огляду інструмента та його ремонту.
- Не торкайтеся редуктора. Він стає гарячим під час роботи.
- Якщо Ви залишаєте пристрій навіть на короткий час, завжди зупиняйте двигун. Якщо залишити пристрій без нагляду із увімкненим двигуном, ним можуть скористатися сторонні особи, що може призвести до серйозного нещасного випадку.



- Не забувайте про захист довкілля. Не використовуйте важіль постачання пального занадто активно; це допоможе зменшити рівень шуму та забруднення навколишнього середовища. Належним чином налаштуйте роботу карбюратора.
- Під час роботи та після її закінчення не кладіть гарячий пристрій на суху траву або займисті матеріали.
- Не піднімайте свою праву руку вище рівня плечей.
- Під час роботи уникайте контакту пиляльного ланцюга з твердими перешкодами, наприклад камінням або цвяхами. Будьте особливо обережними, коли підрізаете гілля поблизу стін, дротяної огорожі або інших подібних об'єктів.
- У разі застрягання гілля у пиляльному ланцюгу завжди зупиняйте двигун та знімайте ковпачок свічки запалювання. Інакше непередбачений запуск може призвести до серйозних травм.
- У разі засмічення пиляльного ланцюга завжди зупиняйте двигун та знімайте ковпачок свічки запалювання.
- Збільшення швидкості обертання двигуна із заблокованим пиляльним ланцюгом призведе до підвищення навантаження та до пошкодження двигуна та/або зчеплення.
- Перш ніж починати різати гілля, переконайтеся, що після падіння воно не заблокує шлях відходу. Перш за все, прибирайте з місця роботи усі перешкоди, наприклад гілля. Усі інструменти та речі слід прибрати з путі відходу у безпечне місце.
- Перед тим як починати різати гілля, визначте напрямок його падіння, беручи до уваги його стан, наявність дерев поблизу, напрямок вітру тощо. Потім прорахуйте напрямок падіння гілля та напрямок його відскоку після падіння на землю.
- Ніколи не тримайте пилку для живоплоту під кутом більшим за 60°. Інакше об'єкти, що падають, можуть вдарити оператора та завдати серйозних травм. Ніколи не стійте під гілкою, яку Ви ріжете.
- Звертайте увагу на зламане або зігнуте гілля. Під час різання воно може раптово відскочити назад та травмувати Вас.
- Перш ніж різати ту чи іншу гілку, відріжте навкруг неї менші гілки та видаліть листя. Інакше пилка може в них застрягти.
- Щоб запобігти заклинюванню пилки у пропилі, не відпускайте важіль постачання пального, доки не витягнете пилку з пропилю.
- Якщо пиляльний ланцюг заклинило у пропилі, негайно зупиніть двигун, обережно посуňte гілку, щоб відкрити пропилю, та вивільніть пилку.
- Уникайте віддачі (обертального імпульсу, спрямованого до оператора). Щоб запобігти віддачі, ніколи не використовуйте передню частину шини для поглиблення розпилю. Завжди слідкуйте за положенням передньої частини шини.
- Постійно перевіряйте натяг ланцюга. Перш ніж перевіряти або налаштовувати натяг ланцюга, зупиняйте двигун та знімайте ковпачок свічки запалювання. У разі недостатнього натягу ланцюга його слід збільшити.
- Експлуатуйте пристрій, створюючи якомога менше шуму та забруднення. Зокрема, перевіряйте належне налаштування карбюратора.
- Ніколи не стійте на сходах під час роботи з пристроєм.
- Ніколи не залізайте на дерева для виконання робіт за допомогою пристрою.
- Перш ніж різати, почекайте, поки ланцюг досягне своєї повної робочої швидкості.
- Відпочивайте, щоб не допустити втрати контролю внаслідок перевтомлення. Ми рекомендуємо робити паузу на 10–20 хвилин після кожної години роботи.

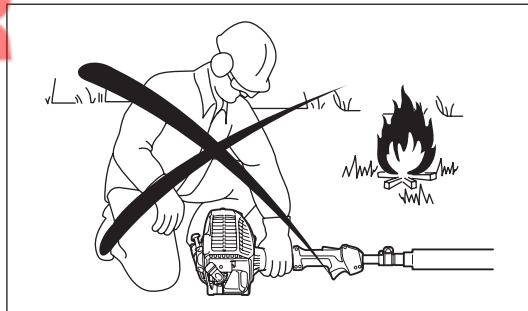
## Транспортування

- Перед транспортуванням пристрою зупиняйте двигун та знімайте ковпачок свічки запалювання.
- Під час транспортування кришка шини завжди повинна бути встановлена.
- Завжди використовуйте захисні засоби пристрою, що входить до комплекту постачання.
- Переносьте його у горизонтальному положенні, тримаючи за вал. Тримайте гарячий глушитель подалі від тіла.
- У разі транспортування в автомобілі пристрій слід належним чином зафіксувати, щоб не допустити його перекидання. Якщо цього не зробити, може статися витікання пального, пошкодження пристрою або інших предметів, що знаходяться в автомобілі.
- Під час транспортування вимикайте двигун пристрою.
- Перевіряйте, щоб паливний бак був порожній.
- Дістаючи пристрій із транспортного засобу, ніколи не кидайте двигун на землю, оскільки це може завдати серйозної шкоди паливному баку.
- Під час переміщення не забувайте повністю піднімати пристрій над землю. Волочіння паливного баку є дуже небезпечним і призведе до його пошкодження та до витікання пального, що може спричинити пожежу.



## Інструкції щодо технічного обслуговування

- Пристрій слід ремонтувати тільки в нашому авторизованому сервісному центрі і завжди з використанням оригінальних запасних частин. Технічне обслуговування та ремонт, проведені неналежним чином, можуть призвести до скорочення терміну служби пристрою та до підвищення ризику виникнення нещасних випадків.
- Перед проведенням технічного обслуговування, ремонту або чищення пристрою слід вимкати двигун та знімати ковпачок свічки запалювання. Слід дочекатися, поки двигун охолоне.
- Щоб зменшити ризик займання, ніколи не здійснюйте технічне обслуговування пристрою та не зберігайте його поблизу вогню.
- Кожного разу під час роботи з пиляльним ланцюгом використовуйте захисні рукавиці.
- Завжди видаляйте з пристрою пил та бруд. Однак для цього ніколи не використовуйте газолін, бензин, розріджувач, спирт та подібні речовини. Недотримання цієї вимоги може призвести до втрати кольору та деформації пластикових компонентів пристрою або до появи на них тріщин.
- Після кожного використання пристрою слід затягувати всі гвинти та гайки, окрім регульовальних гвинтів.
- Слідкуйте за тим, щоб пиляльний ланцюг завжди був гострим. Якщо пиляльний ланцюг затупився і ріжуча здатність пристрою зменшилась, слід звертатися до авторизованого сервісного центру Makita з питання заточування або заміни пиляльного ланцюга.
- Не намагайтеся здійснювати технічне обслуговування або ремонт пристрою, що не описані в цій інструкції з експлуатації. Така робота повинна проводитися співробітниками авторизованого сервісного центру Makita.
- Регулярно чистьте пристрій та перевіряйте, чи міцно затягнуті всі гвинти та гайки.
- Завжди зберігайте пристрій у зачищеному приміщенні з порожнім паливним баком.



## Зберігання

- Готуючи до зберігання, пристрій слід ретельно почистити та провести його технічне обслуговування. Установіть кришку шини. Зніміть свічку запалювання. Коли двигун охолоне, злийте пальне та мастило для ланцюга.
- Зберігайте пристрій у сухому недоступному для дітей місці – на високій полиці або в зачищеному приміщенні.
- Забороняється зберігати пристрій, притуливши його до чогось, наприклад до стіни. Інакше він може несподівано впасти та травмувати Вас або інших осіб.

Дотримуйтеся всіх відповідних правил з техніки безпеки, виданих певними професійними асоціаціями та страховими компаніями. Жодним чином не змінюйте конструкцію цього пристрою, оскільки це ставить під загрозу Вашу безпеку.

Технічне обслуговування та ремонт, покладені на користувача, обмежуються діями, описаними в цій інструкції з експлуатації. Усі інші роботи повинні виконуватися співробітниками авторизованого сервісного центру. Використовуйте тільки оригінальні запасні частини та приладдя, випущені та поставлені компанією MAKITA.

Використання nereкомендованого приладдя та інструментів підвищує ризик виникнення нещасних випадків.

Компанія MAKITA не несе відповідальності за нещасні випадки або пошкодження, що сталися внаслідок використання будь-яких nereкомендованих насадок, кріпильних пристроїв для насадок або приладдя.

## Перша допомога

На випадок екстреної ситуації слід забезпечити, щоб аптечка знаходилася неподалік від місця роботи. Слід одразу ж поповнювати аптечку новими медичними засобами замість тих, що були використані.

## Викликаючи допомогу, надавайте таку інформацію:

- Місце нещасного випадку
- Що сталося
- Кількість поранених людей
- Тип поранень
- Ваше ім'я



## Вібрація

- Людина, яка має поганий кровообіг та постійно стикається з сильною вібрацією, може здобути порушення кровоносних судин або нервової системи. Вібрація може спричинити наведені нижче симптоми з боку пальців, рук або зап'ястя: "засинання" (оніміння), пощипування, біль, гострий біль, зміна шкіри або кольору шкіри. За наявності хоча б одного з цих симптомів слід обов'язково звернутися до лікаря!
- Щоб зменшити ризик отримання синдрому білих пальців, слід тримати пристрій та приладдя у належному стані та дбати про те, щоб руки під час роботи залишалися теплими.



---

## ДЕКЛАРАЦІЯ ПРО ВІДПОВІДНІСТЬ СТАНДАРТАМ ЄС

Ми, компанія Makita, як відповідальний виробник заявляємо, що зазначене нижче обладнання Makita:  
позначення обладнання: бензинова телескопічна пилка для живоплоту  
№ моделі/тип: EY2650H  
технічні характеристики: див. таблицю "ТЕХНІЧНІ ДАНІ"  
є серійним виробництвом та

**відповідає таким Європейським директивам:**  
2006/42/ЄС

виготовлене відповідно до таких стандартів або стандартизованих документів:  
EN/ISO11680

Технічна документація ведеться:

Makita International Europe Ltd., Technical Department,  
Michigan Drive, Tongwell, Milton Keynes, Bucks MK15 8JD, Англія

Номер сертифіката щодо проведення типових випробувань пилки для живоплоту на відповідність директивам ЄС:  
4813008.13001

Типові випробування на відповідність директиві ЄС 2006/42/ЄС були проведені:  
DEKRA Testing and Certification GmbH, Enderstraße 92b, 01277 Dresden, Німеччина  
Ідентифікаційний номер 2140

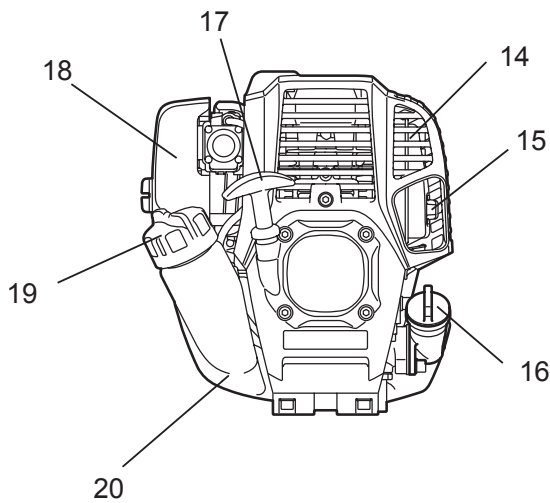
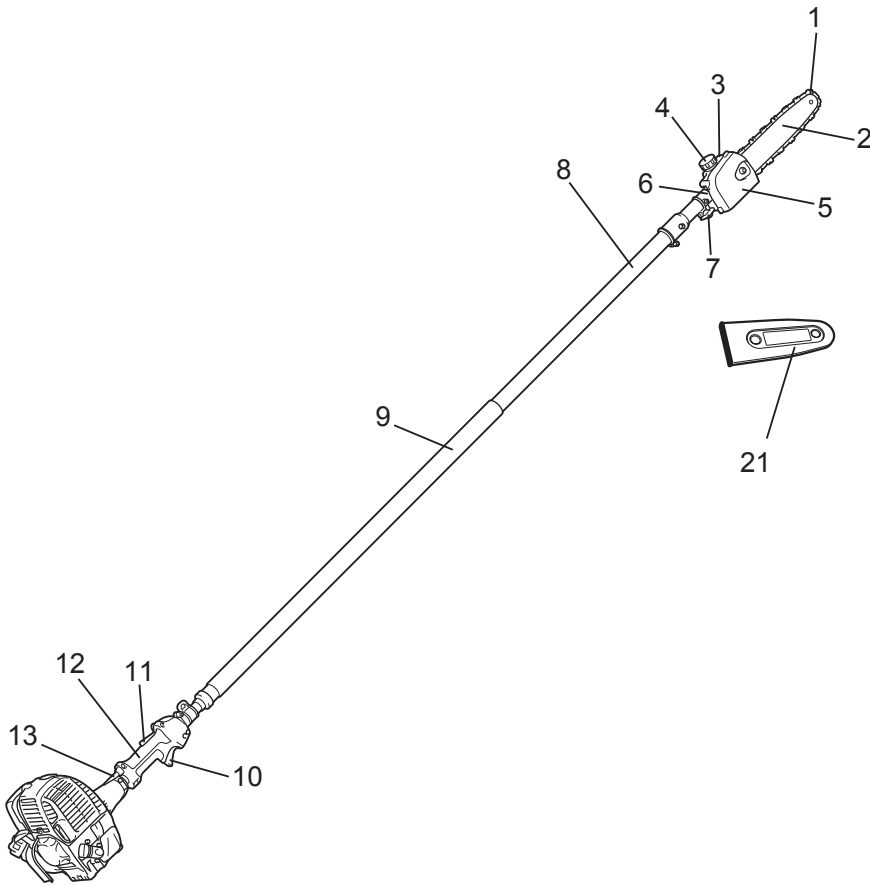
31. 10. 2013

Томоязу Като  
Директор  
Makita Corporation  
3-11-8, Sumiyoshi-cho,  
Anjo, Aichi, 446-8502, JAPAN

Модель		EY2650H		
Розміри: Д x Ш x В	мм	2720–3920 x 223 x 240		
Вага	кг	7,2		
Об'єм паливного баку	см <sup>3</sup>	600		
Об'єм баку для мастила для ланцюга	см <sup>3</sup>	120		
Робочий об'єм двигуна	см <sup>3</sup>	25,4		
Макс. швидкість ланцюга	м/с	21,0		
Максимальна продуктивність двигуна		0,77 кВт на 7000 об/хв		
Швидкість двигуна за рекомендованої максимальної швидкості шпинделя	об/хв	10000		
Швидкість холостого ходу	об/хв	3000		
Швидкість включення зчеплення	об/хв	4400		
Карбюратор		Діафрагменний тип		
Свічка запалювання	Тип	NGK CMR4A		
Зазор між електродами	мм	0,7 - 0,8		
Пальне		Автомобільне пальне (бензин)		
Моторне мастило		SAE10W-30 за класифікацією API, клас SF або вище (мастило для 4-тактного автомобільного двигуна)		
Довжина різання	мм	255		
Довжина шини	мм (дюймів)	255 (10")		
Пиляльний ланцюг		91VXL-39E		
Крок ланцюга	дюймів	3/8"		
Щуп для пиляльного ланцюга	мм (дюймів)	1,3 (0,05")		
Кількість зубців зірочки		7		
Мастило для ланцюга		Оригінальне мастило для ланцюга від компанії Makita		
Насос для мастила для ланцюга		Плунжерний насос (із системою автоматичного змащування)		
Вібрація згідно з ISO 22867	Права ручка (задня ручка)	$a_{hv\ eq}$ (із найкоротшим валом)	м/с <sup>2</sup>	5,3
		$a_{hv\ eq}$ (із найдовшим валом)	м/с <sup>2</sup>	6,1
		Похибка (К)	м/с <sup>2</sup>	2,0
	Ліва ручка (передня ручка)	$a_{hv\ eq}$ (із найкоротшим валом)	м/с <sup>2</sup>	7,2
		$a_{hv\ eq}$ (із найдовшим валом)	м/с <sup>2</sup>	8,6
		Похибка (К)	м/с <sup>2</sup>	2,0
Середній рівень звукового тиску відповідно до ISO 22868	$L_{PA\ eq}$	дБА	89,5	
	Похибка (К)	дБА	2,5	
Середній рівень звукової потужності відповідно до ISO 22868	$L_{WA\ eq}$	дБА	107,3	
	Похибка (К)	дБА	2,5	

- У зв'язку з нашою безперервною програмою досліджень і розвитку технічні характеристики, представлені в даній інструкції, можуть бути змінені без повідомлення.
- Технічні характеристики можуть відрізнятися залежно від країни.

EY2650H



UA	ПОЗНАЧЕННЯ ЧАСТИН
1	Пиляльний ланцюг
2	Шина
3	Бак для мастила
4	Кришка баку для мастила
5	Тримач шини
6	Редуктор
7	Ручка округлої форми
8	Телескопічний вал
9	Передня ручка
10	Важіль постачання пального
11	Важіль блокування
12	Задня ручка
13	Кабель керування
14	Глушитель
15	Вихлопна труба
16	Кришка баку для мастила
17	Ручка стартера
18	Повітряний фільтр
19	Кришка паливного баку
20	Паливний бак
21	Кришка шини



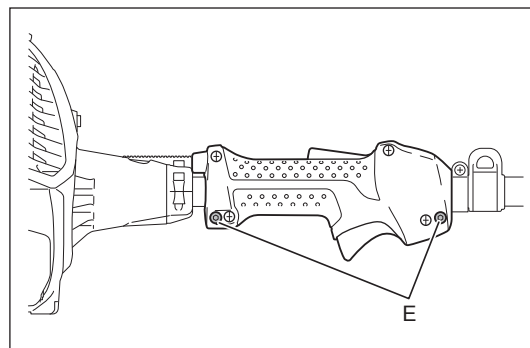
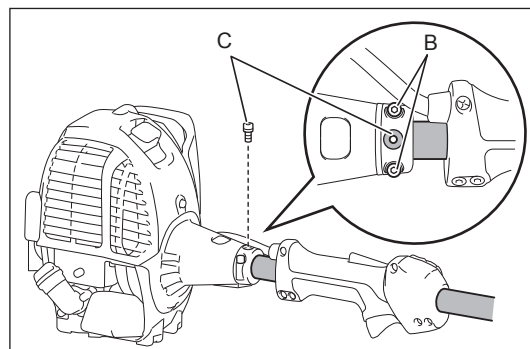
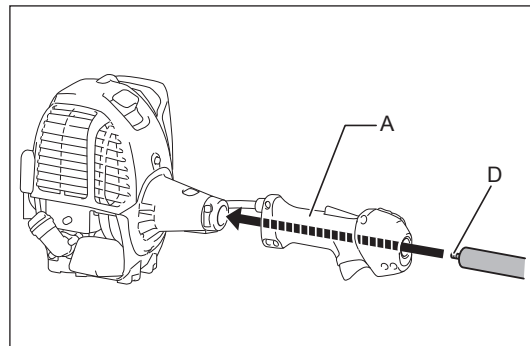
**УВАГА:**

- Перш ніж проводити монтаж, налаштування або перевірку пристрою, зупиняйте двигун та знімайте ковпачок свічки запалювання.
- Кожного разу під час роботи з пиляльним ланцюгом використовуйте захисні рукавиці.
- Перш ніж проводити монтаж, налаштування або перевірку, дочекайтеся, поки пиляльний ланцюг охолоне. Під час роботи пиляльний ланцюг стає дуже гарячим і може спричинити опіки.

**Монтаж вала та коробки зчеплення**

З'єднайте вал, задню ручку і блок двигуна за такою процедурою:

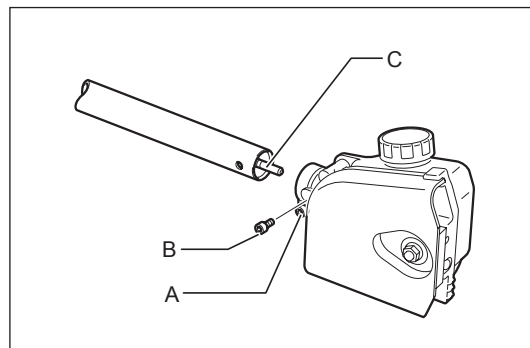
1. Пропустіть вал крізь задню ручку **(A)**.
2. Послабте два кріпильні болти **(B)** і витягніть центрувальний болт **(C)** на коробці зчеплення.
3. Уставте вал у коробку зчеплення. Якщо вставити повністю складно, трохи поверніть шпонку **(D)**.
4. Сумістіть отвір на валу із отвором центрувального болта.
5. Затягніть центрувальний болт.
6. Однаково затягніть два кріпильні болти.
7. Налаштуйте положення задньої ручки, після чого затягніть її двома болтами **(E)**.



**Монтаж вала і редуктора**

З'єднайте вал з редуктором за такою процедурою:

1. Послабте болт **(A)**. І витягніть болт **(B)**.
2. Уставте вал у редуктор. Якщо вставити повністю складно, трохи поверніть шпонку **(C)**.
3. Сумістіть отвір на валу із отвором болта **(B)**.
4. Спочатку затягніть болт **(B)**, а потім затягніть болт **(A)**.



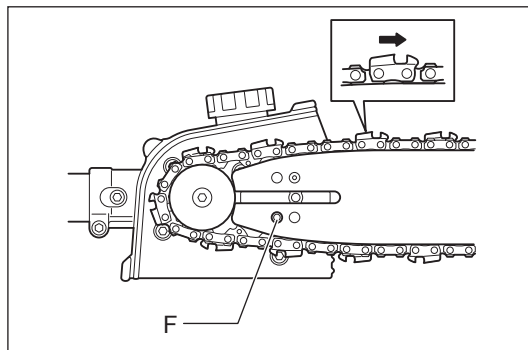
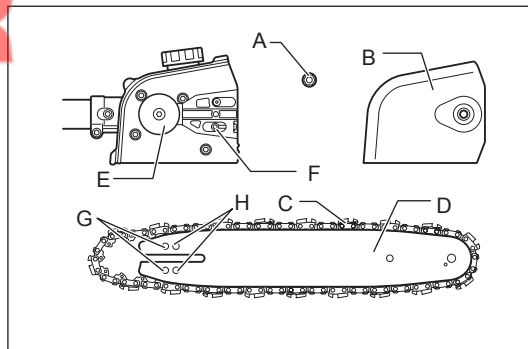


## Монтаж пиляльного ланцюга та шини

**ЗАСТЕРЕЖЕННЯ:** Переконайтеся, що пиляльний ланцюг, шина та зірочка підходять один до одного за розміром та кроком.

Для здійснення монтажу пиляльного ланцюга та шини слід виконати такі дії.

1. Послабте гайку (A) та зніміть тримач шини (B).
2. Установіть пиляльний ланцюг (C) у паз шини (D). Починайте з передньої частини шини.
3. Установіть пиляльний ланцюг (C) на зірочку (E).
4. Установіть шину (D) таким чином, щоб натяжна гайка (F) була вставлена в отвір (G) на шині. Отвори (H) не використовуються.
5. Установіть тримач шини (B) та надійно затягніть гайку (A). Потім послабте гайку на півоберту для подальшого налаштування натягу ланцюга.
6. Налаштуйте натяг ланцюга. Див. розділ "Налаштування натягу ланцюга".



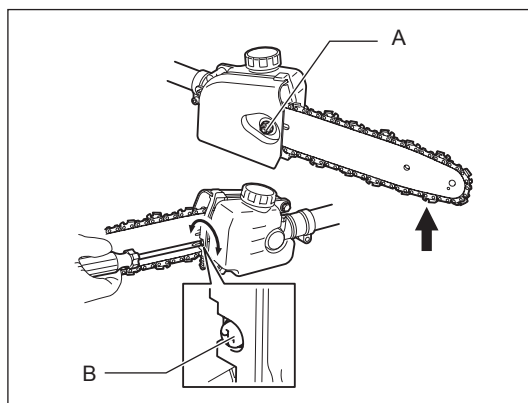
## Налаштування натягу ланцюга

**ЗАСТЕРЕЖЕННЯ:**

- Підтримуйте відповідний натяг ланцюга. Якщо натяг буде недостатнім, під час роботи пиляльний ланцюг може зіскочити. Занадто сильний натяг може призвести до пошкодження пиляльного ланцюга або шини.
- Постійно перевіряйте натяг ланцюга під час роботи. З часом пиляльний ланцюг розтягується, тому його натяг зменшується. Якщо Ви використовуєте новий пиляльний ланцюг, налаштовувати його натяг доведеться частіше.

Для здійснення налаштування натягу ланцюга слід виконати такі кроки.

1. Послабте гайку (A) на півоберту.
2. Тримайте шину передньою частиною вгору. Повертайте натяжний гвинт (B) за годинниковою стрілкою, доки пиляльний ланцюг не увійде щільно до нижньої сторони шини.
3. Візьміться за пиляльний ланцюг посередині шини та підніміть його. Зазор між шиною та з'єднувальною пластиною пиляльного ланцюга повинен становити приблизно 3–4 мм (0,118"–0,157"). Якщо це не так, трохи поверніть натяжний гвинт проти годинникової стрілки і повторіть крок 2.
4. Надійно затягніть гайку (A).
5. Якщо це необхідно, трохи затягніть натяжний гвинт, щоб запобігти падінню.



## Заповнення баку для мастила для ланцюга

Під час роботи пиляльний ланцюг потребує змащування спеціальним мастилом.

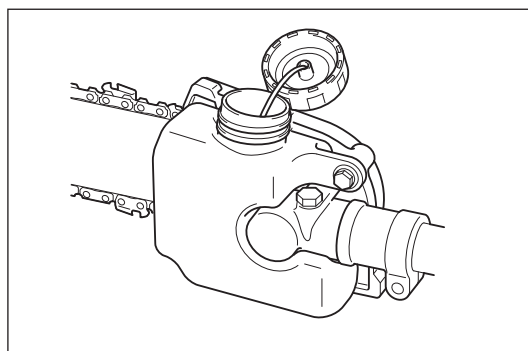
Перед початком роботи залийте мастило у бак для мастила для ланцюга. Потім надійно затягніть кришку баку для мастила.

Використовуйте тільки оригінальне мастило для ланцюга від компанії Makita.

**ПРИМІТКА:**

- Заборонено використовувати відпрацьоване мастило. Воно може пошкодити насос для мастила.
- Уникайте пильного середовища під час заливання мастила для ланцюга. Пил та інші сторонні матеріали можуть пошкодити систему подачі мастила.

Під час роботи завжди слідкуйте за рівнем мастила. У разі зниження його рівня доливайте мастило у бак. Як правило, бак стає порожнім приблизно через 40 хвилин експлуатації (залежно від налаштувань змащування ланцюга).

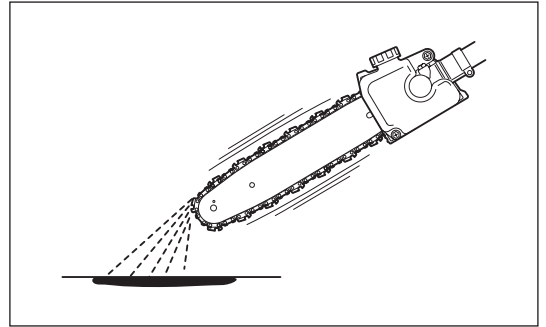
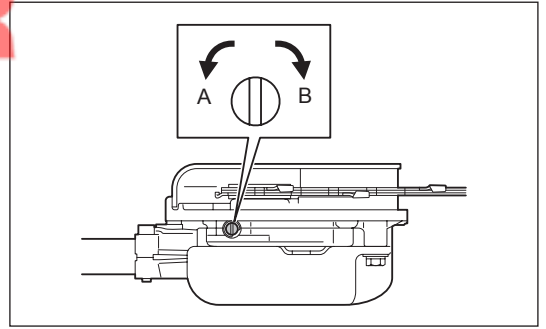


## Налаштування інтенсивності подачі мастила для ланцюга

Інтенсивність подачі мастила для ланцюга налаштовується в три кроки. Залежно від типу роботи, наприклад під час різання твердого гілля, слід налаштувати інтенсивність подачі мастила.

Щоб налаштувати інтенсивність подачі мастила для ланцюга, скористайтеся викруткою із плоским лезом. Натисніть на регулювальний гвинт та поверніть його. Щоб збільшити інтенсивність подачі мастила, поверніть регулювальний гвинт проти годинникової стрілки (**A**). Щоб зменшити інтенсивність подачі мастила, поверніть його за годинниковою стрілкою (**B**).

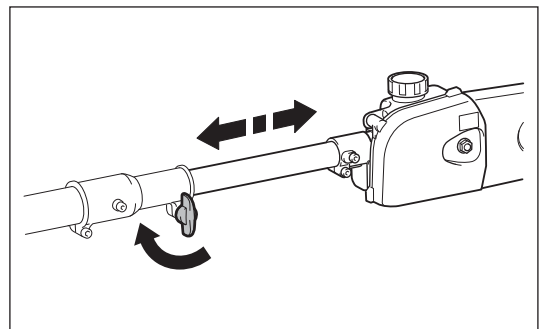
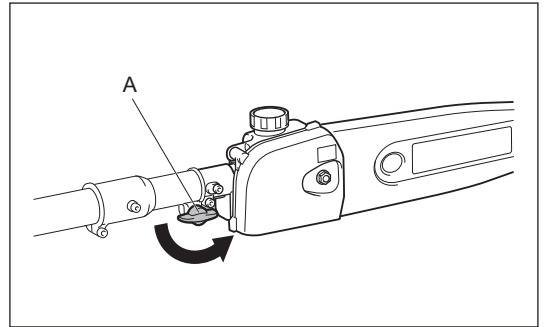
Після налаштування інтенсивності подачі мастила для ланцюга її слід перевірити, запустивши пристрій на середній швидкості.



## Налаштування довжини пилки для живоплоту

Налаштуйте довжину пилки для живоплоту за такою процедурою:

1. Поверніть ручку округлої форми (**A**) проти годинникової стрілки.
2. Налаштуйте довжину штанги.
3. Поверніть ручку округлої форми за годинниковою стрілкою, щоб прискорити головку редуктора.



## Плечовий ремінь

### Налаштування плечевого ременя

Налаштуйте довжину ременя для забезпечення зручності під час виконання кожного виду роботи.

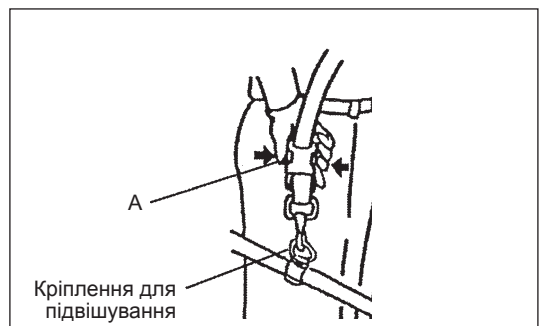
### Від'єднання

У разі надзвичайної ситуації натисніть на виімки (**A**), розміщені по обидва боки, та від'єднайте пристрій від себе.

Будьте надзвичайно обережними, щоб зберегти контроль над пристроєм в цей час. Не дозволяйте пристрою відхилятися у Ваш бік або в бік інших осіб, що знаходяться поблизу місця роботи.

**УВАГА:** Якщо Ви не зможете зберегти повний контроль над пристроєм, це може призвести до серйозних травм або СМЕРТІ.

Примітка: Залежно від країни плечовий ремінь не має функції від'єднання.



**Перевірка та додавання моторного мастила**

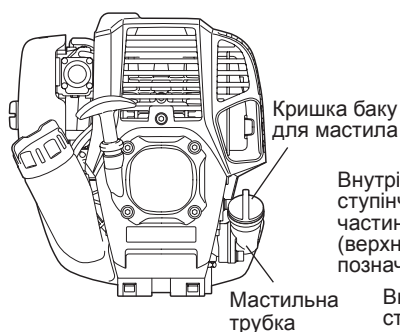
- Коли двигун охолоне, здійсніть зазначену нижче процедуру.
- Утримуючи двигун у горизонтальному положенні, зніміть кришку баку для мастила (мал. 1) та перевірте, чи є мастило між верхньою та нижньою позначками мастильної трубки (мал. 2).
- Якщо мастила недостатньо (рівень мастила наближається до нижньої позначки), долийте його до верхньої позначки (мал. 3).
- Зона навколо зовнішніх міток прозора, тому рівень мастила усередині можна перевіряти, не знімаючи кришку баку для мастила. Однак якщо мастильна трубка стане дуже забрудненою, Ви не зможете побачити рівень мастила; у такому разі його слід перевіряти за допомогою східчастої частини усередині мастильної трубки.
- Для довідки: мастило слід доливати приблизно через 10 годин (кожні 10 заправлень). Якщо мастило змінило колір або змішалось із брудом, його слід замінити новим (для отримання інформації щодо інтервалу та способу заміни див. стор. 44).

**Рекомендоване мастило:** SAE 10W–30 за класифікацією API, клас SF або вище (для 4-тактного двигуна автомобіля)  
**Об'єм мастила:** приблизно 0,08 л

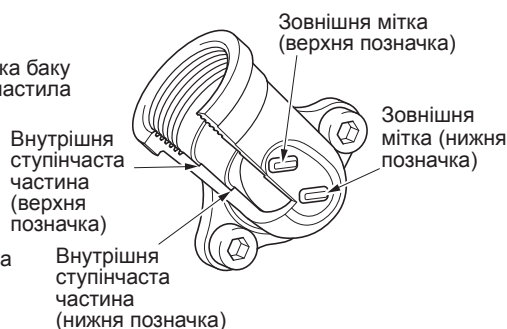
Примітка: Якщо двигун не утримувати у вертикальному положенні, мастило може потрапити в його контур, унаслідок чого Ви можете залити надмірну кількість мастила. У цьому випадку воно може забруднитися або зайнятися із виділенням білого диму.

**Указівка 1 щодо заміни мастила: “Кришка баку для мастила”**

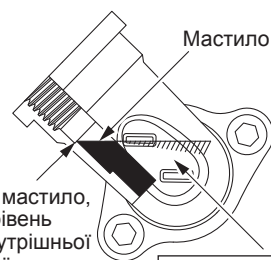
- Видаліть пил та бруд біля отвору для заливання мастила та від'єднайте кришку баку для мастила.
- Не допускайте контакту від'єднаної кришки баку для мастила із піском або пилом. Інакше пісок або пил, що налипнуть на кришку баку для мастила, можуть спричинити неналежну циркуляцію мастила або зношення частин двигуна, що призведе до несправностей.



Мал. 1



Мал. 2 Мастильна трубка

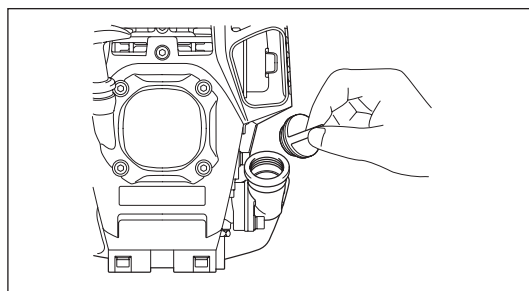


Доливайте мастило, доки його рівень досягне внутрішньої ступінчастої частини (верхня позначка).

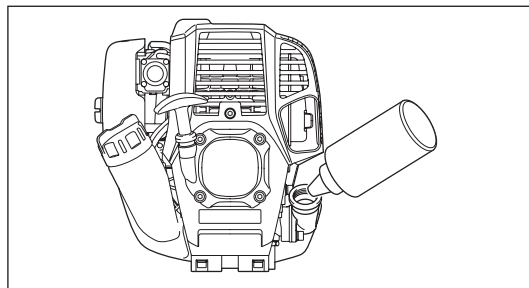
Зона між зовнішніми верхньою та нижньою позначками прозора, тому рівень мастила можна перевіряти ззовні по цих позначках.

Мал. 3

(1) Утримуючи двигун у горизонтальному положенні, від'єднайте кришку баку для мастила.



(2) Долийте мастило до верхньої позначки (див. мал. 3). Для заправлення мастила використовуйте маслянку.



(3) Надійно затягніть кришку баку для мастила. Якщо її затягнути неналежним чином, це може призвести до витікання мастила.



- Забороняється проводити заміну мастила, якщо двигун знаходиться під нахилом.
- Інакше Ви заллєте надмірну кількість мастила, що призведе до його забруднення та/або виділення білого диму.

#### Указівка 2 щодо заміни мастила: “Якщо мастило пролилося”

- Якщо мастило пролилося між паливним баком та головною частиною двигуна, воно потрапить усередину крізь повітрязабірник охолоджувального повітря та засмітить двигун. До початку роботи слід обов’язково витерти все мастило, що розлилося.

## ЗАПРАВЛЯННЯ

### Поводження із паливом

Із паливом слід поводитися обережно. Пальне може вміщати речовини, подібні розчинникам. Заправлення слід проводити у добре вентиляваному приміщенні або поза приміщенням. Ніколи не вдихайте випарування пального; тримайтеся від пального на відстані. Якщо пальне постійно контактує зі шкірою, вона стає сухою, і це може призвести до хвороби шкіри або до алергії. У разі потрапляння пального в очі їх слід промити чистою прісною водою. Якщо подразнення очей не проходить, слід звернутися до лікаря. Не заправляйте у темну пору доби або на нестійкій поверхні.

### Тривалість зберігання пального

Пальне має бути використане упродовж 4 тижнів, навіть якщо воно зберігається у спеціальному контейнері у добре вентиляваному затемненому місці.

Якщо використовується не спеціальний контейнер або якщо він не закритий, пальне може зіпсуватися за один день.

### ЗБЕРІГАННЯ ІНСТРУМЕНТА ТА ПАЛИВНОГО БАКУ

- Зберігайте інструмент та бак у прохолодному затемненому місці.
- Ніколи не зберігайте пальне у кабіні або багажному відділенні автомобіля.

### Пальне

Двигун є чотиритактним. Переконайтеся, що Ви використовуєте автомобільний бензин (стандартної або високої якості).

#### Указівки щодо пального

- Ніколи не використовуйте бензинову суміш, яка містить моторне мастило. Недотримання цієї вимоги призведе до надмірного накопичування вуглецю або до механічних несправностей.
- Використання відпрацьованого мастила призведе до неналежного запуску.

### Заправлення

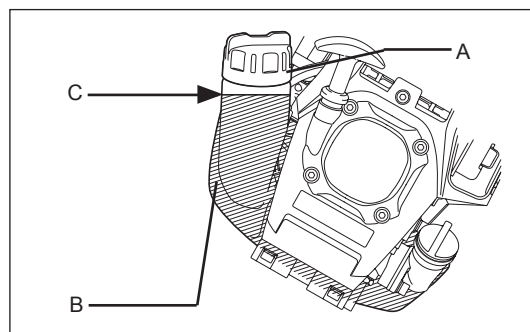
#### УВАГА: ЗАЙМИСТІ РЕЧОВИНИ СУВОРО ЗАБОРОНЕНІ

**ЗАСТЕРЕЖЕННЯ:** Не забувайте закривати кришку паливного баку після заправлення. Ніколи не запускайте двигун, коли кришка паливного баку відкрита.

**Пальне, що використовується:** Автомобільний бензин (неетилований бензин)

1. Трохи послабте кришку паливного баку (**A**), щоб уникнути розливання пального.
2. Від’єднайте кришку паливного баку. Нахиліть двигун таким чином, щоб отвір для заправлення був спрямований догори.
3. Обережно заливайте, випускаючи повітря із паливного баку (**B**). (Не заливайте пальне вище верхньої позначки рівня пального (**C**).)
4. Належним чином протріть край кришки паливного баку, щоб запобігти потраплянню сторонніх предметів у паливний бак.
5. Після заправлення надійно затягніть кришку паливного баку.

- Якщо кришка пошкоджена або пропускає пальне, замініть її.
- Кришка баку з часом зношується. Її слід замінювати кожні два-три роки.



## ЗАСТЕРЕЖЕННЯ:

Дотримуйтеся усіх відповідних правил безпеки!

## ПРИМІТКА:

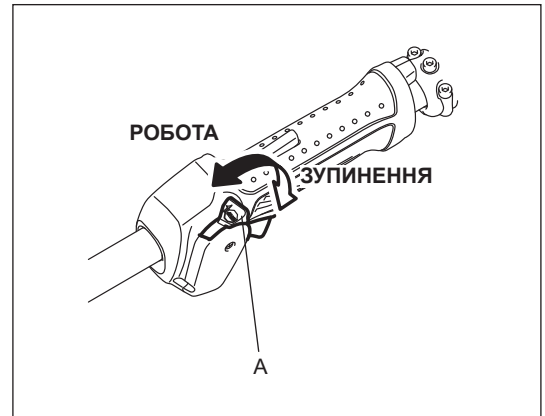
Перш ніж запустити двигун, зніміть кришку шини.

## ЗАПУСК

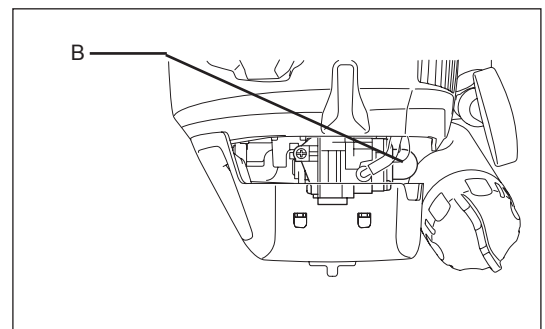
Відійдіть щонайменше на 3 метри від місця заправлення. Розташуйте пристрій на чистій ділянці землі, слідкуючи за тим, щоб насадка не торкалася землі та інших предметів.

### A: Холодний запуск

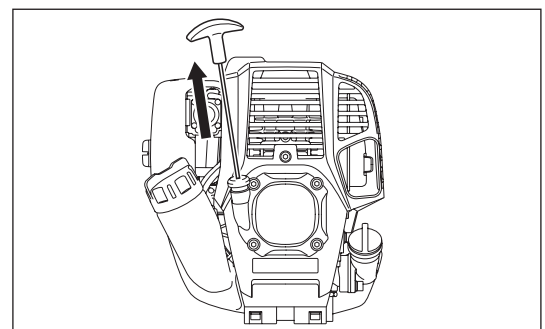
- 1) Установіть інструмент на пласкій поверхні.
- 2) Установіть пусковий перемикач (A) у положення РОБОТА.



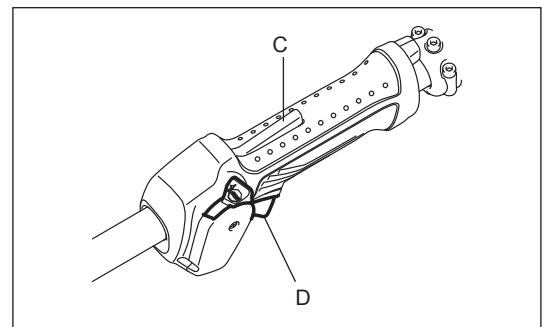
- 3) Насос підкачування  
Продовжуйте натискати на насос підкачування (B), доки пальне не потрапить до нього.  
(Зазвичай пальне потрапляє до насосу підкачування після 7–10 натискань.)  
Якщо на насос підкачування натиснути більше разів, зайве пальне повернеться до паливного баку.



- 4) Ручний стартер  
Обережно потягніть за ручку стартера, доки тягнути стане важко (момент компресії). Потім поверніть ручку стартера у вихідне положення та потягніть її сильно.  
Ніколи не витягуйте трос повністю. Потягнувши за ручку стартера, ніколи не відпускайте її одразу. Утримуйте ручку стартера, доки вона не повернеться у вихідне положення.



- 5) Ручка оснащена важелем блокування (C), щоб запобігти випадковому запуску. Щоб потягнути за важіль постачання пального (D), візьміться за ручку, щоб зняти блокування (натиснувши рукою на кнопку блокування).



- 6) Процес прогрівання  
Продовжуйте прогрівання протягом 2–3 хвилин.

Примітка: У разі надмірної подачі пального зніміть свічку запалювання та повільно потягніть ручку стартера, щоб видалити зайве пальне. Також висушіть електроди свічки запалювання.

## Заходи безпеки під час роботи:



Якщо важіль постачання пального повністю відкритий при роботі на холостому ходу, кількість обертів двигуна зростає до 10000 об/хв та більше. Забороняється працювати з двигуном на швидкості вище потрібної, яка дорівнює 6000–8500 об/хв.

## В: Запуск після прогрівання

- 1) Кілька разів натисніть на насос підкачування.
- 2) Утримуйте важіль постачання пального у положенні холостого ходу.
- 3) Із силою потягніть за ручний стартер.
- 4) Якщо запустити двигун виявляється важко, відкрийте дросельну заслінку на 1/3. Зверніть увагу на насадку, яка може обертатися.

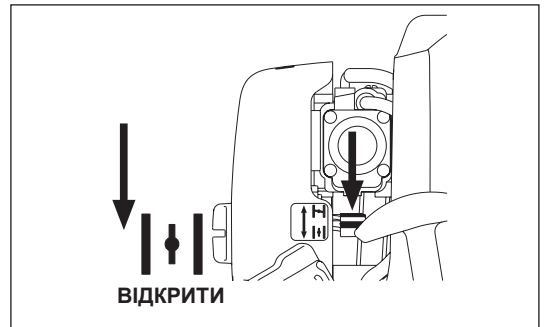
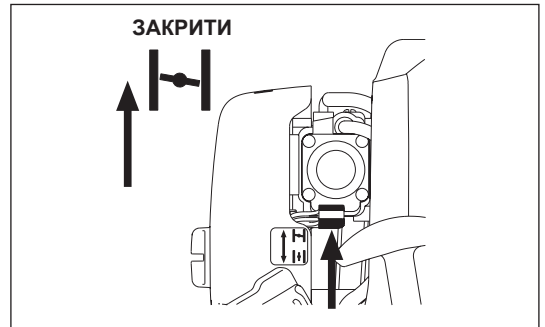
## Коли двигун запустити важко (наприклад, узимку)

Запускаючи двигун, використовуйте важіль дроселювання відповідно до зазначеної нижче процедури.

- Виконавши кроки запуску від 1) до 3), установіть важіль дроселювання у положення ЗАКРИТИ.
- Виконайте крок запуску 4) та запустіть двигун.
- Після запуску двигуна установіть важіль дроселювання у положення ВІДКРИТИ.
- Виконайте крок запуску 5) та здійсніть процес прогріву.

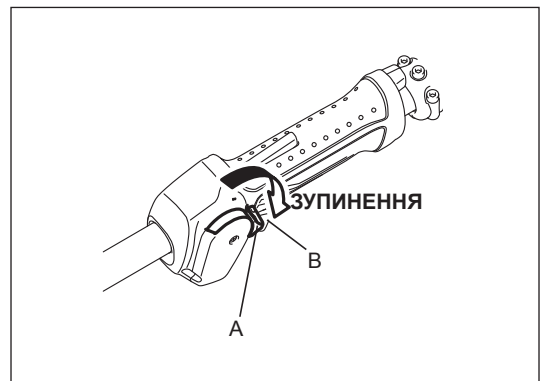
**ЗАСТЕРЕЖЕННЯ:** Якщо Ви почуєте удар (звук вибуху), після якого двигун зупиниться, або якщо тільки-но запущений двигун зупиняється, перш ніж Ви скористаєтеся важелем дроселювання, поверніть важіль дроселювання у положення ВІДКРИТИ та знов потягніть за ручку стартера декілька разів, щоб запустити двигун.

**ЗАСТЕРЕЖЕННЯ:** Якщо залишити важіль дроселювання у положенні ЗАКРИТИ та декілька разів потягнути за ручку стартера, у двигун потрапить забагато пального, унаслідок чого його буде важко запустити.



## ЗУПИНЕННЯ

- 1) Повністю відпустіть важіль постачання пального (В) та, коли кількість обертів двигуна за хвилину зменшиться, установіть пусковий перемикач (А) у положення ЗУПИНЕННЯ, після чого двигун зупиниться.
- 2) Зверніть увагу, що насадка може не зупинитися одразу, отже дозвольте їй повністю зупинитися.

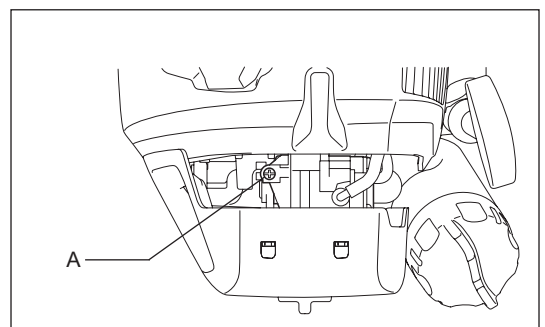


## НАЛАШТУВАННЯ ДВИГУНА НА НИЗЬКУ ШВИДКІСТЬ ОБЕРТАННЯ (ХОЛОСТИЙ ХІД)

Якщо необхідно налаштувати обертання двигуна на низьку швидкість (холостий хід), це можна зробити за допомогою регульовального гвинта карбюратора (А).

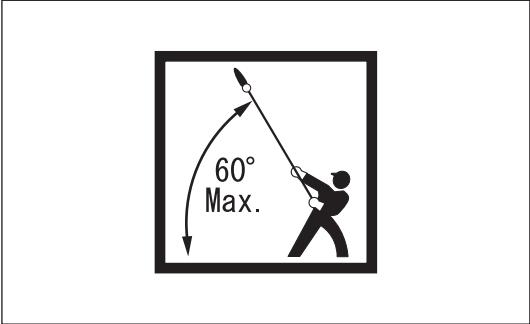
## ПЕРЕВІРКА ОБЕРТАННЯ ДВИГУНА НА НИЗЬКІЙ ШВИДКОСТІ

- Установіть обертання на низькій швидкості на 3000 об/хв. У разі потреби відрегулюйте швидкість обертання за допомогою регульовального гвинта, скориставшись для цього хрестоподібною викруткою.
- Якщо повертати регульовальний гвинт праворуч, кількість обертів двигуна зростає. У разі повертання регульовального гвинта ліворуч кількість обертів двигуна зменшується.
- Як правило, карбюратор налаштовують перед його відправленням із заводу. Якщо потрібне його переналаштування, слід звернутися до співробітника авторизованого сервісного центру.



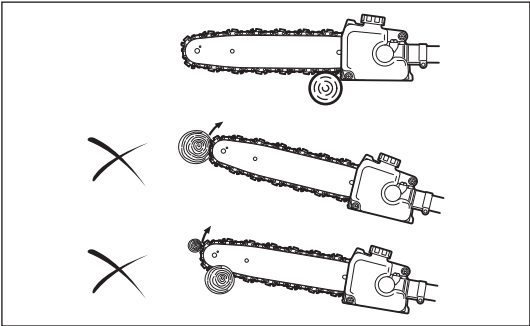
**Положення стоячи**

- Стійте на стійкій поверхні. Розташуйте пилку для живоплоту під кутом 60° до горизонтальної поверхні землі.
- Спочатку ріжте нижні гілки, оскільки це сприятиме безперешкодному падінню гілок.
- Завжди забезпечуйте шлях відходу на випадок, якщо гілка буде падати в напрямку оператора.



**Спосіб**

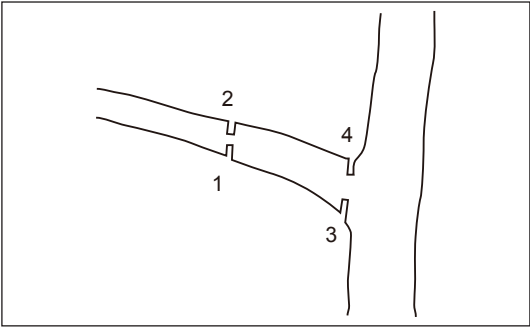
- Запустіть двигун і потягніть за важіль постачання пального, поки пиляльний ланцюг не досягне своєї повної швидкості.
- Трохи притисніть пиляльний ланцюг до гілки. Не докладайте до пристрою надмірну силу, оскільки це може призвести до його пошкодження.
- Ніколи не можна різати кінцем шини. Недотримання цієї вимоги може спричинити небезпечну віддачу, яка може призвести до отримання травм.



**Поради стосовно зрізання товстих гілок**

Зрізати товсті гілки слід у такий спосіб.

1. Зробіть невеличкий надріз на нижньому боці гілки, трохи осторонь від необхідного місця розрізу.
2. Ріжте гілку з верхнього боку у місці надрізу.
3. Зробіть ще один невеличкий надріз на нижньому боці гілки, але у тому місці, де Ви маєте намір різати.
4. Ріжте там, де Ви маєте намір різати, із верхнього боку.



**УКАЗІВКИ ЩОДО ТЕХНІЧНОГО ОБСЛУГОВУВАННЯ**

**ЗАСТЕРЕЖЕННЯ:** Перед виконанням будь-яких робіт з технічного обслуговування пристрою слід вимикати двигун та знімати ковпачок свічки запалювання (див. "Перевірка свічки запалювання"). Завжди надягайте захисні рукавиці! Під час проведення огляду або технічного обслуговування пристрій повинен знаходитися на землі у горизонтальному положенні. Монтаж або налаштування пристрою у вертикальному положенні може призвести до серйозних травм. Завжди встановлюйте кришку шини під час проведення технічного обслуговування пристрою.

Для забезпечення тривалого терміну служби та для запобігання пошкодженню пристрою слід регулярно здійснювати процедури технічного обслуговування, зазначені нижче.

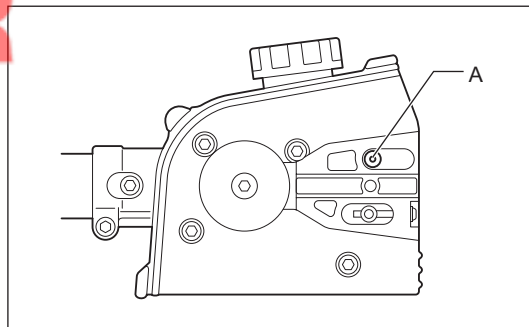
**Щоденний огляд та технічне обслуговування**

- Перед початком роботи перевіряйте, чи всі гвинти інструмента затягнуті належним чином та чи присутні всі деталі. Перевіряйте, щоб встановлена насадка була закріплена належним чином.
- Перед початком роботи завжди перевіряйте, чи не засмічені канал охолоджувального повітря та ребра циліндра. За необхідності чистьте їх.
- Щоденно після використання пристрою слід виконувати такі дії:
  - Чистьте пристрій іззовні та перевіряйте його на предмет пошкоджень.
  - Чистьте повітряний фільтр. Якщо Ви працюєте у надзвичайно пильному середовищі, чистьте фільтр декілька разів на день.
  - Переконайтеся, що швидкість холостого ходу суттєво відрізняється від швидкості включення зчеплення, а насадка під час роботи двигуна на холостому ходу залишається нерухомою (за необхідності зменште швидкість холостого ходу). Якщо на холостому ходу інструмент продовжує рухатися, слід звернутися до співробітника найближчого авторизованого сервісного центру.
- Перевіряйте належне функціонування пускового перемикача, важеля блокування та важеля керування.



## Чищення отвору подачі мастила для ланцюга

Отвір подачі мастила для ланцюга (A) слід чистити щоденно. Ви можете дістатися до нього, знявши тримач шини та шину.

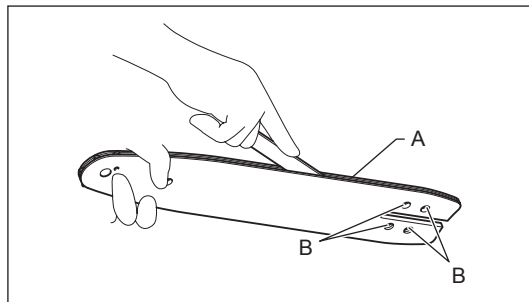


## Чищення та огляд шини

Щоденно чистьте шину. Видаляйте тирсу з пазу (A) та з отвору подачі мастила для ланцюга (B).

Щоб уникнути одностороннього зношування шини, перевертайте її кожного разу при чищенні або заточуванні пиляльного ланцюга.

Якщо паз зношений, погнутий, деформований або тріснутий, шину слід замінити.



## Огляд пиляльного ланцюга

Якщо Ви помітите, що пиляльний ланцюг зношений, деформований чи тріснутий, або якщо Вам доводиться докладати більших зусиль під час різання, замініть ланцюг або зверніться до авторизованого сервісного центру Makita з питання його заточування.

## Змащення деталей, що рухаються

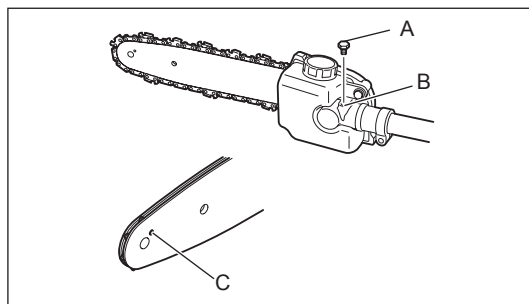
**ПРИМІТКА:** Дотримуйтесь указівок щодо періодичності змащування та кількості консистентного мастила. Інакше недостатнє змащування може призвести до пошкодження деталей, що рухаються.

Редуктор:

Знімайте пробку мастильного отвору (A) і заливajte консистентне мастило через мастильний отвір (B) кожні 25 годин роботи.

Передня частина шини:

Додавайте консистентне мастило (Shell Alvania №. 2 або еквівалент) через мастильний отвір (C) кожні 10 годин роботи.



## ЗАМІНА МОТОРНОГО МАСТИЛА

Використання відпрацьованого моторного мастила призведе до значного скорочення терміну служби деталей, що ковзають та обертаються. Перевіряйте строк заміни мастила та його кількість.



**УВАГА:** Після зупинення двигуна його головна частина та моторне мастило зазвичай залишаються гарячими. Під час заміни мастила слід переконатися, що температура головної частини двигуна та моторного мастила значно знизилася. Інакше існує небезпека отримання опіків.

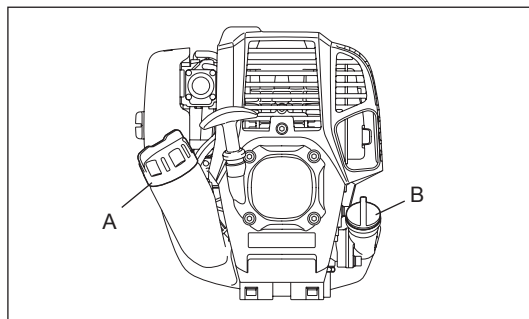
**Примітка:** Якщо мастила залити більше за норму, воно може забруднитися або зайнятися із виділенням білого диму.

**Строк заміни мастила:** Спочатку – кожні 20 годин роботи, потім – кожні 50 годин роботи

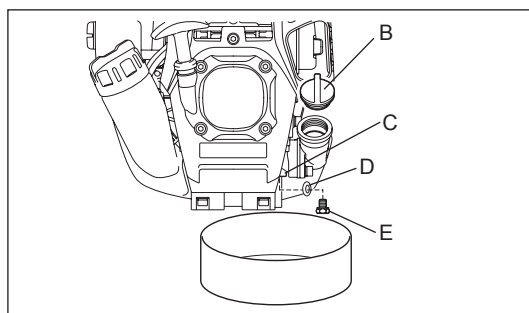
**Рекомендоване мастило:** SAE10W-30 за класифікацією API, клас SF або вище (для 4-тактного автомобільного двигуна)

Під час заміни виконуйте процедури, зазначені нижче.

- 1) Переконайтеся, що кришка паливного баку (A) надійно затягнута.
- 2) Розташуйте великий контейнер (лоток тощо) під зливним отвором (C).



- 3) Викрутіть різьбову пробку зливного отвору (E) та зніміть кришку баку для мастила (B), щоб злити мастило через зливний отвір. Під час виконання цієї процедури будьте обережними та не загубіть сальник різьбової пробки (D); крім того, уникайте потрапляння бруду на будь-які зняті деталі.



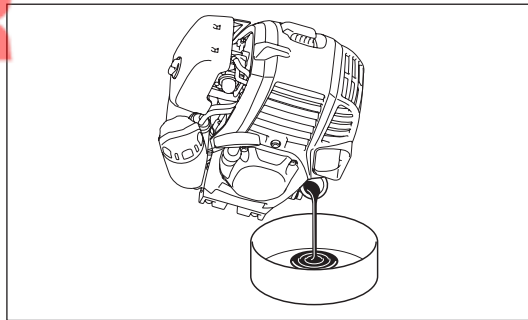
- 4) Після зливу мастила встановіть сальник на різьбову пробку зливного отвору та щільно затягніть різьбову пробку зливного отвору, щоб вона не послабилася та не призвела до витікання мастила.

\* Ретельно витріть ганчіркою мастило, яке потрапило на пробку та на пристрій.

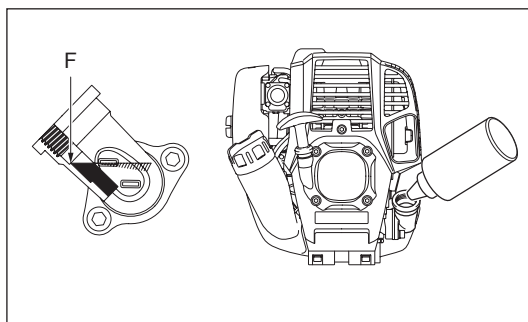
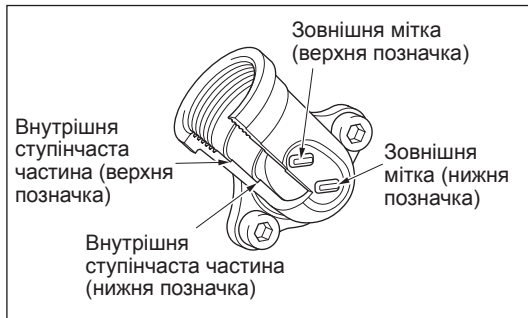


### Альтернативний метод зливання

Зніміть кришку баку для мастила, нахиліть пристрій на бік отвору для заливання мастила та злийте мастило через нього. Зберіть мастило у контейнер.



- 5) Утримуючи двигун у горизонтальному положенні, поступово залийте нове мастило до верхньої позначки (F).
- 6) Після заправлення надійно зафіксуйте кришку баку для мастила, щоб вона не ослабилася та не спричинила витікання мастила. Якщо кришку баку для мастила закрутити неналежним чином, вона може пропускати мастило.



### УКАЗІВКИ ЩОДО МАСТИЛА

- Ніколи не викидайте відпрацьоване моторне мастило разом із сміттям, не зливайте його у ґрунт або в канал стічних вод. Утилізація мастила регулюється законодавством. Під час утилізації дотримуйтеся чинних правових норм та розпоряджень. У разі виникнення питань звертайтеся до співробітника авторизованого сервісного центру.
- Мастило стає непридатним, навіть якщо його не використовувати. Регулярно перевіряйте та замінійте мастило (заливайте нове мастило кожні 6 місяців).

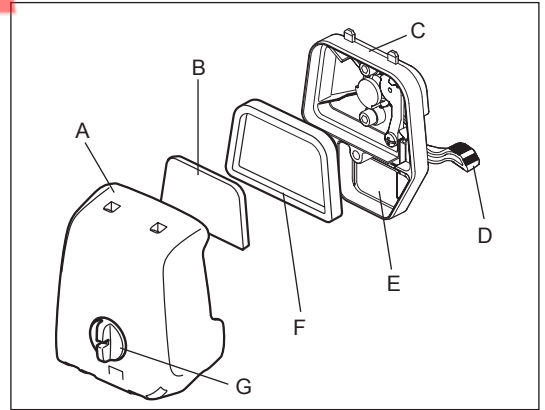
## ЧИЩЕННЯ ПОВІТРЯНОГО ФІЛЬТРА



**НЕБЕЗПЕКА: ЗАЙМИСТІ РЕЧОВИНИ СУВОРО ЗАБОРОНЕНІ**

**Строки чищення та перевірки: щоденно (після кожних 10 годин роботи)**

- Повністю поверніть важіль дроселювання (**D**) в сторону закривання, при цьому тримайте карбюратор подалі від пилу та бруду.
- Послабте фіксуючий болт (**G**).
- Зніміть кришку повітряного фільтра (**A**), потягнувши її за нижню частину.
- Зніміть компоненти фільтра (**B**) (**F**) та злегка постукайте по них, щоб видалити бруд.
- Якщо компоненти фільтра сильно забруднені: Зніміть компоненти фільтра, занурте їх у теплу воду або у розчинений у воді нейтральний детергент, після чого повністю висушіть їх. Не стискайте і не тріть їх під час миття.
- Перед тим як установити компоненти фільтра, переконайтеся, що вони повністю сухі. Недостатня просушка компонентів фільтра може ускладнити запуск.
- Витріть ганчіркою мастило, що налипнуло навколо кришки повітряного фільтра та частини усмоктувальної трубки (**E**).
- Уставте компонент фільтра (губка) (**B**) в компонент фільтра (повсть) (**F**). Уставте компоненти в пластину (**C**) таким чином, щоб губка була повернена до кришки повітряного фільтра.
- негайно встановіть на місце кришку фільтра та затягніть її фіксуючими болтами (при цьому спочатку встановіть верхній виступ, а потім нижній).



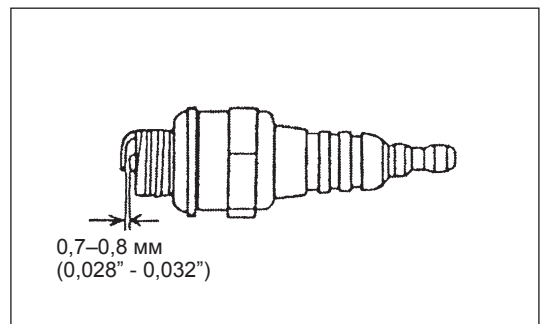
### ПРИМІТКА:

- Чистьте компоненти фільтра декілька разів на день, якщо на них налипає забагато пилу. Якщо компоненти фільтра забруднені, це знижує потужність двигуна та ускладнює його запуск.
- Видаляйте мастило, яке потрапляє на компоненти фільтра. Якщо продовжувати роботу із забрудненими мастилом компонентами фільтра, то мастило з повітряного фільтра може потрапити назовні та спричинити забруднення довкілля.
- Не кладіть компоненти фільтра на землю або на забруднене місце. Інакше на них потрапить бруд або сміття, що може призвести до пошкодження двигуна.
- Ніколи не використовуйте пальне для чищення компонентів фільтра. Пальне може пошкодити їх.

## ПЕРЕВІРКА СВІЧКИ ЗАПАЛЮВАННЯ

- Для знімання або встановлення свічки запалювання використовуйте тільки універсальний гайковий ключ, який входить до комплекту.
- Зазор між двома електродами свічки запалювання повинен становити 0,7–0,8 мм (0,028"–0,032"). Якщо зазор занадто великий чи занадто малий, відрегулюйте його. Якщо свічка запалювання засмічена чи забруднена, її слід ретельно прочистити або замінити.

**ЗАСТЕРЕЖЕННЯ:** Ніколи не торкайтеся конектора свічки запалювання під час роботи двигуна (небезпека ураження струмом високої напруги).



## ЧИЩЕННЯ ПАЛИВНОГО ФІЛЬТРА

**УВАГА: ЗАЙМИСТІ РЕЧОВИНИ СУВОРО ЗАБОРОНЕНІ**

Строки чищення та перевірки: щомісяця (кожні 50 годин роботи)

### Усмоктувальна головка в паливному баку

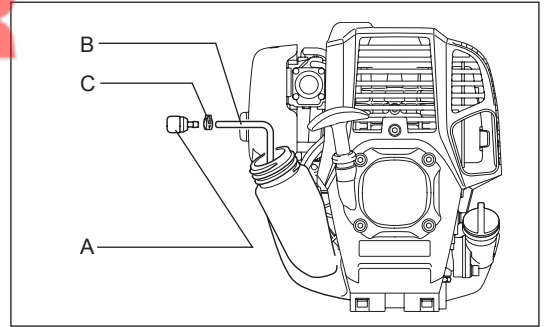
Періодично перевіряйте паливний фільтр (A). Для перевірки паливного фільтра слід виконати такі дії:

- (1) Зніміть кришку паливного баку та злийте все пальне. Перевірте, чи не потрапили до паливного баку сторонні предмети. Якщо це сталося, видаліть їх.
- (2) За допомогою дроту витягніть усмоктувальну головку через отвір баку.
- (3) Якщо паливний фільтр трохи засмітився, почистіть його. Для цього злегка потрясіть його і занурте в пальне. Щоб уникнути пошкодження, не стискайте і не тріть його. Пальне, що використовувалося для чищення, слід утилізувати відповідно до норм та правил, чинних у Вашій країні. Якщо паливний фільтр стає твердим або сильно засміченим, його слід замінити.

- (4) Після проведення перевірки, очищення або заміни вставте паливний фільтр у паливну трубку (B) і закріпіть затискачем шланга (C).

Протискуйте паливний фільтр до самого дна паливного баку.

Засмічений або пошкоджений паливний фільтр може спричинити недостатню подачу пального і знизити потужність двигуна. Паливний фільтр слід замінювати щонайменше один раз на три місяці, щоб забезпечити задовільне постачання пального до карбюратора.



### ЗАМІНА ПАЛИВНОЇ ТРУБКИ

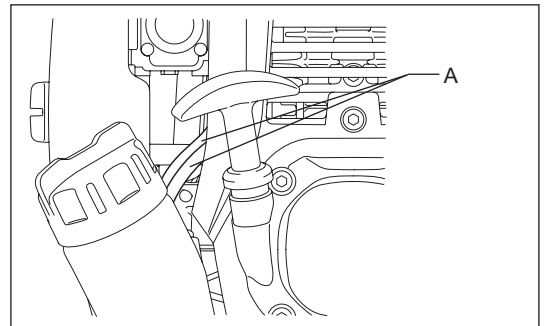
**ЗАСТЕРЕЖЕННЯ: ЗАЙМИСТІ РЕЧОВИНИ СУВОРО ЗАБОРОНЕНІ**

Строки чищення та перевірки: щоденно (після кожних 10 годин роботи)

Заміна: щороку (кожні 200 годин роботи)

Замініть паливну трубку (A) щороку незалежно від частоти використання пристрою. Витікання пального може призвести до пожежі.

Якщо під час перевірки Ви помітили витікання пального, негайно замініть паливну трубку.



### ПЕРЕВІРКА БОЛТІВ, ГАЙОК ТА ГВИНТІВ

- Затягуйте послаблені болти, гайки тощо.
- Перевіряйте пристрій на предмет витікання мастила чи пального.
- Для забезпечення безпечної роботи замініть пошкоджені деталі новими.

### ЧИЩЕННЯ ДЕТАЛЕЙ

- Завжди тримайте двигун у чистоті.
- Не допускайте контакту пилу чи бруду із ребрами циліндра. Пил чи бруд, що налипають на ребра, призведуть до стопоріння поршня.

### ЗАМІНА САЛЬНИКІВ ТА ГЕРМЕТИЗУЮЧОГО МАТЕРІАЛУ

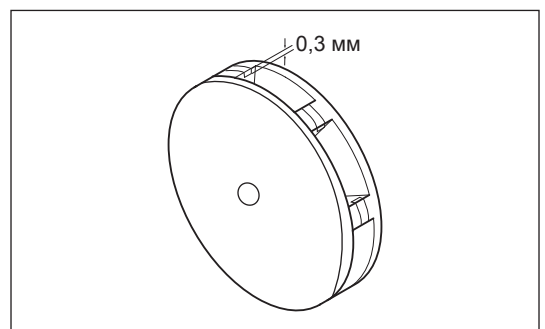
Під час повторного монтажу двигуна слід обов'язково замінювати усі сальники та герметизуючі матеріали новими.

Будь-які роботи з технічного обслуговування та налаштування, не включені до цієї інструкції з експлуатації та не описані в ній, повинні виконуватися тільки співробітниками авторизованого сервісного центру.

### ОГЛЯД ЗІРОЧКИ

Перевіряйте зірочку на наявність зношення кожні 50 годин роботи.

Замініть її, якщо зношення становить 0,3 мм або більше.



## Заточка пиляльного ланцюга



### Пиляльний ланцюг слід заточити, коли:

- Під час пиляння сирої деревини утворюється розсипчаста тирса;
- Ланцюг входить в деревину на силу, навіть якщо на пилку натиснути;
- Ріжуча кромка явно пошкоджена;
- Пилку в деревині тягне вправо або вліво. Причина такої поведінки – нерівномірна заточка пиляльного ланцюга або пошкодження тільки однієї сторони.

### Слід часто заточувати пиляльний ланцюг, але при цьому кожного разу слід сточувати небагато металу.

Для повсякденного заточування звичайно вистачає двох або трьох проходів напилком. Після того як пиляльний ланцюг був заточений декілька разів, його слід заточити в авторизованому сервісному центрі МАКІТА.

### Критерії заточки:

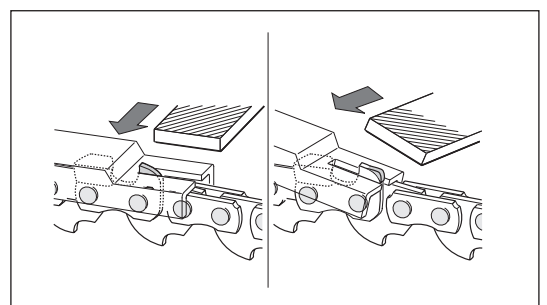
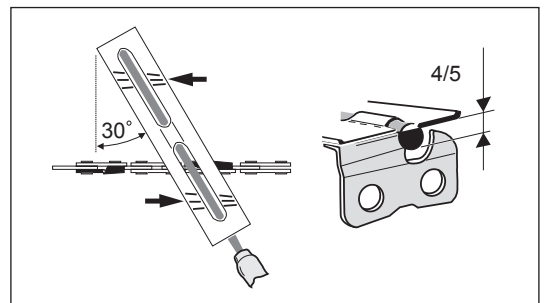
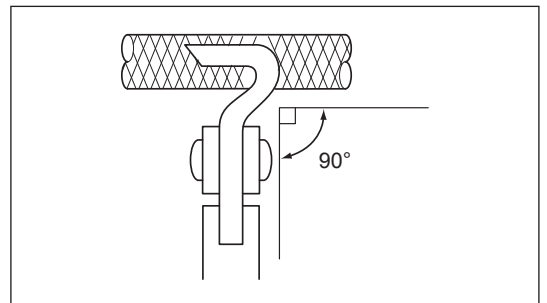
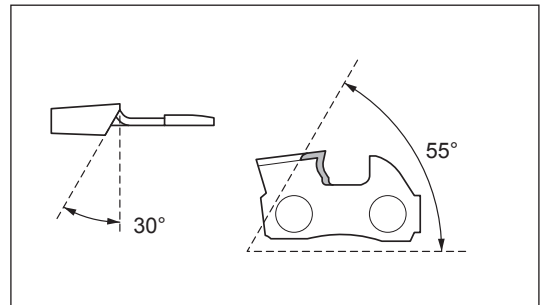
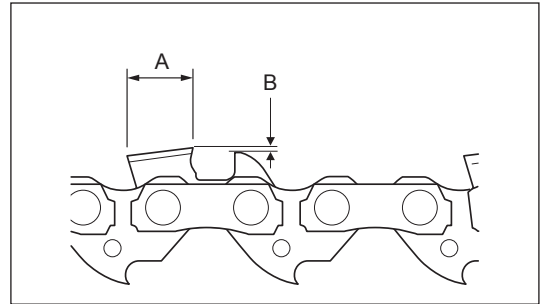
- Довжина всіх зубців (A) повинна бути однаковою. Якщо зубці будуть різної довжини, це заважатиме належній роботі ланцюга і може призвести до його поломки.
- Товщина щіпки визначається відстанню між глибиноміром (круглим носком) та ріжучою кромкою (B).
- Найліпші результати пиляння забезпечуються, коли відстань між ріжучою кромкою та глибиноміром є такою.  
Полотно ланцюга 91VXL: 0,64 мм (0,025")

**⚠ УВАГА:** Занадто велика відстань збільшує ризик віддачі.

- Кут заточки усіх зубців повинен становити 30°. Якщо кут заточки зубців неоднаковий, це призводить до нерівномірної та ускладненої роботи ланцюга, що прискорює його знос та призводить до його поломки.
- Кут бокової пластини зубця визначається глибиною проникнення круглого напилка. Якщо спеціальний напилком використовувати належним чином, правильний кут бокової пластини зубця буде забезпечуватись автоматично.
- Належний кут для кожного пиляльного ланцюга такий:  
Полотно ланцюга 91VXL: 55°

### Напилком та напрямлення напилка

- Для заточування ланцюга використовуйте спеціальний круглий напилком для пиляльних ланцюгів (додаткове приладдя). Звичайні круглі напилки не підходять.
- Діаметр круглого напилка для кожного пиляльного ланцюга такий:  
Полотно ланцюга 91VXL: 4,0 мм (5/32")
- Напилком повинен обробляти зубець тільки під час руху вперед. Під час зворотного руху напилком слід піднімати над зубцем.
- Спочатку слід заточити найкоротший зубець. Потім довжина цього найкоротшого зубця стає стандартом для всіх інших зубців на пиляльному ланцюзі.
- Направляйте напилком, як показано на малюнку.
- Напилком направляти набагато легше, якщо використовувати держак для напилка (додаткове приладдя). На держак для напилка є мітки правильного кута заточки 30° (мітки слід виставити паралельно пиляльному ланцюгу); крім того, держак також обмежує глибину проникнення (на 4/5 діаметра напилка).
- Після заточування ланцюга слід перевірити висоту глибиноміра, використовуючи щуп для пиляльного ланцюга (додаткове приладдя).
- Необхідно видалити матеріал, що виступає, однак це слід робити за допомогою спеціального плоского напилка (додаткове приладдя).
- Ще раз закругліть передню частину глибиноміра.

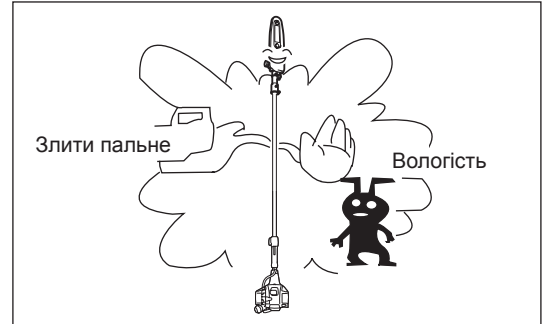




**УВАГА: Перед зливанням пального слід переконатися, що двигун зупинений і остиглий. Після зупинення двигун звичайно залишається гарячим. Зачекайте, поки він остигне, щоб уникнути займання або отримання опіків.**

Якщо інструмент не використовується протягом тривалого часу, слід виконати такі дії:

- Злийте пальне з паливного баку та карбюратора відповідно до зазначеної процедури:
  - 1) Зніміть кришку паливного баку та повністю злийте пальне. Якщо в паливному баку залишається стороння речовина, видаліть її повністю.
  - 2) За допомогою дроту витягніть паливний фільтр із отвору для заливання пального.
  - 3) Натискайте на насос підкачування, доки пальне не витече з нього, потім злийте пальне, що потрапило до паливного баку.
  - 4) Установіть фільтр у паливний бак та надійно затягніть кришку паливного баку.
  - 5) Після цього продовжуйте роботу двигуна, доки він не зупиниться.
- Злийте мастило для ланцюга.
- Зніміть пиляльний ланцюг та шину.
- Почистіть напрямний паз шини.
- Нанесіть невелику кількість мастила на пиляльний ланцюг та шину.
- Зніміть свічку запалювання та залийте декілька крапель моторного мастила крізь отвір свічки запалювання.
- Обережно потягніть за ручку стартера, щоб моторне мастило розтеклося по двигуну, потім установіть свічку запалювання.
- Звичайно зберігайте інструмент у горизонтальному положенні. Якщо це неможливо, кладіть інструмент таким чином, щоб двигун розташовувався нижче ріжучого інструмента. Інакше моторне мастило може витекти.
- Завжди зберігайте інструмент у безпечному місці, щоб запобігти пошкодженню інструмента та уникнути травм.
- Злите пальне зберігайте в спеціальному контейнері в добре вентильованому затемненому місці.



**Після тривалого зберігання зверніть увагу на таке**

- Перед запуском пристрою після довгого періоду зберігання обов'язково замініть моторне мастило (див. "ЗАМІНА МОТОРНОГО МАСТИЛА"). За час зберігання інструмента мастило зіпсується.

**Пошук несправностей**

Несправність	Система	Спостереження	Причина
Двигун не запускається або запускається важко	Система запалювання	Є іскра запалювання	Несправність системи постачання пального або компресії, механічний дефект
		Немає іскри запалювання	Було натиснуто на пусковий перемикач, несправність проводки або коротке замикання, несправність свічки запалювання або конектора, несправність блока запалювання
	Постачання пального	Паливний бак заповнений	Невірне положення дросельної заслінки, несправність карбюратора, перервано або заблоковано лінію постачання пального, пальне низької якості
	Компресія	Немає компресії під час запуску	Несправність нижнього сальника циліндра, пошкоджено ущільнення колінчатого валу, несправність циліндра чи поршневих кілець або ненадійне ущільнення свічки запалювання
Проблеми теплового запуску	Механічна несправність	Стартер не вмикається	Зламана пружина стартера, пошкоджені деталі всередині двигуна
	Постачання пального	Бак заповнений, є іскра запалювання	Карбюратор засмічений, прочистіть його
Недостатня продуктивність		Одночасне ураження декількох систем	Бак заповнений
	Неналежний холостий хід двигуна		Несправність вентиля паливного баку, перервано лінію постачання пального, несправність кабелю або пускового перемикача
			Засмічений повітряний фільтр, карбюратор, глушитель або витяжний канал у циліндрі



Елемент	Час роботи	DR		Щодня (10 год.)	25 год.	50 год.	200 год.	Зберігання/ відпочинок
		Перед роботою	Після змащування					
Увесь інструмент	Оглядати візуально	<input type="radio"/>						
Моторне мастило	Перевіряти	<input type="radio"/>						
	Замінити					<input type="radio"/> *1		
Деталі, які підлягають затягуванню (болт, гайка)	Перевіряти	<input type="radio"/>						
Паливний бак	Перевіряти	<input type="radio"/>						
	Злити пальне							<input type="radio"/> *3
Важіль постачання пального	Перевіряти функціональність	<input type="radio"/>	<input type="radio"/>					
Пусковий перемикач	Перевіряти функціональність	<input type="radio"/>	<input type="radio"/>					
Швидкість холостого ходу	Перевіряти/регулювати			<input type="radio"/>				
Повітряний фільтр	Чистити			<input type="radio"/>				
Свічка запалювання	Перевіряти			<input type="radio"/>				
Канал охолоджувального повітря	Чистити/перевіряти			<input type="radio"/>				
Паливна трубка	Перевіряти			<input type="radio"/>				
	Замінити						<input checked="" type="radio"/> *2	
Паливний фільтр	Чистити/замінити					<input type="radio"/>		
Зазор клапана (впускний та випускний клапан)	Перевіряти/регулювати						<input checked="" type="radio"/> *2	
Капітальний ремонт двигуна							<input checked="" type="radio"/> *2	
Карбюратор	Злити пальне							<input type="radio"/> *3
Отвір подачі мастила для ланцюга	Чистити			<input type="radio"/>				
Шина	Чистити паз та отвір подачі мастила для ланцюга			<input type="radio"/>				
	Перевіряти			<input type="radio"/>				
	Додати консистентне мастило			<input type="radio"/>				
Редуктор	Додати консистентне мастило				<input type="radio"/>			
Зірочка	Перевіряти					<input type="radio"/>		
Пиляльний ланцюг	Замінити або звернутися до сервісного центру з питання заточування							<input type="radio"/> *4

\*1 Виконайте першу заміну після 20 годин роботи.

\*2 Для проведення огляду після 200 годин роботи зверніться до авторизованого сервісного центру.

\*3 Після того як Ви злили все пальне з паливного баку, продовжуйте роботу двигуна, доки не закінчиться пальне у карбюраторі.

\*4 У разі необхідності.

## ВІЯВЛЕННЯ ТА УСУНЕННЯ НЕСПРАВНОСТЕЙ



Перш ніж зробити замовлення на ремонт, перевірте **несправність самостійно**. У разі виявлення несправності здійснюйте керування інструментом таким чином, як описано в цій інструкції з експлуатації. Ніколи не втручайтеся в роботу інструмента та не розбирайте його, якщо це суперечить указівкам, наведеним у цій інструкції з експлуатації. З питань ремонту звертайтеся до авторизованого сервісного центру або до місцевого представництва компанії.

Стан несправності	Ймовірна причина (несправність)	Спосіб виправлення
Двигун не запускається	Не був задіяний насос підкачування.	Натисніть 7–10 разів.
	Низька швидкість витягування троса стартера.	Тягніть сильніше.
	Нестача пального.	Залийте пальне.
	Засмічений паливний фільтр.	Прочистіть його.
	Від'єднаний паливний трубопровід.	Приєднайте паливний трубопровід належним чином.
	Зігнутий паливний трубопровід.	Випряміть паливний трубопровід.
	Зіпсоване пальне.	Зіпсоване пальне спричиняє труднощі під час запуску двигуна. Замініть новим (рекомендований строк заміни: 1 місяць).
	Надмірне усмоктування пального.	Установіть важіль постачання пального на середню або на високу швидкість та потягніть за ручку стартера, доки двигун не запуститься. Коли двигун запустився, пиляльний ланцюг починає обертатися. Будьте уважними із пиляльним ланцюгом. Якщо двигун все ще не запускається, витягніть свічку запалювання, висушіть електроди та встановіть її знову на місце. Після цього запустіть двигун, як описано вище.
	Від'єднаний ковпачок свічки запалювання.	Надійно прикріпіть.
	Засмічена свічка запалювання.	Почистіть її.
	Неналежний зазор свічки запалювання.	Налаштуйте зазор.
	Інша несправність свічки запалювання.	Замініть її.
	Несправний карбюратор.	Зробіть замовлення на перевірку та технічне обслуговування.
	Неможливо тягнути за трос стартера.	Зробіть замовлення на перевірку та технічне обслуговування.
Несправна трансмісія.	Зробіть замовлення на перевірку та технічне обслуговування.	
Двигун швидко зупиняється Швидкість двигуна не збільшується	Недостатнє прогрівання.	Здійсніть процедуру прогрівання.
	Важіль дроселювання встановлений в положення ЗАКРИТИ, хоча двигун прогрітий.	Установіть його в положення ВІДКРИТИ.
	Засмічений паливний фільтр.	Почистіть його.
	Забруднений чи засмічений повітряний фільтр.	Почистіть його.
	Несправний карбюратор.	Зробіть замовлення на перевірку та технічне обслуговування.
	Несправна трансмісія.	Зробіть замовлення на перевірку та технічне обслуговування.
Відсутнє постачання мастила для ланцюга.	Бак для мастила порожній.	Залийте мастило для ланцюга у бак для мастила.
	Отвір подачі мастила для ланцюга забруднений.	Прочистіть отвір подачі мастила для ланцюга на інструменті та на шині.
	Регульовальний гвинт інтенсивності подачі мастила для ланцюга встановлений неправильно.	Установіть регульовальний гвинт належним чином.
Пиляльний ланцюг не обертається ↓ Негайно зупиніть двигун	Шина деформована або пошкоджена.	Замініть шину.
	У пиляльному ланцюзі застрягли сторонні предмети.	Зупиніть двигун та видаліть сторонні предмети.
	Несправна трансмісія.	Зробіть замовлення на перевірку та технічне обслуговування.
Завелика вібрація інструмента ↓ Негайно зупиніть двигун	Зламана, погнута або зношена шина.	Замініть шину.
	Послаблений пиляльний ланцюг.	Налаштуйте натяг пиляльного ланцюга.
	Несправна трансмісія.	Зробіть замовлення на перевірку та технічне обслуговування.
Пиляльний ланцюг не зупиняється ↓ Негайно зупиніть двигун	Висока швидкість обертання на холостому ходу.	Налаштуйте швидкість холостого ходу.
	Проблема з дротами системи постачання пального.	З питання заміни зверніться до авторизованого сервісного центру.
	Несправна трансмісія.	Зробіть замовлення на перевірку та технічне обслуговування.
Двигун не зупиняється ↓ Запустіть двигун на холостому ходу та встановіть важіль дроселювання в положення ЗАКРИТИ	Від'єднаний з'єднувач із пусковим перемикачем.	Надійно прикріпіть.
	Несправність електричної системи.	Зробіть замовлення на перевірку та технічне обслуговування.

Якщо двигун не запускається після прогрівання:

Якщо ніяких несправностей деталей не виявлено, відкрийте дросельну заслінку приблизно на 1/3 та запустіть двигун.



Dziękujemy za zakup spalinowej pilarki łańcuchowej do gałęzi marki MAKITA. Z przyjemnością polecamy Państwu spalinową pilarkę łańcuchową do gałęzi MAKITA, będącą owocem długiego programu rozwoju oraz wieloletniej wiedzy i doświadczenia.

Uważnie przeczytać niniejszą broszurę, która w szczegółowy sposób opisuje funkcje urządzenia i jego doskonałe parametry techniczne. Umożliwi ona Państwu optymalne wykorzystanie spalinowej pilarki łańcuchowej do gałęzi MAKITA.



**Spis treści**

**Strona**

Symbole.....	52
Zasady bezpieczeństwa .....	53
Dane techniczne.....	59
Opis części .....	60
Montaż i regulacja .....	61
Przed rozpoczęciem pracy .....	64
Uruchamianie i wyłączenie urządzenia .....	66
Obsługa .....	68
Zalecenia dotyczące serwisowania .....	68
Przechowywanie.....	74

**SYMBOLE**

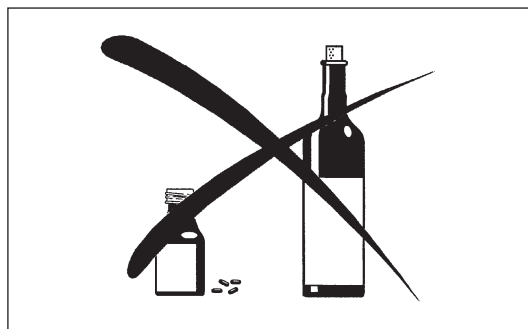
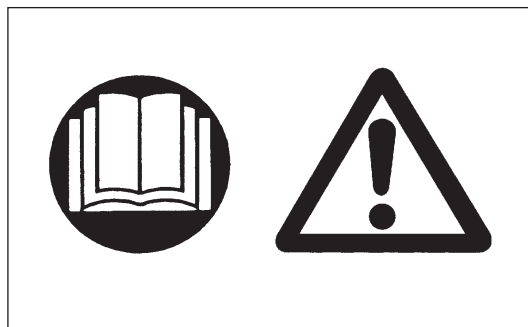
Podczas czytania niniejszej instrukcji obsługi można napotkać następujące symbole.

	Przeczytać i postępować zgodnie z ostrzeżeniami i środkami ostrożności!		Zabrania się używania otwartego ognia!
	Zachować szczególną ostrożność!		Olej łańcuchowy.
	Nosić kask ochronny oraz odpowiednią ochronę oczu i słuchu.		Nie pozwalać, aby w miejscu pracy przebywały jakiegokolwiek osoby lub zwierzęta!
	Nosić rękawice ochronne!		Paliwo (benzyna)
	Nosić wytrzymałe obuwie robocze na podszewie antypoślizgowej.		Ręczne uruchomienie silnika
	Zachować odległość przynajmniej 15 m (50 stóp) pomiędzy urządzeniem a osobami postronnymi i/lub linią elektryczną (wraz z gałęziami znajdującymi się w kontakcie z linią). Zagrożenie porażeniem prądem elektrycznym i/lub obrażeniami ciała.		Pierwsza pomoc
	Nigdy nie trzymać pilarki łańcuchowej pod kątem większym niż 60°.		ON/START
	Prędkość łańcucha.		OFF/STOP
	Zabronione!		Wyłączenie awaryjne
	Zakaz palenia!		



### Zalecenia ogólne

- Aby zapewnić prawidłowe działanie urządzenia, użytkownik musi przeczytać niniejszą instrukcję obsługi i zapoznać się z jego obsługą. Użytkownicy posiadający niewystarczającą wiedzę w zakresie obsługi urządzenia stwarzają zagrożenie zarówno dla siebie samych, jak i dla innych osób.
- Zaleca się pożyczanie urządzenia wyłącznie osobom, które posiadają doświadczenie w zakresie pracy z tego typu sprzętem. Wraz z urządzeniem należy zawsze przekazać instrukcję obsługi.
- Nowi użytkownicy powinni zwrócić się do sprzedawcy w celu uzyskania podstawowych instrukcji i zaznajomienia się z obsługą pilarki z napędem.
- Zabrania się dzieciom oraz młodzieży poniżej 18 roku życia obsługi urządzenia. Osoby powyżej 16 roku życia mogą obsługiwać urządzenie do celów, do których zostały wcześniej przeszkolone, jednakże wyłącznie pod opieką wyszkolonej osoby.
- Korzystać z urządzenia przy zachowaniu szczególnej ostrożności i uwagi.
- Obsługiwać urządzenie, będąc wyłącznie w dobrej kondycji fizycznej. Wszelkie czynności powinny być wykonywane spokojnie i ostrożnie. Użytkownik jest odpowiedzialny za bezpieczeństwo innych osób.
- Nie wolno używać urządzenia, będąc pod wpływem alkoholu lub narkotyków, gdy jest się zmęczonym lub chorym.
- Nigdy nie modyfikować urządzenia.
- Przepisy krajowe mogą ograniczać w pewnym zakresie użytkowanie urządzenia. Postępować zgodnie z przepisami dotyczącymi piłarek łańcuchowych i pił łańcuchowych obowiązujących w danym kraju.

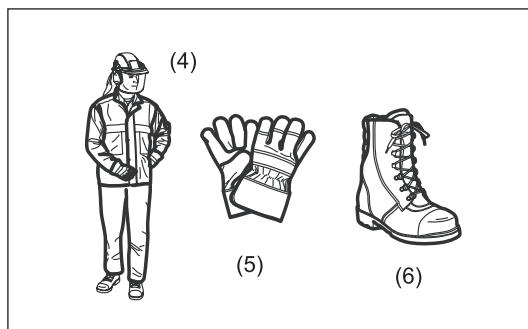
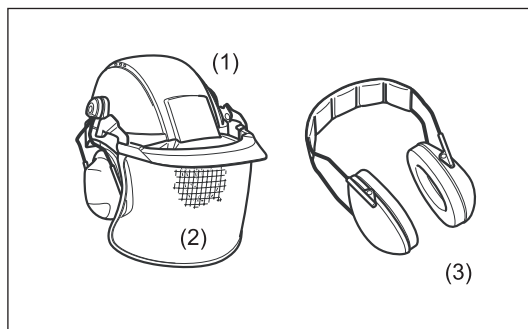


### Przeznaczenie urządzenia

Niniejsze urządzenie zostało przeznaczone do przycinania gałęzi i konarów o średnicy mniejszej niż 15 cm. Nigdy nie używać urządzenia do innych celów. Niewłaściwe zastosowanie urządzenia może prowadzić do powstania poważnych obrażeń ciała.

### Sprzęt ochrony indywidualnej

- Odzież noszona podczas pracy powinna być funkcjonalna i odpowiednia, tzn. powinna przylegać do ciała, ale nie może krępować ruchów. Nie nosić biżuterii ani odzieży, która mogłaby się zaplątać w krzewy lub gałęzie.
- Aby uniknąć obrażeń głowy, oczu, dłoni lub stóp, jak również w celu ochrony słuchu, podczas pracy z urządzeniem należy używać następującego sprzętu ochrony indywidualnej.
- Jeżeli istnieje zagrożenie bezpieczeństwa przez spadające przedmioty, należy zawsze nosić kask ochronny. Kask ochronny (1) należy regularnie sprawdzać pod kątem ewentualnych uszkodzeń i wymieniać przynajmniej raz na 5 lat. Używać tylko atestowanych kasków ochronnych.
- Osłona twarzy (2) kasku (lub alternatywnie gogle) chronią twarz przed latającymi odpadami i kamieniami. Podczas obsługi urządzenia zawsze należy nosić okulary ochronne lub osłonę twarzy, aby zapobiec obrażeniom oczu.
- Stosować odpowiednie zabezpieczenie słuchu (nauszniki (3), zatyczki do uszu itp.).
- Kombinezon ochronny (4) chroni ciało przed latającymi kamieniami i odpadami. Zaleca się noszenie kombinezonu ochronnego.
- Specjalne rękawice ochronne (5) wykonane z grubej skóry stanowią część opisanego wcześniej sprzętu i należy je zawsze nosić podczas obsługi urządzenia.
- Podczas eksploatacji urządzenia zaleca się noszenie obuwia roboczego (6) na podeszwie antypoślizgowej. Takie obuwie chroni przed obrażeniami i zapewnia stabilne oparcie.
- Podczas obchodzenia się z łańcuchem pilarki lub podczas regulacji napięcia łańcucha należy nosić rękawice ochronne. Łańcuch pilarki może poważnie zranić odsłonięte dłonie.



## Bezpieczeństwo w miejscu pracy



- **⚠ Niebezpieczeństwo:** Podczas obsługi pilarki łańcuchowej zachować odległość przynajmniej 15 m od linii elektrycznych oraz przewodów komunikacyjnych (uwzględniając również gałęzie znajdujące się w kontakcie z nimi). Kontakt z lub zbliżanie pilarki łańcuchowej do linii wysokiego napięcia może prowadzić do śmierci lub poważnych obrażeń ciała. Zwrócić uwagę na linie napięcia oraz ogrodzenia elektryczne wokół obszaru pracy przed uruchomieniem urządzenia.
- Pilarkę łańcuchową należy używać tylko przy dobrym oświetleniu i odpowiedniej widoczności. Nie używać pilarki łańcuchowej w ciemności lub podczas mgły.
- Uruchamiać silnik i utrzymywać go w trybie pracy tylko na zewnątrz, w dobrze wentylowanym obszarze. Praca silnika w zamkniętym lub słabo wentylowanym pomieszczeniu może prowadzić do śmierci w wyniku uduszenia lub zatrucia tlenkiem węgla.
- Podczas obsługi urządzenia nigdy nie stawać na niestabilnej lub śliskiej nawierzchni bądź stromym zboczu. Podczas zimy należy zwrócić szczególną uwagę na lód i śnieg oraz zawsze przyjąć stabilną pozycję.
- Podczas obsługi pilarki łańcuchowej należy zachować odległość co najmniej 15 m od osób postronnych i zwierząt. Wyłączyć silnik w przypadku zbliżenia się osoby trzeciej.
- Przed użyciem urządzenia należy sprawdzić obszar roboczy pod kątem występowania ogrodzeń drucianych, ścian lub innych obiektów. Mogą one doprowadzić do uszkodzenia łańcucha pilarki.
- **⚠ OSTRZEŻENIE:** Eksploatacja niniejszego produktu może prowadzić do powstania pyłu zawierającego substancje chemiczne, które mogą przedostać się do układu oddechowego lub przyczynić się do innych dolegliwości. Niektóre substancje chemiczne mogą stanowić związki występujące w pestycydach, środkach owadobójczych, nawozach i środkach chwastobójczych. Stopień narażenia na te substancje zależy od tego, jak często wykonywane są tego typu prace. Aby zmniejszyć zagrożenie na powyższe substancje chemiczne: należy pracować w miejscach dobrze wentylowanych i używać zatwierdzonego sprzętu ochrony indywidualnej, takiego jak maski przeznaczone do odfiltrowywania mikroskopijnych cząstek.

## Uruchamianie urządzenia

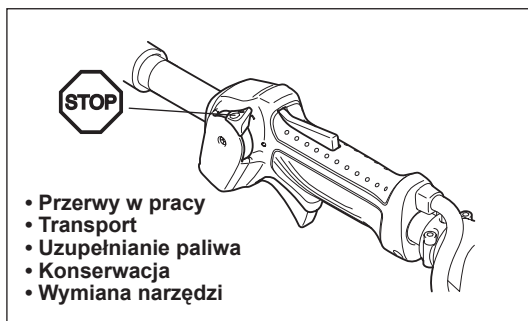
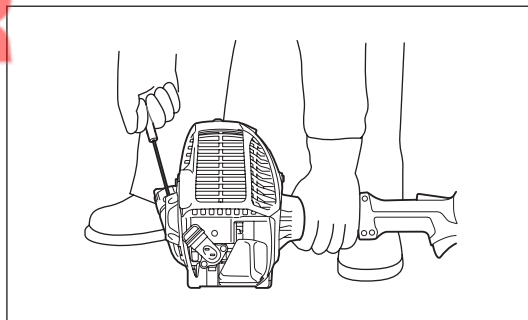
- Przed montażem lub regulacją urządzenia należy wyłączyć silnik i usunąć nasadkę świecy zapłonowej.
- Przed uruchomieniem silnika należy przeprowadzić kontrolę urządzenia pod kątem uszkodzeń, poluzowanych śrub/nakrętek lub nieprawidłowego montażu. Naostrzyć łańcuch pilarki. W przypadku wygięcia lub uszkodzenia łańcucha pilarki, należy go wymienić. Sprawdzić wszystkie dźwignie sterujące i przełączniki pod kątem prawidłowego działania. Oczyszczyć i osuszyć uchwyty.
- Nie uruchamiać silnika, jeżeli urządzenie jest uszkodzone lub nie jest całkowicie zmontowane. W przeciwnym wypadku może to przyczynić się do powstania poważnych obrażeń.
- Wyregulować prawidłowo napięcie łańcucha. W razie konieczności, uzupełnić olej łańcuchowy.

## Uruchamianie silnika

- Upewnić się, że w pobliżu pracy z urządzeniem nie przebywają żadne dzieci, inne osoby lub zwierzęta.
- Przed uruchomieniem silnika użyć odpowiedniego sprzętu ochrony indywidualnej.
- Upewnić się, że przyrząd jest prawidłowo zamocowany na miejscu, a także czy dźwignia sterująca działa prawidłowo. Sprawdzić również dźwignię blokującą pod kątem prawidłowego działania.
- Jeśli łańcuch pilarki pracuje na biegu jałowym, należy zatrzymać silnik i wyregulować prędkość biegu jałowego, zmniejszając ją. W przypadku wątpliwości skontaktować się z autoryzowanym centrum serwisowym w celu uzyskania informacji na temat regulacji. Sprawdzić, czy uchwyty są czyste i suche oraz przetestować działanie przełącznika start/stop.

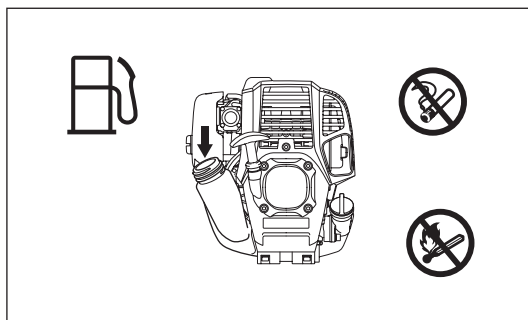
Uruchomić silnik wyłącznie zgodnie z instrukcją.

- Nie stosować żadnej innej metody w celu uruchomienia silnika!
- Umieścić urządzenie na wytrzymałej powierzchni. Zachować prawidłową postawę i równowagę.
- Podczas pociągnięcia uchwytu rozrusznika przytrzymać mocno lewą ręką urządzenie względem ziemi. Nigdy nie stawać na wałku napędowym.
- Przed uruchomieniem silnika należy upewnić się, że w obszarze pracy nie przebywają osoby trzecie lub zwierzęta.
- Podczas uruchamiania silnika należy trzymać łańcuch pilarki i prowadnicę z dala od ciała i innych obiektów, a także ziemi. Łańcuch pilarki może zostać wprowadzony w ruch podczas uruchamiania i przyczynić się do powstania poważnych obrażeń ciała lub uszkodzenia samego łańcucha pilarki i/lub innej własności.
- W razie jakichkolwiek problemów z silnikiem należy natychmiast go wyłączyć.
- W przypadku uderzenia łańcucha pilarki o kamień lub inne twarde przedmioty należy natychmiast wyłączyć silnik o sprawdzić urządzenie pod kątem ewentualnych uszkodzeń.
- Urządzenie należy obsługiwać tylko z zamocowanym paskiem na ramię, który należy odpowiednio dopasować przed uruchomieniem urządzenia. Aby zapobiec zmęczeniu użytkownika podczas pracy, konieczne jest wyregulowanie paska na ramię stosownie do jego wzrostu i sylwetki. Podczas pracy nigdy nie trzymać pilarki jedną ręką.
- Pasek na ramię należy regulować wyłącznie podczas pracy silnika na biegu jałowym. Podczas pracy trzymać mocno urządzenie po prawej stronie ciała.
- Wszystkie zabezpieczenia i osłony dostarczone wraz z urządzeniem muszą być używane podczas pracy.
- Nigdy nie używać urządzenia z uszkodzonym tłumikiem wydechowym.
- Oprócz wyjątkowych przypadków, nie wolno upuszczać ani rzucać urządzenia na podłoże, ponieważ grozi to jego poważnym uszkodzeniem.



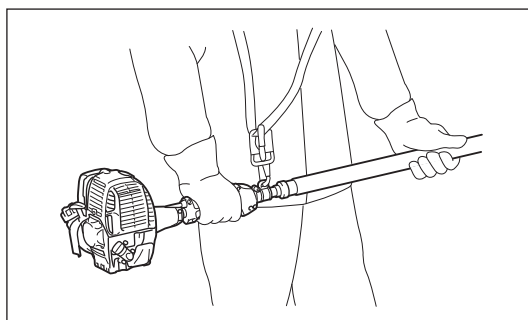
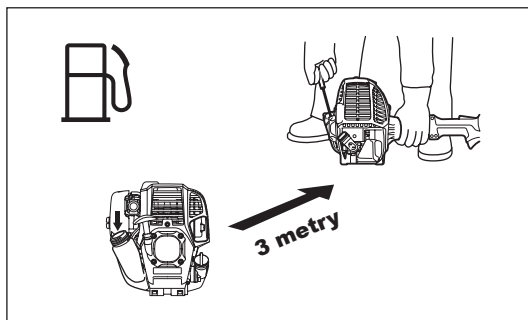
### Uzupełnianie paliwa

- Przed uzupełnieniem paliwa należy wyłączyć silnik; nie zbliżać się do otwartego ognia i nie palić tytoniu.
- Unikać kontaktu skóry z produktami zawierającymi oleje mineralne. Nie wdychać oparów paliwa. Podczas uzupełniania paliwa zawsze nosić rękawice ochronne. Pamiętać o regularnej zmianie i praniu odzieży ochronnej.
- Aby zapobiec skażeniu gleby (ochrona środowiska), nie dopuszczać do rozlania paliwa lub oleju. W przypadku rozlania paliwa natychmiast wyczyścić urządzenie.
- Unikać kontaktu paliwa z odzieżą. W przypadku rozlania paliwa na odzież należy się natychmiast przebrać (aby zapobiec zapaleniu się odzieży).
- Regularnie sprawdzać korek wlewu paliwa i upewnić się, że można go dokładnie dokręcić i że jest całkowicie szczelny.
- Starannie dokręcić korek wlewu paliwa. Przed uruchomieniem silnika zmienić miejsce (min. 3 metry od miejsca uzupełniania paliwa).
- Nigdy nie uzupełniać zbiornika paliwem w pomieszczeniach zamkniętych. Opary paliwa gromadzą się na poziomym podłożu (ryzyko wybuchu).
- Paliwo można transportować i przechowywać tylko w atestowanych kanistrach. Upewnić się, że paliwo jest przechowywane w miejscu niedostępnym dla dzieci.



### Metoda pracy

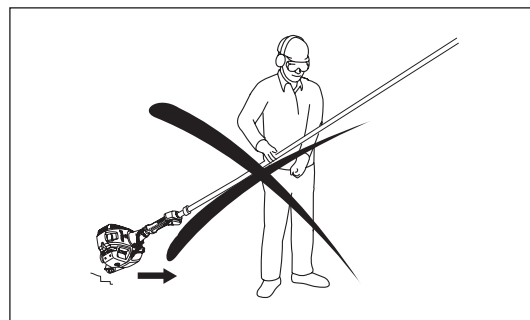
- W przypadku niebezpieczeństwa wyłączyć natychmiast silnik.
- W przypadku zauważenia pracy urządzenia odbiegającego od normy (np. hałas, wibracje) należy wyłączyć silnik. Nie używać urządzenia dopóki przyczyna nie zostanie rozpoznana i problem rozwiązany.
- Łańcuch pilarki pozostaje w ruchu przez krótką chwilę po zwolnieniu spustu przepustnicy. Nie dotykać od razu łańcucha pilarki po jej wyłączeniu.
- Uchwyt przedni trzymać lewą ręką, a uchwyt tylny prawą ręką, niezależnie od tego czy operator jest prawo- czy leworęczny. Uchwyty trzymać mocno palcami i kciukami.
- Nigdy nie używać urządzenia, trzymając je jedną ręką. Utrata kontroli nad urządzeniem może prowadzić do powstania poważnych lub śmiertelnych obrażeń ciała. W celu zmniejszenia ryzyka powstania obrażeń trzymać dłonie i stopy z dala od ostrzy.
- Nie wolno sięgać urządzeniem zbyt daleko. Należy stać pewnie, aby nie stracić równowagi.
- Zwracać uwagę na ukryte przeszkody, takie jak pnie drzew, korzenie i rowy w celu uniknięcia potknięcia. Usunąć spadające gałęzie oraz inne obiekty.
- W przypadku silnego uderzenia urządzeniem lub jego upadku, sprawdzić stan urządzenia przed ponownym przystąpieniem do kontynuowania pracy. Sprawdzić układ paliwowy pod kątem szczelności oraz elementy sterujące i urządzenia zabezpieczające pod kątem prawidłowego działania. W przypadku stwierdzenia uszkodzenia lub wątpliwości co do prawidłowej pracy urządzenia, należy zwrócić się do autoryzowanego centrum serwisowego Makita w celu przeprowadzenia przeglądu i naprawy.
- Nie dotykać przekładni. Podczas pracy przekładnia nagrzewa się.
- W przypadku pozostawienia urządzenia, nawet na krótką chwilę, należy zawsze wyłączyć silnik. Pozostawione bez nadzoru urządzenie z włączonym silnikiem może zostać użyte przez nieupoważnioną osobę i doprowadzić do poważnego wypadku.



- Należy chronić środowisko naturalne. Unikać zbędnej pracy przepustnicy w celu zmniejszenia zanieczyszczenia środowiska i obniżenia poziomu hałasu. Wyregulować prawidłowo gaźnik.
- Podczas pracy lub po jej zakończeniu nie odkładać gorącego urządzenia na suchą trawę lub inne łatwopalne powierzchnie.
- Nie trzymać prawej ręki powyżej wysokości barku.
- Podczas pracy z urządzeniem nigdy nie uderzać łańcuchem pilarki w twarde obiekty, takie jak kamienie czy gwoździe. Zachować szczególną ostrożność podczas cięcia gałęzi w pobliżu ścian, ogrodzeń drucianych itp.
- W przypadku zablokowania się gałęzi w łańcuchu pilarki należy zawsze wyłączyć silnik i usunąć nasadkę świecy zapłonowej. W przeciwnym razie przypadkowe uruchomienie może spowodować poważne obrażenia.
- Jeśli łańcuch pilarki zostanie zablokowany, należy zawsze wyłączyć silnik i usunąć nasadkę świecy zapłonowej przed przystąpieniem do czyszczenia.
- Zwiększanie prędkości silnika podczas zablokowania łańcucha pilarki zwiększa obciążenie i może uszkodzić silnik i/lub sprzęgło.
- Przed przystąpieniem do obcinania konarów przewidziany obszar umożliwiający ucieczkę powinien być z dala od spadających konarów. W pierwszej kolejności należy oczyścić obszar roboczy z przeszkód, takich jak gałęzie i konary. Przesunąć wszystkie narzędzia i inne własności poza obszar roboczy w bezpieczne miejsce.
- Przed przystąpieniem do obcinania gałęzi i konarów sprawdzić kierunek ich spadania, uwzględniając ich stan oraz sąsiadujące z nimi drzewa, a także kierunek wiatru itp. Szczególną uwagę należy zwrócić na kierunek spadania konarów i gałęzi oraz kierunek odbijania się gałęzi po ich uderzeniu o podłoże.
- Nigdy nie trzymać pilarki łańcuchowej pod kątem większym niż 60°. W przeciwnym wypadku spadające gałęzie mogą uderzyć operatora i poważnie go zranić. Nigdy nie stać bezpośrednio pod obcinanym konarem.
- Zwrócić uwagę na połamane lub wygięte konary. Mogą one odskoczyć podczas cięcia, powodując nieoczekiwane obrażenia.
- Przed przystąpieniem do cięcia wyznaczonych konarów, usunąć gałęzie i liście wokół nich. W przeciwnym wypadku pilarka może utknąć pomiędzy nimi.
- W celu niedopuszczenia do zablokowania pilarki w nacięciu nie zwalniać dźwigni przepustnicy przed wysunięciem pilarki z nacięcia.
- W przypadku zakleszczenia łańcucha pilarki w nacięciu należy niezwłocznie wyłączyć silnik. Ostrożnie odchylić gałąź w celu zwolnienia pilarki.
- Unikać odrzutu (obrotowa siła reakcji w kierunku operatora). W celu niedopuszczenia do odrzutu nigdy nie używać nosa prowadnicy ani nie ciąć w głąb. Zawsze zwracać szczególną uwagę na położenie nosa prowadnicy.
- Sprawdzać często napięcie łańcucha. Przed kontrolą lub regulacją napięcia łańcucha należy wyłączyć silnik i usunąć nasadkę świecy zapłonowej. W przypadku poluzowanego łańcucha napiąć go.
- Podczas pracy z urządzeniem należy zmniejszyć do minimum hałas i zanieczyszczenie. W szczególności należy sprawdzić prawidłowe ustawienie gaźnika.
- Nie wolno używać urządzenia, stojąc na drabinie.
- Nie wolno wspinać się na drzewa w celu cięcia.
- Przed przystąpieniem do cięcia odczekać aż łańcuch osiągnie pełną prędkość roboczą.
- Stosować przerwy podczas pracy z urządzeniem, aby zapobiec utracie kontroli w wyniku zmęczenia. Zaleca się 10-20 minutową przerwę po każdej przepracowanej godzinie.

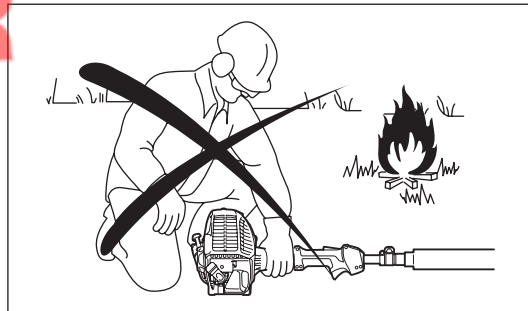
## Transport

- Przed transportem urządzenia należy wyłączyć silnik i usunąć nasadkę świecy zapłonowej.
- Przed transportem urządzenia zawsze zamocować osłonę prowadnicy.
- Zawsze stosować osłonę urządzeniem dostarczoną wraz z urządzeniem.
- Przenosić urządzenie w pozycji poziomej, przytrzymując za drążek. Trzymać gorący tłumik z daleka od ciała.
- Podczas przewożenia urządzenia pojazdem, należy je odpowiednio zabezpieczyć, aby nie dopuścić do jego przewrócenia się. W przeciwnym wypadku może dojść do rozlania się paliwa oraz uszkodzenia urządzenia i innych przewożonych bagaży.
- Wyłączyć silnik na czas transportu.
- Upewnić, że zbiornik paliwa jest całkowicie opróżniony.
- Podczas rozładowywania urządzenia z pojazdu ciężarowego uważać, aby go nie upuścić. Może to doprowadzić do poważnego uszkodzenia zbiornika paliwa.
- Podczas przenoszenia urządzenia należy je całkowicie podnieść z ziemi. Ciągnięcie zbiornika paliwa po podłożu jest niezwykle niebezpieczne i może spowodować jego uszkodzenie oraz wyciek paliwa, mogący doprowadzić do pożaru.



## Instrukcja konserwacji

- Aby urządzenie podlegało serwisowaniu przez nasze autoryzowane centrum serwisowe, należy stosować wyłącznie oryginalne części zamienne. Nieprawidłowa naprawa i konserwacja mogą przyczynić się do skrócenia żywotności urządzenia oraz zwiększyć ryzyko wypadków.
- Przed przystąpieniem do czynności konserwacyjnych, napraw lub czyszczenia urządzenia należy zawsze wyłączyć silnik i usunąć nasadkę świecy zapłonowej. Począkać aż silnik ostygnie.
- W celu zredukowania ryzyka wystąpienia pożaru nigdy nie serwisować ani przechowywać urządzenia w pobliżu ognia.
- Podczas obchodzenia się z łańcuchem pilarki zawsze nosić rękawice ochronne.
- Zawsze czyścić urządzenie z pyłu i zanieczyszczeń. Nie stosować benzyny, rozpuszczalników, alkoholu itp. środków. Substancje takie mogą spowodować odbarwienia, odkształcenia lub pęknięcia elementów z tworzyw sztucznych.
- Po każdym użyciu dokręcić wszystkie śruby i nakrętki, poza śrubami regulacyjnymi.
- Utrzymywać łańcuch pilarki w stanie naostrzonym. W przypadku stępienia się łańcucha pilarki lub spadku wydajności cięcia, należy zwrócić się do autoryzowanego centrum serwisowego Makita w celu naostrzenia lub wymiany łańcucha na nowy.
- Nie wykonywać prac konserwacyjnych i naprawczych, które nie zostały opisane w niniejszej instrukcji obsługi. W celu wykonania tego typu prac należy zwrócić się do autoryzowanego centrum serwisowego Makita.
- Regularnie czyścić urządzenie i sprawdzać, czy wszystkie śruby i nakrętki są prawidłowo dokręcone.
- Zawsze przechowywać urządzenie w pomieszczeniach zamkniętych, z opróżnionym zbiornikiem paliwa.



## Przechowywanie

- Jeżeli urządzenie ma być nieużywane przez dłuższy okres, należy je całkowicie oczyścić i zakonserwować. Zamocować osłonę prowadnicy. Usunąć nasadkę świecy zapłonowej. Spuścić paliwo i olej łańcuchowy po ostygnięciu silnika.
- Urządzenie należy przechowywać w suchym, zamkniętym pomieszczeniu, wysoko, poza zasięgiem dzieci.
- Nie podierać o nic urządzenia, np. o ścianę. Urządzenie może się nagle przewrócić, powodując nieoczekiwane obrażenia.

Przestrzegać instrukcji dotyczących zapobiegania wypadkom wydanych przez organizacje branżowe i firmy ubezpieczeniowe. Nie dokonywać żadnych modyfikacji urządzenia, ponieważ zagraża to bezpieczeństwu.

Zakres prac konserwacyjnych lub naprawczych wykonywanych przez użytkownika ograniczony jest do tych, które opisano w niniejszej instrukcji obsługi. Wszelkie pozostałe prace muszą być wykonywane przez autoryzowane centrum serwisowe. Używać tylko oryginalnych części zamiennych i akcesoriów zalecanych i dostarczonych przez firmę MAKITA. Używanie niezalecanych akcesoriów i narzędzi oznacza zwiększone ryzyko wypadków. Firma MAKITA nie ponosi żadnej odpowiedzialności za wypadki lub szkody spowodowane używaniem niezalecanych przyrządów i elementów mocujących do przyrządów lub niezalecanych akcesoriów.

## Pierwsza pomoc

Należy zadbać, aby w pobliżu miejsca, w którym wykonuje się prace, zawsze dostępna była apteczka pierwszej pomocy, z której można będzie skorzystać w razie wypadku. Wszelkie braki z apteczki należy niezwłocznie uzupełniać.

## Wzywając karetkę, należy podać następujące informacje:

- Miejsce wypadku
- Opis wydarzenia
- Liczbę osób, które odniosły obrażenia
- Rodzaje obrażeń
- Własne imię i nazwisko



## Drgania

- U osób z problemami krążeniowymi, które są narażone na działanie zbyt intensywnych drgań, może dochodzić do uszkodzenia naczyń krwionośnych lub układu nerwowego. Drgania mogą wywoływać poniższe objawy w palcach, rękach lub nadgarstkach: „senność” (odrętwienie), mrowienie, bóle, wrażenie klucia, zmiany w zabarwieniu skóry lub zmiany na skórze. W razie wystąpienia dowolnego z powyższych objawów, należy zasięgnąć porady lekarza!
- W celu zmniejszenia ryzyka wystąpienia „choroby białych palców” należy zapobiegać wyziębieniu dłoni oraz zapewnić prawidłowy stan urządzenia i akcesoriów.





---

## DEKLARACJA ZGODNOŚCI WE

Firma Makita Corporation, jako odpowiedzialny producent, oświadcza niniejszym, że poniższe urządzenia marki Makita:

Oznaczenie maszyny: Spalinowa Pilarka Łańcuchowa Do Gałęzi

Nr modelu / Typ: EY2650H

Dane techniczne: patrz tabela „DANE TECHNICZNE”

są produkowane seryjnie oraz

**spełniają wymagania następujących dyrektyw Unii Europejskiej:**

2006/42/WE

są produkowane zgodnie z następującymi normami lub dokumentami normalizacyjnymi:

EN/ISO11680

Dokumentacja techniczna przechowywana jest przez:

Makita International Europe Ltd., Technical Department,

Michigan Drive, Tongwell, Milton Keynes, Bucks MK15 8JD, Wielka Brytania

Numer certyfikatu badania typu na rynek WE jako pilarki łańcuchowej:

4813008.13001

Badanie typu na rynek WE zgodnie z dyrektywą 2006/42/WE zostało przeprowadzone przez:

DEKRA Testing and Certification GmbH Enderstraße 92b 01277 Dresden, Niemcy

Nr identyfikacyjny 2140

31. 10. 2013

Tomoyasu Kato

Dyrektor

Makita Corporation

3-11-8, Sumiyoshi-cho,

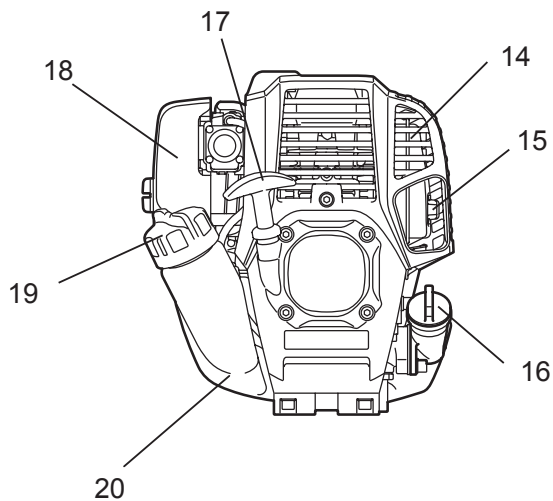
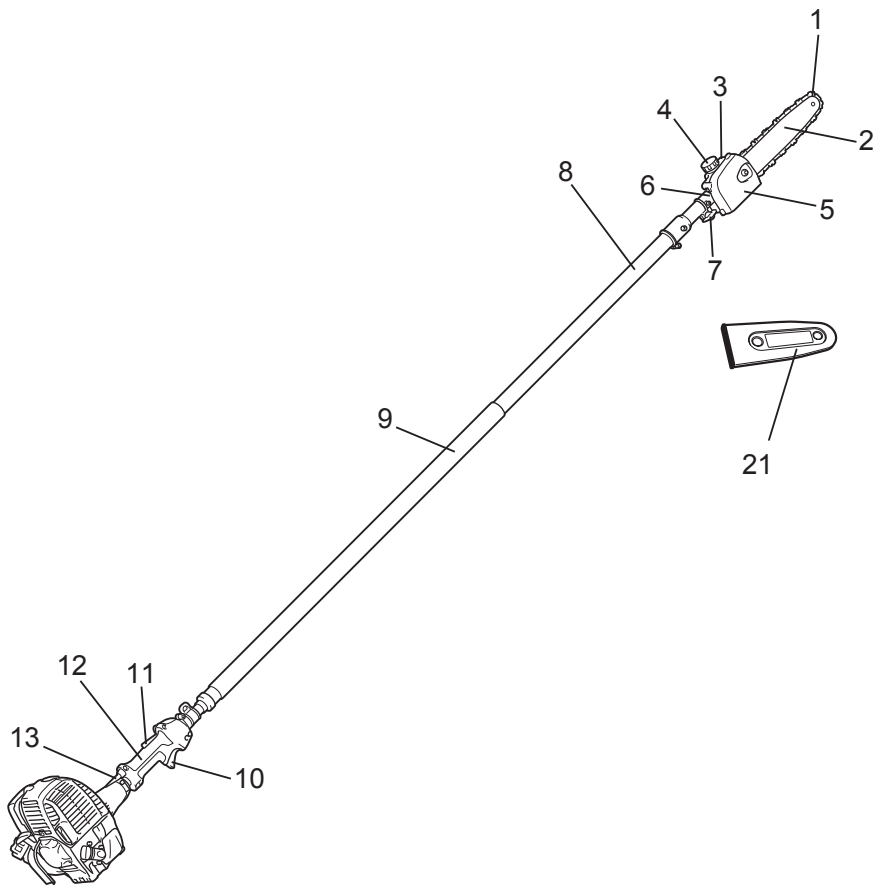
Anjo, Aichi, 446-8502, JAPAN

---

Model		EY2650H		
Wymiary: D x S x W	mm	2 720-3 920 x 223 x 240		
Masa	kg	7,2		
Pojemność zbiornika paliwa	cm <sup>3</sup>	600		
Pojemność zbiornika oleju łańcuchowego	cm <sup>3</sup>	120		
Pojemność skokowa silnika	cm <sup>3</sup>	25,4		
Maks. prędkość łańcucha	m/s	21,0		
Maksymalna moc silnika		0,77 kW przy 7 000 min <sup>-1</sup>		
Obroty silnika przy zalecanej maks. prędkości obrotowej wrzeczona	min <sup>-1</sup>	10 000		
Obroty na biegu jałowym	min <sup>-1</sup>	3 000		
Prędkość włączania sprzęgła	min <sup>-1</sup>	4 400		
Gaźnik		Przeponowy		
Świeca zapłonowa	Typ	NGK CMR4A		
Przerwa między elektrodami	mm	0,7-0,8		
Paliwo		Benzyna samochodowa		
Olej silnikowy		Olej klasy SF lub wyższej w klasyfikacji API lub olej SAE 10W-30 (4-suwowy silnik samochodowy)		
Długość cięcia	mm	255		
Długość prowadnicy	mm (cal)	255 (10")		
Łańcuch pilarki		91VXL-39E		
Podziałka łańcucha	cal	3/8"		
Przyrząd pomiarowy do łańcuchów	mm (cal)	1,3 (0,05")		
Liczba zębów koła łańcuchowego		7		
Olej łańcuchowy		Oryginalny olej łańcuchowy firmy Makita		
Pompa olejowa łańcucha		Pompa numnikowa (samosmarująca)		
Wibracje wg ISO 22867	Prawy uchwyt (tylny uchwyt)	$a_{hv\ eq}$ (drażek w położeniu skróconym)	m/s <sup>2</sup>	5,3
		$a_{hv\ eq}$ (drażek w położeniu wydłużonym)	m/s <sup>2</sup>	6,1
		Niepewność K	m/s <sup>2</sup>	2,0
	Lewy uchwyt (przedni uchwyt)	$a_{hv\ eq}$ (drażek w położeniu skróconym)	m/s <sup>2</sup>	7,2
		$a_{hv\ eq}$ (drażek w położeniu wydłużonym)	m/s <sup>2</sup>	8,6
		Niepewność K	m/s <sup>2</sup>	2,0
Średni poziom ciśnienia akustycznego wg ISO 22868	$L_{PA\ eq}$	dBA	89,5	
	Niepewność K	dBA	2,5	
Średni poziom mocy akustycznej wg ISO 22868	$L_{WA\ eq}$	dBA	107,3	
	Niepewność K	dBA	2,5	

- Ze względu na stale prowadzone prace badawczo-rozwojowe, podane tu dane techniczne mogą ulec zmianie bez powiadomienia.
- W innych krajach urządzenie może mieć odmienne parametry techniczne.

EY2650H



PL	OPIS CZĘŚCI
1	Łańcuch pilarki
2	Prowadnica
3	Zbiornik oleju
4	Korek wlewu oleju
5	Uchwyt prowadnicy
6	Przekładnia
7	Pokrętło
8	Drażek teleskopowy
9	Uchwyt przedni
10	Dźwignia przepustnicy
11	Dźwignia blokująca
12	Uchwyt tylny
13	Linka sterująca
14	Tłumik wydechowy
15	Rura wydechowa
16	Korek wlewu oleju
17	Uchwyt rozrusznika
18	Filtr powietrza
19	Korek wlewu paliwa
20	Zbiornik paliwa
21	Ośłona prowadnicy



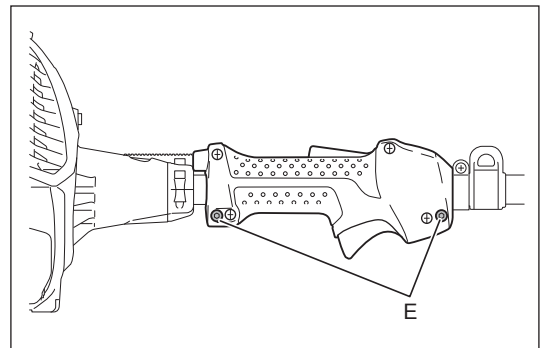
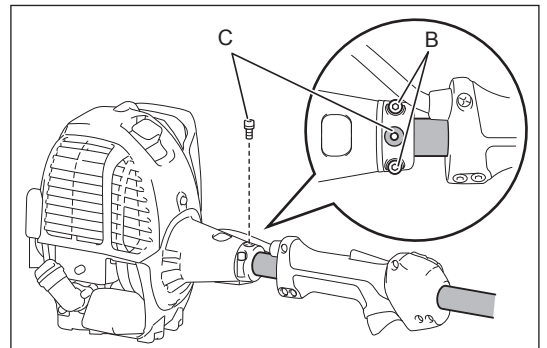
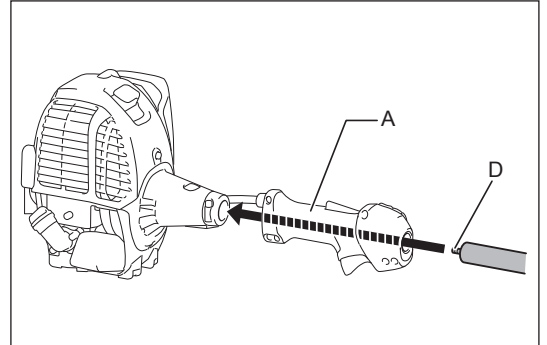
**OSTRZEŻENIE:**

- Przed montażem, regulacją lub przeglądem urządzenia należy wyłączyć silnik i usunąć nasadkę świecy zapłonowej.
- Podczas obchodzenia się z łańcuchem pilarki zawsze nosić rękawice ochronne.
- Przed przystąpieniem do montażu, regulacji i przeglądu odczekać aż łańcuch pilarki ostygnie. Łańcuch pilarki bardzo mocno nagrzewa się podczas pracy i może spowodować oparzenia.

**Montaż drążka i obudowy sprzęgła**

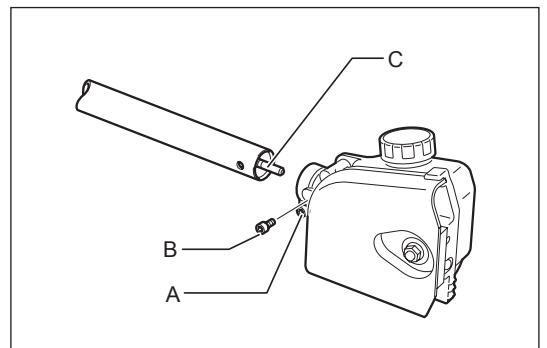
Zamontować drążek z tylnym uchwytem oraz silnik w następujący sposób:

1. Przełożyć drążek przez tylny uchwyt **(A)**.
2. Poluzować dwie śruby mocujące **(B)** i usunąć śrubę środkową **(C)** znajdującą się na obudowie sprzęgła.
3. Wsunąć drążek w obudowę sprzęgła. Jeśli wsunięcie do oporu drążka jest trudne, obrócić nieznacznie wielowypust **(D)**.
4. Wyosiować otwór w drążku z otworem śruby środkowej.
5. Dokręcić śrubę środkową.
6. Dokręcić równomiernie obydwie śruby mocujące.
7. Wyregulować położenie tylnego uchwytu, a następnie zamocować go, dokręcając obydwie śruby **(E)**.


**Montaż drążka i przekładni**

Zamontować drążek z przekładnią w następujący sposób:

1. Poluzować śrubę **(A)**. Następnie usunąć śrubę **(B)**.
2. Wsunąć drążek w przekładnię. Jeśli wsunięcie do oporu drążka jest trudne, obrócić nieznacznie wielowypust **(C)**.
3. Wyosiować otwór w drążku z otworem śruby **(B)**.
4. W pierwszej kolejności dokręcić śrubę **(B)**, a następnie dokręcić śrubę **(A)**.

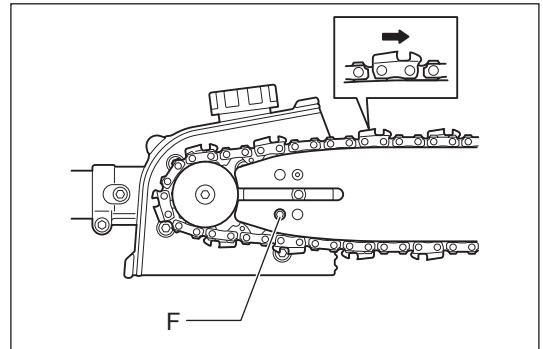
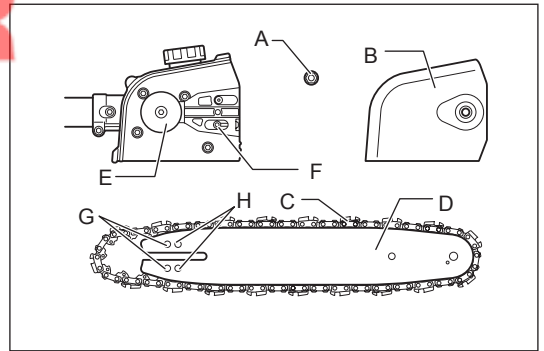


## Montaż łańcucha pilarki i prowadnicy

**UWAGA:** Upewnić się, że łańcuch pilarki, prowadnica oraz koło łańcuchowe pasują do siebie w przyrządzie pomiarowym i podziałce.

Dokonać montażu łańcucha pilarki i prowadnicy w następującej kolejności.

1. Poluzować nakrętkę (A) i zdemontować uchwyt prowadnicy (B).
2. Zamocować łańcuch pilarki (C) w rowku prowadnicy (D). Rozpocząć od nosa prowadnicy.
3. Zamocować łańcuch pilarki (C) na kole łańcuchowym (E).
4. Zamontować prowadnicę (D), tak aby nakrętka naciągowa (F) pasowała do otworu (G) prowadnicy. Otwory (H) nie są używane.
5. Zamocować uchwyt prowadnicy (B) i mocno dokręcić nakrętkę (A). Następnie poluzować nakrętkę o połowę obrotu w celu wyregulowania napięcia łańcucha.
6. Wyregulować napięcie łańcucha. Patrz punkt „Regulacja napięcia łańcucha”.



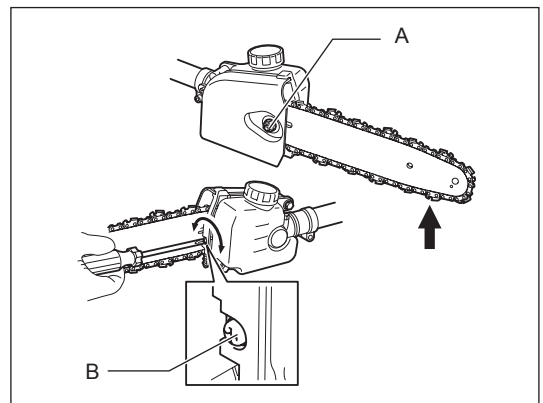
## Regulacja napięcia łańcucha

**UWAGA:**

- Zachować prawidłowe napięcie łańcucha. Zbyt luźne napięcie może powodować spadnięcie łańcucha pilarki podczas pracy. Zbyt mocne napięcie może spowodować uszkodzenie łańcucha pilarki lub prowadnicy.
- Podczas pracy sprawdzać często napięcie łańcucha. Podczas pracy napięcie łańcucha pilarki napina się i poluzowuje. Podczas korzystania z nowego łańcucha pilarki należy częściej regulować napięcie.

Wyregulować napięcie łańcucha w następujący sposób.

1. Poluzować nakrętkę (A) o pół obrotu.
2. Trzymać nos prowadnicy skierowany w górę. Obrócić śrubę naciagową (B) w prawo, do momentu gdy łańcuch pilarki zostanie dopasowany suwliwie od spodu prowadnicy.
3. Chwycić łańcuch pilarki w środku prowadnicy i podnieść go. Przerwa pomiędzy prowadnicą a płytką łączącą łańcucha pilarki powinna wynosić ok. 3-4 mm (0,118"-0,157"). Jeśli nie wynosi, obrócić śrubę naciagową nieznacznie w lewo i ponownie wykonać krok 2.
4. Dokręcić mocno nakrętkę (A).
5. W razie konieczności dokręcić nieznacznie śrubę naciagową, aby nie dopuścić do jej wypadnięcia.



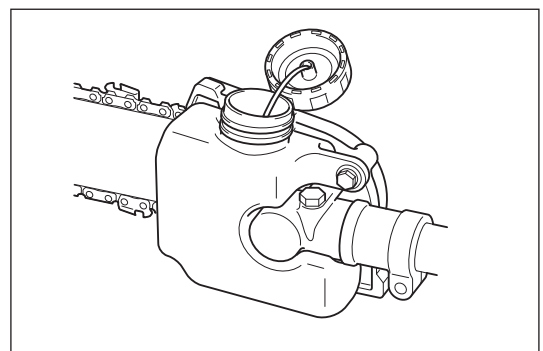
## Napełnianie zbiornika oleju łańcuchowego

Łańcuch pilarki podczas pracy musi być nasmarowany olejem łańcuchowym. Przed uruchomieniem urządzenia należy napełnić zbiornik oleju łańcuchowego. Po uzupełnieniu oleju mocno dokręcić korek wlewu oleju. Stosować wyłącznie oryginalny olej łańcuchowy firmy Makita.

**PRZESTROGA:**

- Nie wolno używać przepracowanego oleju. Może on spowodować uszkodzenie pompy olejowej.
- Nie uzupełniać oleju łańcuchowego w zapyłonym otoczeniu. Pył i inne obce materiały mogą doprowadzić do uszkodzenia układu zasilania oleju.

Podczas pracy z urządzeniem należy zawsze zwracać uwagę na poziom oleju. Uzupełnić olej, jeżeli jego poziom spadnie poniżej wartości dopuszczalnej. Zbiornik oleju będzie pusty po przepracowaniu około 40 minut (w zależności od ustawienia smarowania łańcucha).



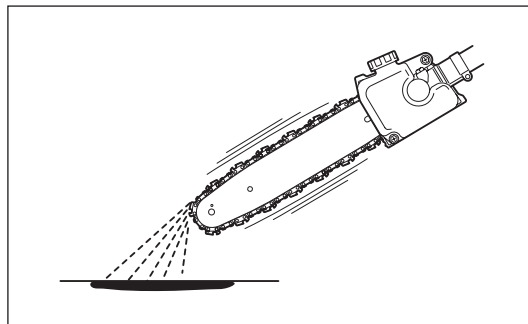
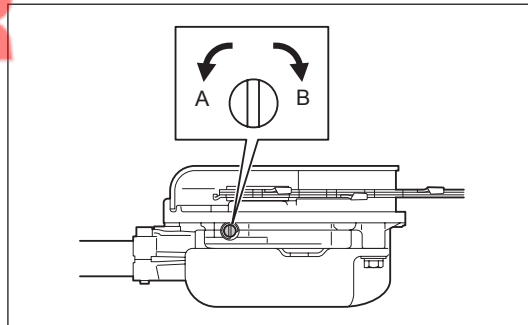
## Regulacja zasilania olejem łańcuchowym

Regulacja zasilania olejem łańcuchowym odbywa się w trzech krokach.

W zależności od pracy urządzenia, np. cięcie twardych konarów, należy wyregulować zasilanie olejem.

W celu wyregulowania zasilania olejem łańcuchowym należy użyć płaskiego wkrętaka. Nacisnąć śrubę nastawczą i obrócić ją. Aby zwiększyć zasilanie, obrócić śrubę nastawczą w lewo (A). Aby zredukować zasilanie, obrócić śrubę nastawczą w prawo (B).

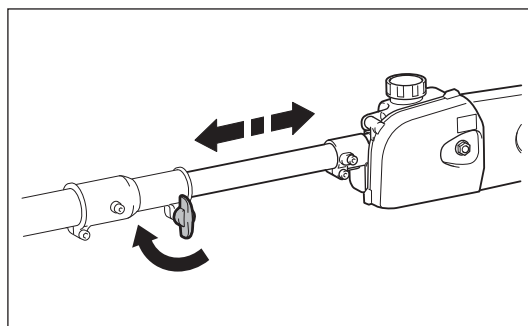
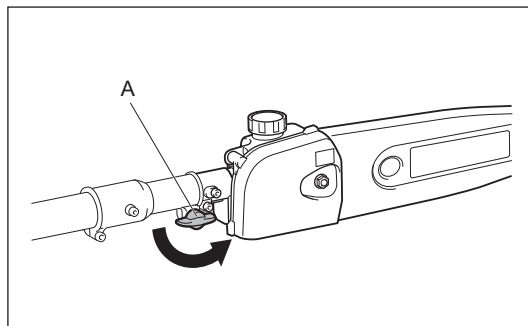
Po zakończeniu regulacji zasilania olejem łańcuchowym sprawdzić zasilanie podczas pracy urządzenia ze średnią prędkością.



## Regulacja długości pilarki łańcuchowej

Wyregulować długość pilarki łańcuchowej w następujący sposób:

1. Odkręcić pokrętło (A), obracając w lewo.
2. Wyregulować długość drążka.
3. Obrócić pokrętło w prawo, aby zamocować przekładnię montowaną na silniku.



## Pasek na ramię

### Regulacja paska na ramię

Wyregulować długość paska indywidualnie do użytkownika.

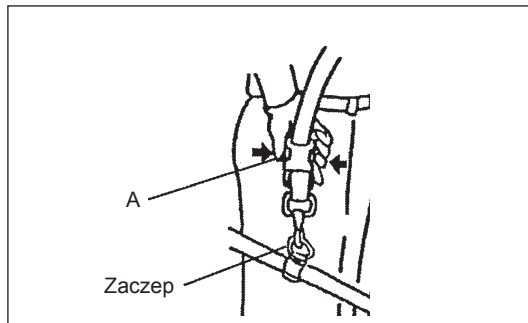
### Odczepianie

W przypadku sytuacji awaryjnej nacisnąć zaczepy (A) po obu stronach i odczepić urządzenie.

Należy zachować szczególną ostrożność, aby nie utracić kontroli nad urządzeniem. Nie dopuścić, aby urządzenie odchyliło się w stronę użytkownika lub jakiegokolwiek innej osoby przebywającej w pobliżu.

**OSTRZEŻENIE:** Niezachowanie całkowitej kontroli nad urządzeniem może spowodować poważne obrażenia lub ŚMIERĆ.

Uwaga: W niektórych krajach pasek na ramię nie posiada funkcji odczepiania.



### Kontrola i uzupełnianie oleju silnikowego

- Po ostygnięciu silnika wykonać następującą procedurę.
- Ustawić silnik poziomo, zdjęć korek wlewu oleju (rys. 1) i sprawdzić, czy poziom oleju mieści się pomiędzy oznaczeniami górnego i dolnego limitu na rurce olejowej (rys. 2).
- Uzupełnić olej do oznaczenia górnego limitu, jeśli jest go zbyt mało (poziom oleju bliski oznaczenia dolnego limitu) (rys. 3).
- Obszar w pobliżu zewnętrznych oznaczeń jest przezroczysty, więc ilość oleju wewnątrz można sprawdzić bez konieczności zdejmowania korka wlewu oleju. Jeśli jednak rurka olejowa będzie bardzo zabrudzona, widoczność może się pogorszyć i trzeba będzie sprawdzić poziom oleju za pomocą elementu stopniowanego wewnątrz rurki olejowej.
- Orientacyjna częstotliwość uzupełniania oleju wynosi około 10 godzin (po każdym 10 tankowaniach). Jeżeli olej zmienił kolor lub jest zmieszany z zanieczyszczeniami, należy go wymienić. (Częstotliwość i sposób wymiany, patrz str. 69)

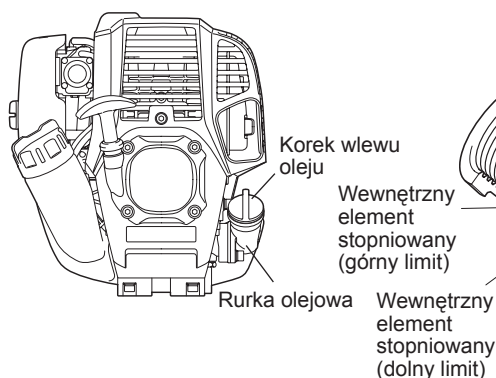
**Zalecany olej:** SAE 10W-30, klasyfikacja API, klasa SF lub wyższa (4-suwowy silnik samochodowy)

**Pojemność oleju:** ok. 0,08 l

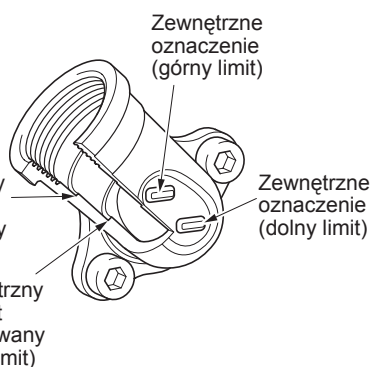
**Uwaga:** Jeżeli silnik nie jest utrzymywany w położeniu pionowym, olej może rozlać się wokół silnika lub można wlać go zbyt dużo. W przypadku wiania nadmiernej ilości oleju może dojść do jego zanieczyszczenia lub zapalenia, przy którym pojawi się biały dym.

#### Punkt 1 – Wymiana oleju: „Korek wlewu oleju”

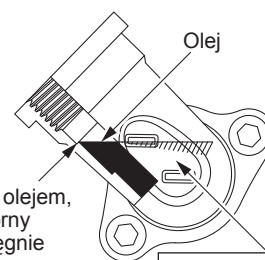
- Usunąć kurz lub zabrudzenia nagromadzone wokół otworu wlewu oleju i odkręcić korek wlewu oleju.
- Chronić odkręcony korek wlewu oleju przed zanieczyszczeniem piaskiem lub kurzem. W przeciwnym wypadku piasek lub kurz znajdujący się na korku może spowodować nieprawidłowy obieg oleju lub zużycie części silnika, prowadząc do awarii.



Rys. 1



Rys. 2 Rurka olejowa

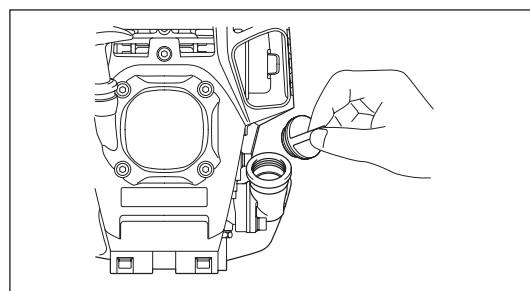


Napełniać olejem, aż jego górny poziom sięgnie elementu wewnętrznego stopniowanego (górny limit).

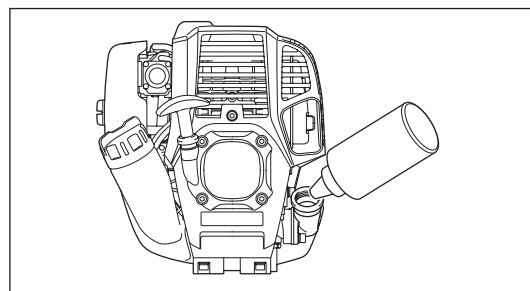
Obszar między zewnętrznym górnym i dolnym limitem jest przezroczysty, więc poziom oleju można sprawdzić z zewnątrz na podstawie tych oznaczeń.

Rys. 3

(1) Trzymać silnik poziomo i zdjęć korek wlewu oleju.



(2) Napełnić olejem do oznaczenia górnego limitu. (patrz rys. 3)  
Napełniać olej z butelki.



(3) Mocno dokręcić korek wlewu oleju. Zbyt słabe dokręcenie może spowodować wyciek oleju.



- Nie wymieniać oleju z silnikiem znajdującym się w przechylnym położeniu.
- Napełnianie oleju przy przechylnym silniku prowadzi do nadmiernego napełnienia przyczyniającego się do zanieczyszczenia oleju i/lub powstawania białego dymu.

### Punkt 2 – Wymiana oleju: „Jeżeli olej się rozleje”

- Jeżeli olej rozleje się pomiędzy zbiornikiem paliwa a korpusem silnika, zostanie zassany przez otwór wlotowy powietrza chłodzenia, co spowoduje zanieczyszczenie silnika. Przed uruchomieniem urządzenia upewnij się, że rozlany olej został wytarty.

## UZUPEŁNIANIE PALIWA

### Obchodzenie się z paliwem

Obchodzić się z paliwem z zachowaniem maksymalnej ostrożności. Paliwa mogą zawierać substancje podobne do rozpuszczalników. Uzupełnianie paliwa należy przeprowadzać wyłącznie w dobrze wentylowanych pomieszczeniach lub na świeżym powietrzu. Nigdy nie wdychać oparów paliwa i trzymać je jak najdalej od siebie. Wielokrotny lub długotrwały kontakt skóry z paliwem powoduje jej wysuszenie i może doprowadzić do choroby skórnej lub alergii. W przypadku dostania się paliwa do oczu, należy je obficie przemyć czystą wodą. Jeżeli oczy są nadal podrażnione, natychmiast zasięgnąć porady lekarskiej. Nie uzupełniać paliwa po zmroku lub na niestabilnej powierzchni.

### Okres przechowywania paliwa

Paliwo należy zużyć w ciągu 4 tygodni, nawet jeżeli jest ono przechowywane w specjalnym kanistrze, w dobrze wentylowanym i zacienionym miejscu.

Jeżeli nie używa się specjalnego kanistra lub nie jest on zakryty, jakość paliwa może się pogorszyć w ciągu jednego dnia.

### PRZECHOWYWANIE URZĄDZENIA I KANISTRA NA PALIWO

- Urządzenie oraz kanister na paliwo należy przechowywać w chłodnym miejscu, z dala od bezpośredniego promieniowania słonecznego.
- Nigdy nie przechowywać paliwa w kabinie lub bagażniku.

### Paliwo

W urządzeniu zamontowany jest silnik czterosuwowy. Należy używać benzyny samochodowej (zwykłej lub premium).

### Zalecenia dotyczące paliwa

- Nigdy nie używać mieszanki paliwa zawierającej olej silnikowy. W przeciwnym wypadku doszłoby do nadmiernego gromadzenia się węgla lub usterek mechanicznych.
- Stosowanie oleju złej jakości powoduje problemy z rozruchem silnika.

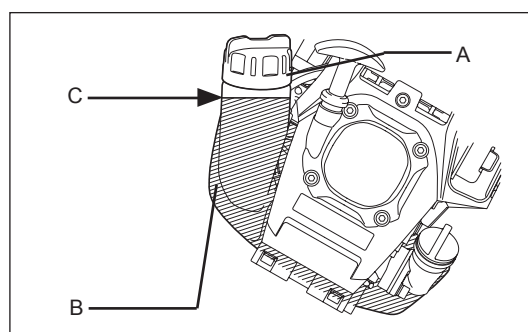
### Uzupełnianie paliwa

#### OSTRZEŻENIE: SUBSTANCJE ŁATWOPALNE SUROWO ZABRONIONE

**UWAGA:** Nie zapomnieć o ponownym zamocowaniu korka wlewu paliwa po zakończeniu uzupełniania paliwa. Nigdy nie uruchamiać silnika przy zdjętym korku wlewu paliwa.

**Używana benzyna:** Benzyna samochodowa (bezołowiowa)

1. Poluzować nieznacznie korek wlewu paliwa (**A**) w celu niedopuszczenia do rozlania się paliwa.
  2. Odkręcić korek wlewu paliwa. Przychylić silnik, aby wlew paliwa był skierowany ku gorze.
  3. Ostrożnie uzupełnić paliwo, odpowietrzając zbiornik paliwa (**B**). (Nie uzupełniać paliwa powyżej górnego limitu paliwa (**C**)).
  4. Wytrzeć powierzchnię wokół korka wlewu, aby zapobiec przedostaniu się zanieczyszczeń do zbiornika paliwa.
  5. Po uzupełnieniu paliwa starannie dokręcić korek wlewu paliwa.
- W przypadku zauważenia pęknięcia lub uszkodzenia korka wlewu, należy go wymienić.
  - Korek wlewu jest częścią ulegającą zużyciu. Należy go wymieniać co dwa-trzy lata.



## UWAGA:

Przestrzegać stosownych przepisów dotyczących zapobiegania wypadkom!

## PRZESTROGA:

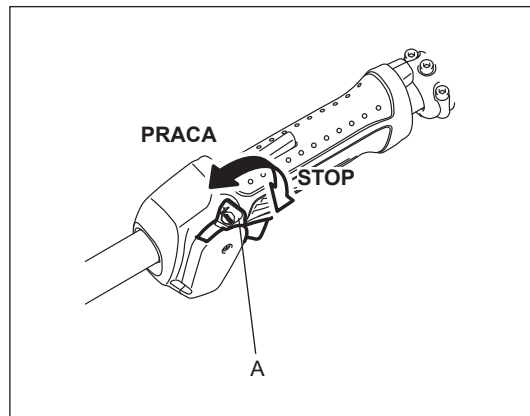
Przed uruchomieniem silnika usunąć osłonę prowadnicy.

## ROZRUCH

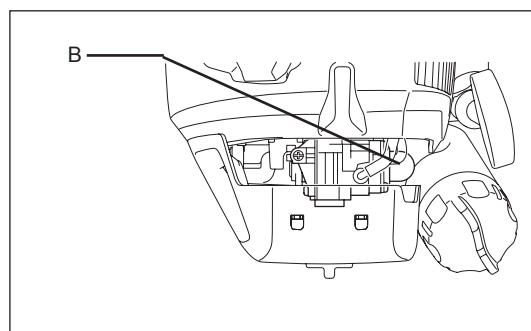
Odsunąć się z urządzeniem na odległość min. 3 m od miejsca uzupełniania paliwa. Umieścić urządzenie na czystym podłożu tak, aby przyrząd nie miał kontaktu z ziemią ani z żadnym innym przedmiotem.

### A: Zimny start

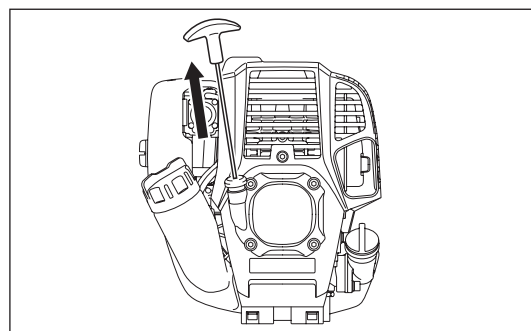
- 1) Umieścić urządzenie na płaskiej powierzchni.
- 2) Ustawić przełącznik I-O (**A**) w położeniu PRACA.



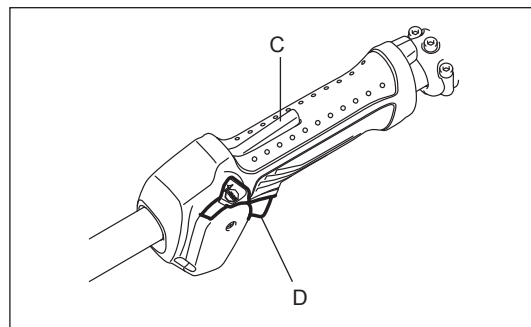
- 3) Pompka zastrzykowa  
Naciskać pompkę zastrzykową (**B**) dopóki paliwo do niej nie dopłynie. (Z reguły paliwo dopływa do pompki zastrzykowej po około 7-10 ruchach). W przypadku nadmiernego wciskania pompki zastrzykowej nadmiar benzyny powraca do zbiornika paliwa.



- 4) Rozrusznik mechaniczny  
Pociągnąć delikatnie za uchwyt rozrusznika aż do napotkania oporu (punkt sprężenia). Następnie cofnąć uchwyt rozrusznika i mocno go pociągnąć. Nigdy nie ciągnąć linki do oporu. Po pociągnięciu uchwytu rozrusznika nie należy zaraz go puszczać. Trzymać uchwyt dopóki nie powróci do położenia pierwotnego.



- 5) Uchwyt został wyposażony w dźwignię blokującą (**C**) w celu niedopuszczenia do przypadkowego uruchomienia. Aby pociągnąć dźwignię przepustnicy (**D**), chwycić uchwyt w celu zwolnienia blokady (przycisk blokady został naciśnięty ręką).



- 6) Rozgrzewanie  
Kontynuować rozgrzewanie przez 2-3 minuty.

Uwaga: W przypadku nadmiernego zassania paliwa należy wyjąć świecę zapłonową i pociągnąć powoli uchwyt rozrusznika, aby usunąć nadmiar paliwa. Osuszyć również odcinek elektrody na świecy zapłonowej.



## Środki ostrożności podczas tej czynności:

Jeżeli dźwignia przepustnicy jest całkowicie otwarta, gdy urządzenie pracuje na biegu jałowym, prędkość silnika wzrośnie do 10 000 min<sup>-1</sup> lub więcej. Nigdy nie pracować z wyższą prędkością silnika niż jest to konieczne i przy prędkości ok. 6 000-8 500 min<sup>-1</sup>.

### B: Rozruch na ciepło

- 1) Wcisnąć kilka razy pompkę zastrzykową.
- 2) Ustawić dźwignię przepustnicy w położeniu biegu jałowego.
- 3) Mocno pociągnąć za rozrusznik mechaniczny.
- 4) W razie trudności z rozruchem silnika otworzyć przepustnicę o około 1/3. Zwracać uwagę na przyrząd, który może się zacząć obracać.

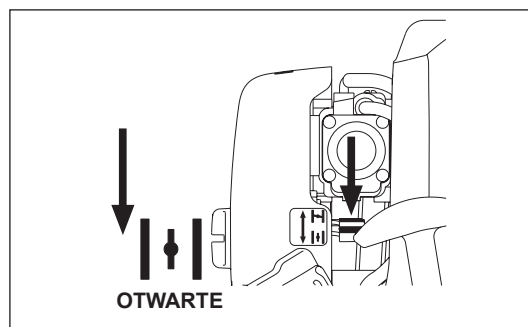
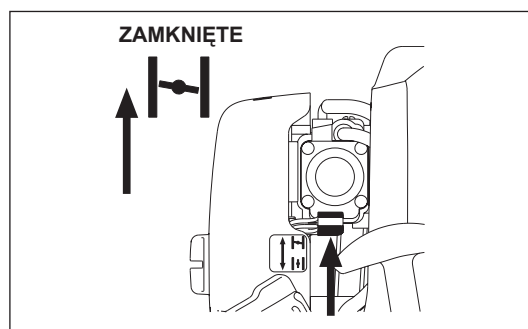
### Zdarza się, szczególnie zimą, że uruchomienie silnika może sprawiać trudności.

Podczas uruchamiania silnika należy w następujący sposób posługiwać się dźwignią ssania.

- Po wykonaniu czynności rozruchowych od 1) do 3) należy ustawić dźwignię ssania w położeniu ZAMKNIĘTE.
- Wykonać 4) czynność rozruchową i uruchomić silnik.
- Po uruchomieniu ustawić dźwignię ssania w położeniu OTWARTE.
- Wykonać 5) czynność rozruchową i rozgrzać silnik.

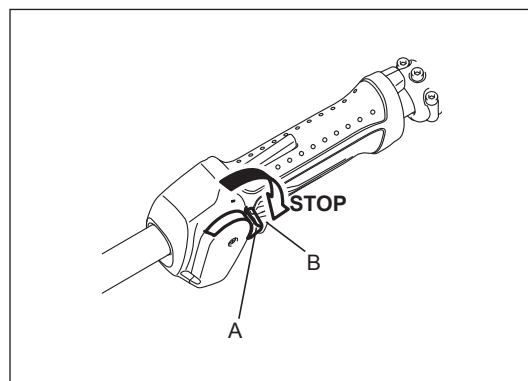
UWAGA: W razie usłyszenia wystrzału (eksplozji) i zatrzymania silnika, lub jeśli dopiero co uruchomiony silnik zatrzyma się, zanim zostanie użyta dźwignia ssania, należy ustawić ją ponownie w położeniu OTWARTE i pociągnąć kilkakrotnie za uchwyt rozrusznika, aby uruchomić silnik.

UWAGA: Jeśli dźwignia ssania pozostanie w położeniu ZAMKNIĘTE i tylko uchwyt rozrusznika zostanie kilkakrotnie pociągnięty, zostanie zassane zbyt dużo paliwa i trudno będzie uruchomić silnik.



### ZATRZYMYWANIE

- 1) Całkowicie zwolnić dźwignię przepustnicy (B), a po obniżeniu prędkości obrotowej silnika ustawić przełącznik I-O (A) w położenie STOP; silnik zatrzyma się.
- 2) Należy pamiętać, że przyrząd może się jeszcze przez chwilę obracać. Odczekać, aż się całkowicie zatrzyma.

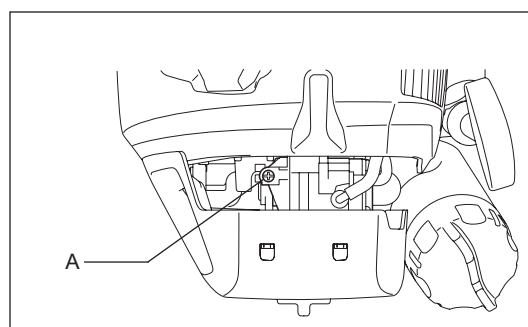


### REGULACJA OBROTÓW NA BIEGU NISKIM (BIEG JAŁOWY)

W razie potrzeby należy wyregulować obroty na biegu niskim (bieg jałowy) za pomocą śruby nastawczej gaźnika (A).

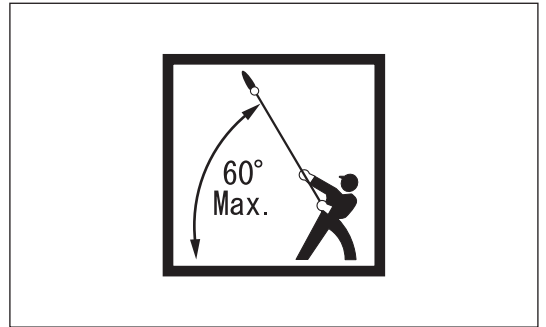
### KONTROLA OBROTÓW BIEGU NISKIEGO

- Ustawić obroty biegu jałowego na 3 000 min<sup>-1</sup>.  
W razie konieczności zmiany prędkości obrotowej, wyregulować śrubę nastawczą za pomocą wkrętaka krzyżowego.
- Obrócić śrubę nastawczą w prawo – prędkość obrotowa silnika wzrośnie. Obrócenie śruby nastawczej w lewo spowoduje zmniejszenie prędkości obrotowej silnika.
- Gaźnik jest wyregulowany przed dostawą. W razie konieczności jej ponownej regulacji należy skontaktować się z autoryzowanym centrum serwisowym.



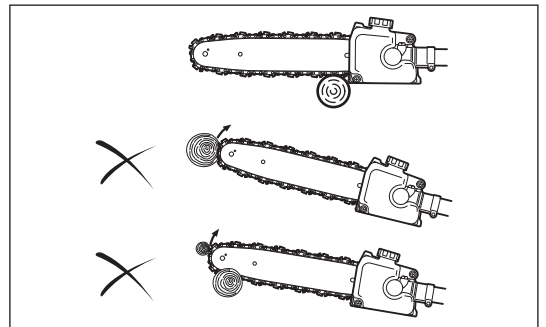
**Pozycja stojąca**

- Stać na stabilnej powierzchni. Ustawić pilarkę łańcuchową pod kątem 60° względem poziomej powierzchni.
- W pierwszej kolejności należy obcinać niższe gałęzie, które będą łatwiej spadać na ziemię.
- Zawsze należy zapewnić drogę ucieczki w przypadku spadania obciętej gałęzi w kierunku operatora.



**Metoda**

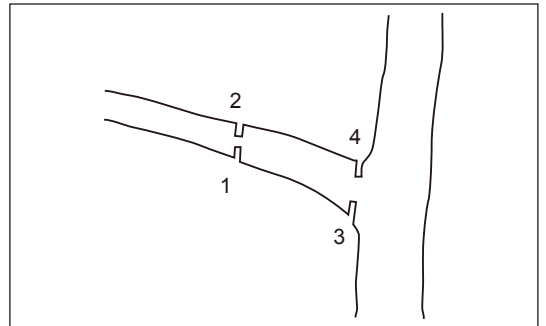
- Uruchomić silnik i pociągnąć przepustnicę do momentu aż łańcuch pilarki osiągnie maksymalną prędkość.
- Wywrzeć lekki nacisk łańcuchem pilarki na gałąź. Nie przeciążać urządzenia, w przeciwnym razie może dojść do uszkodzenia urządzenia.
- Nie używać końcówki prowadnicy do cięcia. W przeciwnym razie istnieje ryzyko odrzutu, co może spowodować obrażenia ciała.



**Wskazówki dotyczące cięcia grubych gałęzi**

W przypadku cięcia grubej gałęzi należy zastosować następującą metodę.

1. Wykonać małe nacięcie od dołu gałęzi w odpowiedniej odległości umożliwiającej cięcie.
2. Obciąć gałąź od góry w miejscu wykonanego nacięcia.
3. Wykonać drugie małe nacięcie od dołu gałęzi w odpowiedniej odległości umożliwiającej cięcie.
4. Obciąć gałąź od góry w miejscu wykonanego nacięcia.



**ZALECENIA DOTYCZĄCE SERWISOWANIA**

**UWAGA:** Przed przystąpieniem do jakichkolwiek prac na urządzeniu zawsze należy wyłączyć silnik i zdjąć nasadkę świecy zapłonowej (patrz rozdział „Kontrola świecy zapłonowej”).

Zawsze nosić rękawice ochronne!

Podczas kontroli lub konserwacji urządzenia należy zawsze położyć. Przeprowadzanie montażu lub regulacji urządzenia w pozycji pionowej może prowadzić do powstania poważnych obrażeń.

Podczas serwisowania należy zawsze zdjąć osłonę prowadnicy.

Aby zapewnić długą żywotność urządzenia i zapobiec jego uszkodzeniu, należy regularnie wykonywać wymienione poniżej czynności.

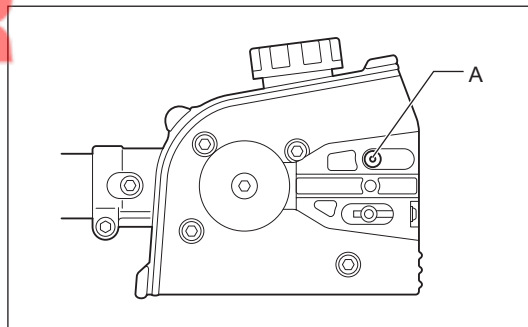
**Codzienna kontrola i konserwacja**

- Przed przystąpieniem do pracy sprawdzić urządzenie pod kątem poluzowanych śrub lub brakujących części. Zachować szczególną ostrożność podczas montażu danego przyrządu pod kątem prawidłowego zamocowania.
- Przed przystąpieniem do pracy sprawdzić przewod powietrza chłodzącego pod kątem zatkania oraz stan żeberek cylindra. W razie konieczności oczyścić je.
- Po zakończeniu pracy z urządzeniem wykonać każdorazowo następujące czynności:
  - Oczyszczyć z zewnątrz urządzenie i sprawdzić je pod kątem uszkodzeń.
  - Oczyszczyć filtr powietrza. Podczas pracy w warunkach dużego zapylenia należy czyścić filtr kilka razy dziennie.
  - Sprawdzić, czy jest zachowana wystarczająca różnica pomiędzy prędkością na biegu jałowym a prędkością włączenia, aby się upewnić, że na biegu jałowym przyrząd nie obraca się (w razie potrzeby zmniejszyć obroty jałowe). Jeżeli na biegu jałowym narzędzie nadal się obraca, skonsultować się z najbliższym autoryzowanym serwisem.
- Sprawdzić działanie przełącznika I-O, dźwigni blokującej i sterującej.



## Czyszczenie otworu zasilającego oleju łańcuchowego

Czyścić otwór zasilający oleju łańcuchowego (A) codziennie. W celu uzyskania do niego dostępu należy zdemontować uchwyt prowadnicy oraz prowadnicę.

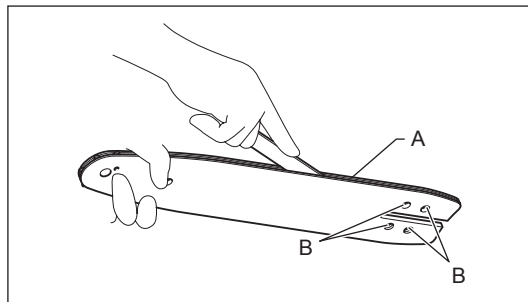


## Czyszczenie i kontrola prowadnicy

Czyścić prowadnicę codziennie. Usuwać opiłki z rowka (A) i otworu zasilającego oleju łańcuchowego (B).

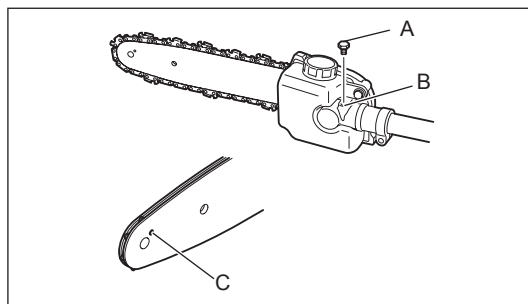
W celu uniknięcia zużycia prowadnicy po jednej stronie należy ją obracać przy każdej wymianie lub ostrzeniu łańcucha pilarki.

W przypadku zużycia, wygięcia, pęknięcia lub odkształcenia rowka wymienić prowadnicę.



## Kontrola łańcucha pilarki

W przypadku zużycia, odkształcenia lub pęknięcia łańcucha pilarki lub w przypadku wymagania większej wydajności cięcia, należy taki łańcuch wymienić lub zwrócić się do autoryzowanego centrum serwisowego Makita w celu jego naostrzenia.



## Smarowanie części ruchomych

**PRZESTROGA:** Postępować zgodnie z zaleceniami dotyczącymi częstotliwości oraz ilości dostarczanego smaru. W przeciwnym wypadku niewystarczające smarowanie może doprowadzić do uszkodzenia części ruchomych.

Przekładnia:

Zdjąć korek smarowniczy (A) i uzupełnić smar litowy przez otwór do smarowania (B) po każdym 25 roboczogodzinach.

Nos prowadnicy:

Nasmarować (Shell Alvania nr 2 lub odpowiednik) przez otwór do smarowania (C) po każdym 10 roboczogodzinach.

## WYMIANA OLEJU SILNIKOWEGO

Przerobiony olej silnikowy znacznie skraca żywotność ślizgowych i obrotowych elementów. Należy przestrzegać harmonogramu kontroli i wymiany oleju.



**UWAGA:** Zasadniczo silnik i olej silnikowy pozostają gorące jeszcze przez jakiś czas po wyłączeniu silnika. Przed przystąpieniem do wymiany oleju należy upewnić się, że silnik i olej silnikowy wystarczająco ostygły. W przeciwnym wypadku istnieje ryzyko poparzenia.

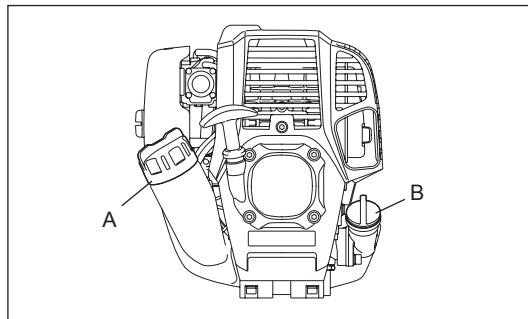
**Uwaga:** W przypadku wlania nadmiernej ilości oleju może dojść do jego zanieczyszczenia lub zapalenia, przy którym pojawi się biały dym.

**Częstotliwość wymiany:** Na początku po każdym 20 godzinach pracy, a następnie po każdym 50 godzinach pracy

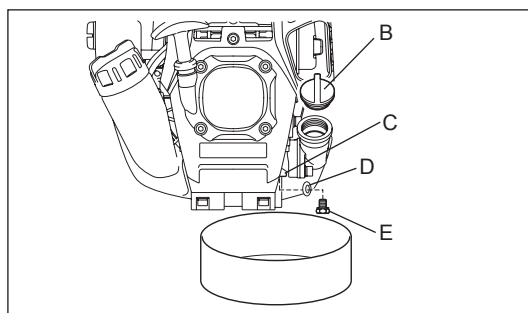
**Zalecany olej:** SAE 10W-30, klasyfikacja API, klasa SF lub wyższa (4-suwowy silnik samochodowy)

Podczas wymiany wykonać następującą procedurę.

- 1) Upewnić się, że korek wlewu paliwa (A) jest mocno dokręcony.
- 2) Podstawić duży pojemnik (np. miskę) pod otwór spustowy (C).

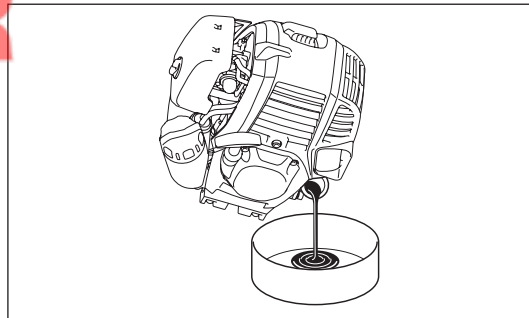


- 3) Usunąć śrubę spustową (E), a następnie korek wlewu oleju (B) w celu spuszczenia oleju przez otwór spustowy. Zachować uwagę, aby nie zgubić uszczelki śruby spustowej (D) ani nie zanieczyścić zdemontowanych części.
- 4) Po spuszczeniu całego oleju założyć uszczelkę na śrubę spustową i mocno dokręcić śrubę spustową, aby nie mogła się poluzować i spowodować wycieku.  
\* Za pomocą szmatki całkowicie wytrzeć olej ze śruby i urządzenia.

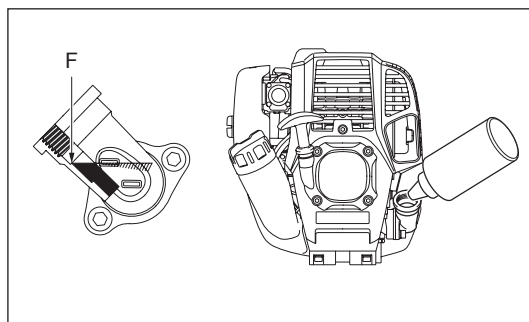
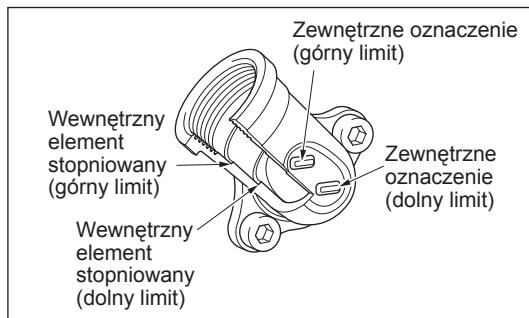


### Alternatywna metoda spuszczenia

Zdjąć korek wlewu oleju, przechylić urządzenie w stronę otworu wlewu oleju i wylać olej.  
Zebrać olej do pojemnika.



- 5) Ustawić silnik poziomo i stopniowo napełniać nowym olejem do oznaczenia górnego limitu (F).
- 6) Po napełnieniu mocno dokręcić korek wlewu oleju, tak aby się nie poluzował i aby nie dopuścić do wycieku. Jeśli korek wlewu oleju nie zostanie prawidłowo dokręcony, może przeciekać.



### WSKAZÓWKI DOTYCZĄCE OLEJU

- Nigdy nie wylewać zużytego oleju do ścieków, gleby lub pojemnika na odpady. Utylizacja oleju jest uregulowana odpowiednimi przepisami prawnymi. Olej należy zawsze utylizować zgodnie z takimi przepisami. W razie pytań lub wątpliwości skontaktować się z autoryzowanym serwisem.
- Jakość oleju ulega pogorszeniu, nawet jeżeli nie jest on używany. Regularnie przeprowadzać kontrolę i wymiany (wymieniać olej na nowy co 6 miesięcy).

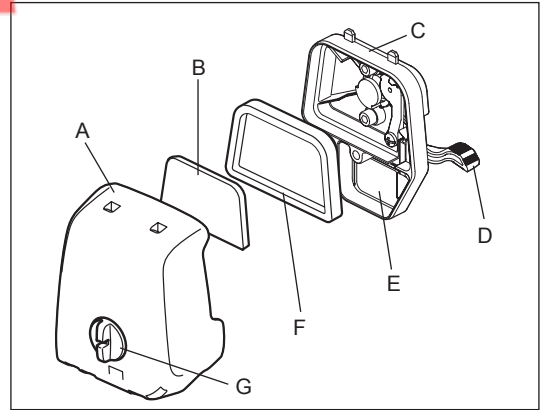
## CZYSZCZENIE FILTRA POWIETRZA



**NIEBEZPIECZEŃSTWO: SUBSTANCJE ŁATWOPALNE  
SUROWO ZABRONIONE**

**Częstotliwość czyszczenia i kontroli: Codziennie (po każdych 10 godzinach pracy)**

- Obrócić dźwignię ssania (**D**) w położenie całkowicie zamknięte i chronić gaźnik przed kurzem i zabrudzeniami.
- Poluzować śrubę montażową (**G**).
- Zdemontować pokrywę filtra powietrza (**A**), pociągając za jego dolną część.
- Wyjąć elementy (**B**) i (**F**) i postukać nimi w celu usunięcia zabrudzenia.
- W przypadku dużego zabrudzenia elementów:  
Wyjąć elementy, zanurzyć je w ciepłej wodzie lub roztworze neutralnego detergentu i całkowicie osuszyć. Nie wyciskać ani nie pocierać nimi podczas mycia.
- Przed zamocowaniem elementów upewnić się, że są całkowicie suche. Niedostateczne wysuszenie elementów może utrudniać rozruch.
- Wytrzeć za pomocą szmatki olej znajdujący się na pokrywie filtra powietrza oraz odpowietrzniku (**E**).
- Zamocować element (gąbkę) (**B**) w elemencie (filcu) (**F**). Zamocować elementy na płytce (**C**), tak aby gąbka była skierowana w stronę pokrywy filtra powietrza.
- Niezwłocznie zamontować pokrywę filtra, mocując ją za pomocą śrub montażowych. (Przy ponownym montażu najpierw umieścić górny zaczepek, a następnie dolny).



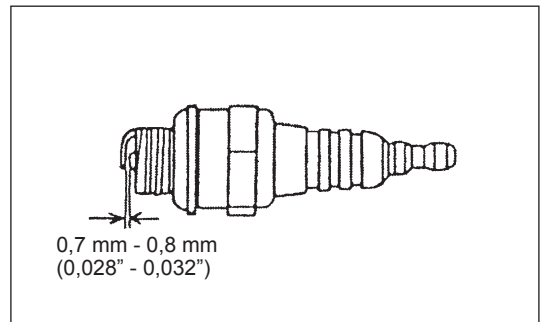
### PRZESTROGA:

- W razie nadmiernego zapylenia, elementy należy czyścić kilka razy dziennie. Zanieczyszczone elementy przyczyniają się do spadku mocy silnika i utrudniają rozruch.
- Usunąć olej z elementów. Kontynuacja pracy z elementami zabrudzonymi olejem może spowodować wydostanie się oleju z filtra powietrza na zewnątrz i zanieczyszczenie środowiska.
- Nie kłaść elementów na ziemi lub w innym zabrudzonym miejscu. W przeciwnym wypadku elementy mogą zostać zabrudzone i doprowadzić do uszkodzenia silnika.
- Nigdy nie czyścić elementów za pomocą paliwa. Paliwo może spowodować ich uszkodzenie.

### KONTROLA ŚWIECY ZAPŁONOWEJ

- Do montażu i demontażu świecy zapłonowej należy używać tylko dostarczonego klucza uniwersalnego.
- Odstęp pomiędzy dwiema elektrodami świecy zapłonowej powinien wynosić 0,7-0,8 mm (0,028" - 0,032"). Jeżeli odstęp jest zbyt duży lub zbyt mały, należy go wyregulować. Jeżeli świeca zapłonowa jest zatkana lub zanieczyszczona, należy ją dokładnie wyczyścić lub wymienić.

**UWAGA:** Nigdy nie dotykać nasadki świecy zapłonowej przy włączonym silniku (wysokie napięcie, ryzyko porażenia prądem).



## CZYSZCZENIE FILTRA PALIWA

### OSTRZEŻENIE: SUBSTANCJE ŁATWOPALNE SUROWO ZABRONIONE

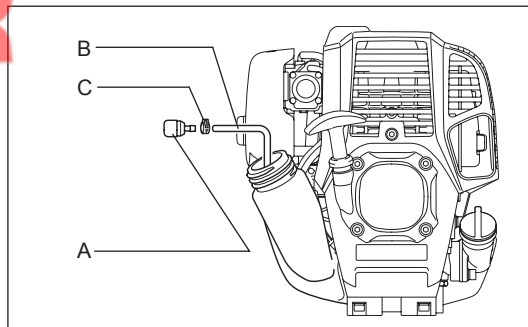
Częstotliwość czyszczenia i kontroli: co miesiąc (po każdym 50 godzinach pracy)

#### Głowica ssąca w zbiorniku paliwa

Sprawdzać okresowo filtr paliwa (A). W celu sprawdzenia filtra paliwa należy postępować zgodnie z poniższym opisem:

- (1) Zdjąć korek wlewu paliwa i opróżnić całkowicie zbiornik paliwa. Sprawdzić wnętrze zbiornika pod kątem obecności obcych ciał. W przypadku jego zanieczyszczenia, usunąć je.
- (2) Wyjąć głowicę ssącą za pomocą drucianego haka przez otwór zbiornika.
- (3) Jeżeli filtr paliwa jest nieznacznie zanieczyszczony, należy go wyczyścić. Aby go wyczyścić, należy nim delikatnie potrząsnąć i postukać w paliwie. W celu uniknięcia uszkodzenia nie wolno go wyciskać ani nim pocierać. Paliwo używane do czyszczenia musi zostać zutylizowane w sposób zgodny z obowiązującymi przepisami w danym kraju. W przypadku stwardnienia lub zatkania filtra paliwa, należy go wymienić.
- (4) Po sprawdzeniu, czyszczeniu lub wymianie należy wsunąć filtr paliwa w przewód paliwowy (B) i zamocować go za pomocą zacisku przewodu (C). Wsunąć filtr paliwa do oporu na dno zbiornika paliwa.

Zablokowany lub uszkodzony filtr paliwa może spowodować niewystarczający dopływ paliwa oraz spadek mocy silnika. Filtr paliwa należy wymieniać co najmniej raz na kwartał, aby zapewnić dostateczny dopływ paliwa do gaźnika.



#### WYMIANA PRZEWODU PALIWOWEGO

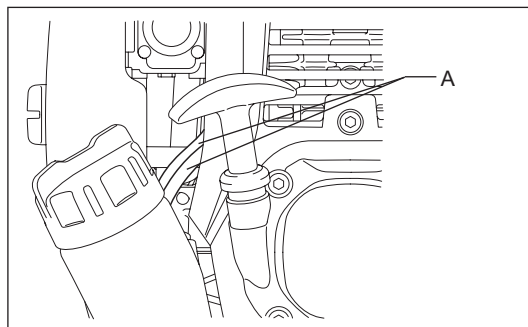
### UWAGA: SUBSTANCJE ŁATWOPALNE SUROWO ZABRONIONE

Częstotliwość czyszczenia i kontroli: codziennie (po każdym 10 godzinach pracy)

Wymiana: raz na rok (po każdym 200 godzinach pracy)

Przewód paliwowy (A) należy wymieniać raz na rok, niezależnie od częstotliwości użytkowania urządzenia. Wyciek paliwa może spowodować pożar.

W razie wykrycia wycieku podczas kontroli natychmiast wymienić przewód paliwowy.



#### KONTROLA WKRĘTÓW, NAKRĘTEK I ŚRUB

- Dokręcić poluzowane wkręty, nakrętki itp.
- Sprawdzić, czy nie dochodzi do wycieków paliwa i oleju.
- Ze względów bezpieczeństwa wymienić uszkodzone części na nowe.

#### CZYSZCZENIE CZĘŚCI

- Zawsze utrzymywać silnik w czystości.
- Żeberka cylindra powinny być zawsze wolne od kurzu i zabrudzeń. Kurz lub zabrudzenia na żeberkach mogą spowodować zatarcie tłoka.

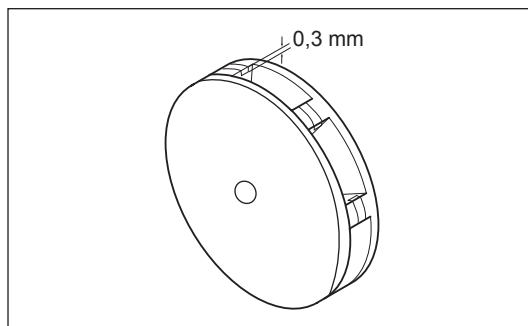
#### WYMIANA USZCZELEK I PODKŁADEK

Podczas ponownego montażu silnika należy pamiętać o wymianie uszczelki i podkładki.

Wszelkie prace konserwacyjne i regulacyjne niewymienione w niniejszej instrukcji obsługi mogą być wykonywane wyłącznie przez autoryzowany serwis.

#### KONTROLA KOŁA ŁAŃCUCHOWEGO

Sprawdzać koło łańcuchowe pod kątem zużycia co każde 50 roboczogodzin. Wymienić je, jeśli oznaki zużycia wynoszą 0,3 mm lub więcej.



### Łańcuch pilarki wymaga naostrzenia, gdy:

- podczas cięcia wilgotnego drewna powstają mączne trociny;
- łańcuch wchodzi w drewno z trudem, nawet gdy wywierany jest duży nacisk;
- krawędź rzazu jest w sposób wyraźny uszkodzona;
- pilarka w drewnie ciągnie w lewą bądź w prawą stronę. Powodem takiego zachowania jest nierównomierne naostrzenie łańcucha pilarki lub uszkodzenie powstałe tylko z jednej strony.

### Łańcuch pilarki należy często ostrzyć, zbierając za każdym razem tylko niewielką ilość materiału.

W przypadku rutynowego ostrzenia zwykle wystarczają dwa lub trzy pociągnięcia pilnikiem. Gdy łańcuch pilarki był ostrzony już kilka razy, należy zlecić jego naostrzenie w autoryzowanym centrum serwisowym MAKITA.

### Kryteria ostrzenia:

- Wszystkie długości zębów tnących (**A**) muszą być równe. Zęby tnące o różnych długościach powodują, że łańcuch nie porusza się płynnie i może ulec zerwaniu.
- Grubość wiórów zależy od odległości pomiędzy ogranicznikiem głębokości (okrągły czubek) a krawędzią tnącą (**B**).
- Najlepsze rezultaty uzyskuje się przy następującej odległości pomiędzy krawędzią tnącą a ogranicznikiem głębokości.  
Ostrze łańcucha 91VXL: 0,64 mm (0,025")

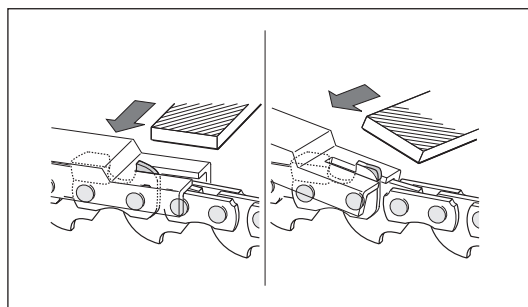
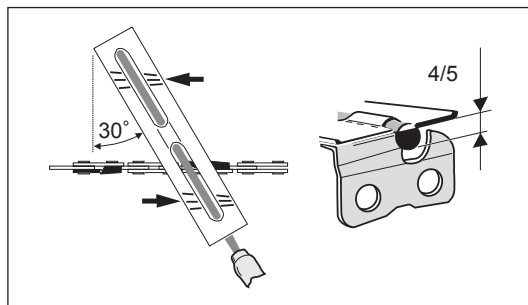
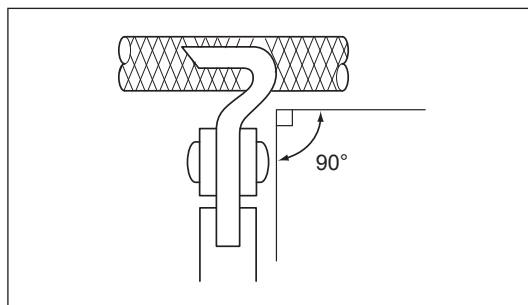
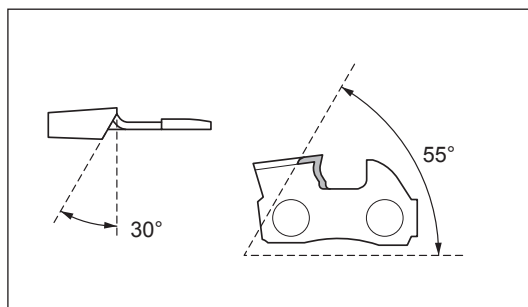
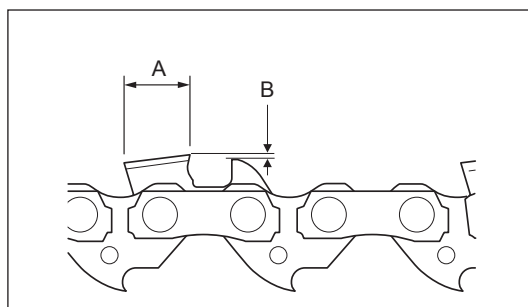


**OSTRZEŻENIE:** Zbyt duża odległość zwiększa ryzyko wystąpienia odrzutu.

- 30° kąt ostrzenia powinien być taki sam dla wszystkich zębów tnących. Różnice w kącie powodują, że łańcuch szarpie i nie pracuje płynnie. Przyspieszają one również zużycie i prowadzą do zrywania łańcucha.
- Kąt bocznej płytki zęba tnącego zależy od głębokości penetracji okrągłego pilnika. Jeżeli wspomniany pilnik jest używany właściwie, prawidłowy kąt płytki bocznej uzyskiwany jest automatycznie.
- Prawidłowy kąt dla każdego łańcucha pilarki jest następujący:  
Ostrze łańcucha 91VXL: 55°

### Pilnik i prowadzenie pilnika

- Do ostrzenia łańcucha należy stosować specjalne pilniki okrągłe przeznaczone do łańcuchów pilarek (wyposażenie opcjonalne). Zwykłe pilniki okrągłe nie nadają się do tego celu.
- Średnice pilników okrągłych dla każdego łańcucha pilarki są następujące:  
Ostrze łańcucha 91VXL: 4,0 mm (5/32")
- Pilnik powinien ostrzyć ząb tnący tylko przy ruchu w przód. Przy ruchu powrotnym pilnik należy unosić ponad zębem tnącym.
- Ostrzenie należy zacząć od najkrótszego zęba tnącego. Długość tego zęba tnącego będzie punktem odniesienia dla wszystkich pozostałych zębów tnących łańcucha pilarki.
- Prowadzić pilnik, jak pokazano na rysunku.
- Pilnik można łatwiej prowadzić za pomocą prowadnika pilnika (wyposażenie opcjonalne). Prowadnik pilnika posiada znaczniki do prawidłowego kąta ostrzenia 30° (znaczniki powinny być równoległe do łańcucha pilarki); prowadnik ogranicza również głębokość penetracji (do 4/5 średnicy pilnika).
- Po naostrzeniu łańcucha należy sprawdzić wysokość ogranicznika głębokości za pomocą specjalnego głębokościomierza do łańcuchów (wyposażenie opcjonalne).
- Zadziory, również te najmniejsze, należy usunąć specjalnym pilnikiem płaskim (wyposażenie opcjonalne).
- Ponownie należy zaokrąglić przednią część ogranicznika głębokości.

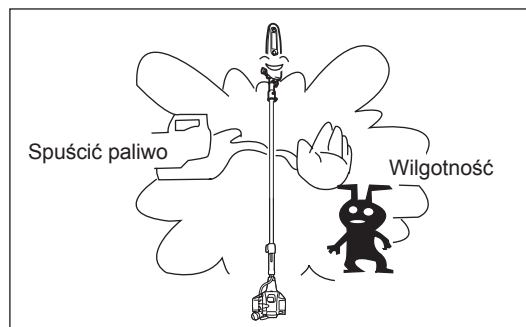




**OSTRZEŻENIE: Przed spuszczeniem paliwa należy upewnić się, że silnik ostygł. Po wyłączeniu silnik pozostaje gorący przez jakiś czas. Odczekać aż ostygnie, w przeciwnym razie może spowodować oparzenia lub pożar.**

W przypadku gdy urządzenie nie było używane przez dłuższy czas, należy przeprowadzić następujące czynności:

- Spuścić paliwo ze zbiornika i gaźnika zgodnie z poniższą procedurą:
  - 1) Zdjąć korek wlewu paliwa i całkowicie spuścić paliwo. Jeżeli w zbiorniku znajdują się ciała obce, należy je usunąć.
  - 2) Wyjąć filtr paliwa z otworu wlewu paliwa za pomocą drutu.
  - 3) Naciskać pompkę zastrzykową dopóki paliwo nie zostanie spuszczone i spuścić paliwo napływające do zbiornika paliwa.
  - 4) Założyć ponownie filtr na zbiornik paliwa i dokręcić mocno korek wlewu paliwa.
  - 5) Następnie uruchomić silnik i poczekać, aż sam się zatrzyma.
- Spuścić olej łańcuchowy.
- Zdjąć łańcuch pilarki i prowadnicę.
- Wyczyścić rowek prowadzący prowadnicę.
- Nasmarować lekko łańcuch pilarki i prowadnicę.
- Wyjąć świecę zapłonową i umieścić kilka kropel oleju silnikowego w jej otworze.
- Delikatnie pociągnąć za uchwyt rozrusznika, aby olej silnikowy został rozprowadzony po silniku, po czym zamocować świecę zapłonową.
- Generalnie urządzenie należy przechowywać w pozycji poziomej. Jeżeli nie jest to możliwe, należy ustawić urządzenie w taki sposób, aby silnik znajdował się poniżej narzędzia tnącego. W przeciwnym wypadku może dojść do wycieku oleju z wnętrza urządzenia.
- Należy zawsze przechowywać urządzenie w bezpiecznym miejscu w celu niedopuszczenia do jego uszkodzenia lub spowodowania obrażeń ciała.
- Przechowywać spuszczone paliwo w specjalnym kanistrze, w dobrze wentylowanym i ocienionym miejscu.



**Po długim okresie przechowywania**

- Przed uruchomieniem urządzenia po długim przestoju należy wymienić olej silnikowy (patrz „WYMIANA OLEJU SILNIKOWEGO”). Podczas przestoju jakość oleju ulega pogorszeniu.

**Wyszukiwanie usterek**

Usterka	Układ	Objaw	Przyczyna
Silnik nie uruchamia się lub uruchamia się z trudnością	Układ zapłonowy	Prawidłowa iskra zapłonowa Brak iskry zapłonowej	Nieprawidłowe działanie układu paliwowego, układu sprężania, usterka mechaniczna Uruchomiony wyłącznik STOP, uszkodzenie lub zwarcie przewodów, usterka świecy zapłonowej lub nasadki, niesprawny moduł zapłonowy
	Doprowadzanie paliwa	Zbiornik paliwa napełniony	Nieprawidłowa pozycja dławika, uszkodzony gaźnik, zgięty lub zatłoczony przewód paliwowy, zanieczyszczone paliwo
	Sprężanie	Brak sprężania podczas ciągnięcia	Wadliwa dolna uszczelka cylindra, uszkodzone uszczelki wałka korbowego, wadliwe pierścienie cylindra lub tłoka, nieprawidłowe uszczelnienie świecy zapłonowej
	Usterka mechaniczna	Rozrusznik nie włącza się	Pęknięta sprężyna rozrusznika, uszkodzone części wewnątrz silnika
Trudności podczas rozruchu rozgrzanego silnika		Zbiornik napełniony, iskra zapłonowa występuje	Zanieczyszczony gaźnik, wyczyścić
Silnik uruchamia się, ale natychmiast gaśnie	Doprowadzanie paliwa	Zbiornik napełniony	Nieprawidłowa regulacja biegu jałowego, zanieczyszczony gaźnik Wadliwe odpowietrzanie zbiornika paliwa, przerwany przewód doprowadzający paliwo, wadliwy przewód, wadliwy wyłącznik STOP
Niewystarczająca moc	Może być to spowodowane przez równoczesną awarię kilku układów	Nieprawidłowa praca silnika na biegu jałowym	Zabrudzony filtr powietrza, zanieczyszczony gaźnik, niedrożny tłumik, niedrożny kanał wylotowy cylindra

Element	Czas pracy	DP						
		Przed użyciem	Po smarowaniu	Codziennie (10 h)	25 h	50 h	200 h	Wyłączenie / przerwa w pracy
Całe urządzenie	Sprawdzić wzrokowo	<input type="radio"/>						
Olej silnikowy	Sprawdzić	<input type="radio"/>						
	Wymienić					<input type="radio"/> *1		
Części wymagające dokręcenia (wkręt, nakrętka)	Sprawdzić	<input type="radio"/>						
Zbiornik paliwa	Sprawdzić	<input type="radio"/>						
	Spuścić paliwo							<input type="radio"/> *3
Kontrola przepustnicy	Sprawdzić działanie	<input type="radio"/>	<input type="radio"/>					
Wyłącznik Stop	Sprawdzić działanie	<input type="radio"/>	<input type="radio"/>					
Obroty jałowe	Sprawdzić/ wyregulować			<input type="radio"/>				
Filtr powietrza	Oczyścić			<input type="radio"/>				
Świeca zapłonowa	Sprawdzić			<input type="radio"/>				
Przewód powietrza chłodzącego	Oczyścić/sprawdzić			<input type="radio"/>				
Przewód paliwowy	Sprawdzić			<input type="radio"/>				
	Wymienić						<input type="radio"/> *2	
Filtr paliwa	Oczyścić/wymienić					<input type="radio"/>		
Luz zaworowy (zawór wlotowy i zawór wylotowy)	Sprawdzić/ wyregulować						<input type="radio"/> *2	
Przegląd silnika							<input type="radio"/> *2	
Gaźnik	Spuścić paliwo							<input type="radio"/> *3
Otwór zasilający oleju łańcuchowego	Oczyścić			<input type="radio"/>				
Prowadnica	Oczyścić rowek oraz otwór zasilający oleju łańcuchowego			<input type="radio"/>				
	Sprawdzić			<input type="radio"/>				
	Nasmarować			<input type="radio"/>				
Przekładnia	Nasmarować				<input type="radio"/>			
Koło łańcuchowe	Sprawdzić					<input type="radio"/>		
Łańcuch pilarki	Wymienić lub przekazać do naostrzenia							<input type="radio"/> *4

\*1 Pierwsza wymiana powinna nastąpić po 20 godzinach pracy.

\*2 Po 200 roboczogodzinach zlecić kontrolę autoryzowanemu centrum serwisowemu.

\*3 Po opróżnieniu zbiornika paliwa uruchomić silnik i spuścić paliwo z gaźnika.

\*4 W razie konieczności.



## WYKRYWANIE I USUWANIE USTEREK



Przed zleceniem naprawy w serwisie należy samodzielnie sprawdzić urządzenie. W razie wykrycia usterki sprawdzić urządzenie zgodnie z opisem w niniejszej instrukcji obsługi. Nigdy nie manipulować ani nie demontować żadnej części w sposób niezgodny z opisem. W celu naprawy skontaktować się z autoryzowanym serwisem lub punktem sprzedaży.

Nieprawidłowy stan	Prawdopodobna przyczyna (usterki)	Rozwiązanie
Silnik nie uruchamia się	Nie można uruchomić pompy zastrzykowej.	Nacisnąć 7-10 razy.
	Zbyt wolne pociąganie linki rozrusznika.	Pociągać mocniej.
	Brak paliwa.	Włąć paliwo.
	Zatkany filtr paliwa.	Oczyszczyć filtr.
	Odłączony przewód paliwowy.	Podłączyć prawidłowo przewód paliwowy.
	Zgięty przewód paliwowy.	Wyprostować przewód paliwowy.
	Gorsza jakość paliwa.	Gorsza jakość paliwa utrudnia rozruch. Wymienić paliwo na nowe. (Zalecana wymiana: co miesiąc).
	Nadmierne zasysanie paliwa.	Ustawić dźwignię przepustnicy ze średniej prędkości na wysoką i pociągać uchwyt rozrusznika, dopóki silnik nie uruchomi się. Po uruchomieniu silnika łańcuch pilarki zacznie się obracać. Uważać na łańcuch pilarki. Jeżeli silnik nie uruchomi się, wyjąć świecę zapłonową, osuszyć elektrodę i ponownie zamontować je na swoich miejscach. Następnie uruchomić silnik zgodnie z zaleceniami.
	Odkręcony korek wlewu.	Prawidłowo zamocować.
	Zanieczyszczona świeca zapłonowa.	Oczyszczyć świecę.
	Nieprawidłowy luz świecy zapłonowej.	Wyregulować luz.
	Inna usterka świecy zapłonowej.	Wymienić świecę.
	Usterka gaźnika.	Zlecić serwisowi kontrolę i konserwację.
	Nie można pociągnąć linki rozrusznika.	Zlecić serwisowi kontrolę i konserwację.
Usterka układu napędowego.	Zlecić serwisowi kontrolę i konserwację.	
Silnik gaśnie Prędkość silnika nie wzrasta	Niewystarczające rozgrzanie silnika.	Rozgrzać silnik.
	Dźwignia ssania jest ustawiona w położeniu „ZAMKNIĘTE”, mimo że silnik jest nagrany.	Przestawić w położenie „OTWARTE”.
	Zatkany filtr paliwa.	Oczyszczyć filtr.
	Zanieczyszczony lub zatkany filtr powietrza.	Oczyszczyć filtr.
	Usterka gaźnika.	Zlecić serwisowi kontrolę i konserwację.
	Usterka układu napędowego.	Zlecić serwisowi kontrolę i konserwację.
Olej łańcuchowy nie jest doprowadzany.	Zbiornik oleju jest pusty.	Uzupełnić zbiornik olejem łańcuchowym.
	Otwór zasilający oleju łańcuchowego jest zanieczyszczony.	Oczyszczyć otwór zasilający oleju łańcuchowego na urządzeniu oraz prowadnicę.
	Nie prawidłowe ustawienie śruby nastawczej zasilania olejem łańcuchowym.	Ustawić prawidłowo śrubę nastawczą.
Łańcuch pilarki nie obraca się ↓ Natychmiast zatrzymać silnik	Prowadnica jest wygięta lub uszkodzona.	Wymienić prowadnicę.
	Obcy przedmiot zablokowany w łańcuchu pilarki.	Usunąć obcy przedmiot przy wyłączonym silniku.
	Usterka układu napędowego.	Zlecić serwisowi kontrolę i konserwację.
Nietypowe drgania urządzenia ↓ Natychmiast zatrzymać silnik	Złamana, zgięta lub zużyta prowadnica.	Wymienić prowadnicę.
	Poluzowany łańcuch pilarki.	Wyregulować napięcia łańcucha pilarki.
	Usterka układu napędowego.	Zlecić serwisowi kontrolę i konserwację.
Łańcuch pilarki nie zatrzymuje się ↓ Natychmiast zatrzymać silnik	Wysokie obroty na biegu jałowym.	Wyregulować prędkość biegu jałowego.
	Problem z ciągnem sterowania przepustnicy.	Zwrócić się do serwisu z prośbą o wymianę.
	Usterka układu napędowego.	Zlecić serwisowi kontrolę i konserwację.
Silnik nie zatrzymuje się ↓ Uruchomić silnik na biegu jałowym i ustawić dźwignię ssania w położeniu ZAMKNIĘTE	Odłączone złącze przełącznika I-O.	Prawidłowo zamocować.
	Usterka układu elektrycznego.	Zlecić serwisowi kontrolę i konserwację.

Jeżeli silnik nie rusza po rozgrzaniu:

Jeżeli nie stwierdzono żadnej innej usterki, otworzyć przepustnicę o 1/3 i uruchomić silnik.

Vă mulțumim foarte mult pentru achiziționarea ferăstrăului telescopic pe benzină MAKITA. Suntem încântați să vă recomandăm ferăstrăul telescopic pe benzină MAKITA care este rezultatul unui program îndelungat de dezvoltare și al multor ani de cunoștințe și experiență.

Vă rugăm să citiți această broșură care se referă în detaliu la diferitele aspecte care vor demonstra performanța extraordinară a echipamentului. Acesta vă va ajuta să obțineți cele mai bune rezultate de la ferăstrăul dumneavoastră telescopic pe benzină MAKITA.



## Cuprins

## Pagina

Simboluri.....	77
Instrucțiuni de siguranță .....	78
Date tehnice .....	84
Denumirea pieselor .....	85
Asamblare și reglare.....	86
Înainte de începerea operării.....	89
Aspecte privind operarea și modul de oprire .....	91
Operare .....	93
Instrucțiuni de service.....	93
Depozitare .....	99

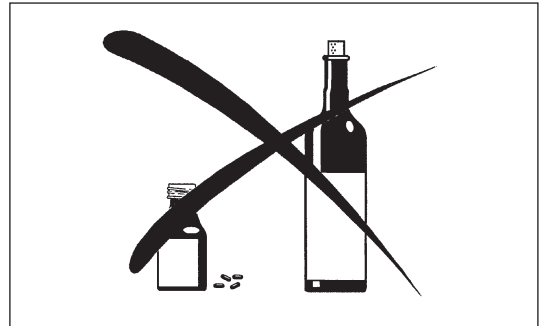
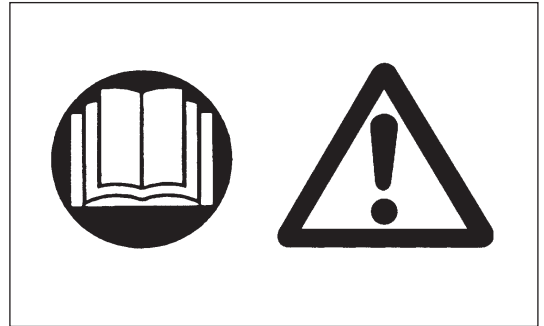
## SIMBOLURI

Veți observa următoarele simboluri atunci când citiți manualul de instrucțiuni.

	Citiți manualul de instrucțiuni și respectați avertismentele și măsurile de precauție!		Focul interzis!
	Acordați grijă și atenție specială!		Ulei de lanț.
	Purtați cască de protecție și sisteme de protecție pentru ochi și urechi.		Interziceți accesul tuturor persoanelor și animalelor de companie în zona de operare!
	Trebuie purtate mănuși de protecție!		Carburant (Benzină)
	Purtați cizme robuste cu talpă antiderapantă.		Pornire manuală motor
	Păstrați o distanță de cel puțin 15 m (50 ft) între echipament și persoanele din jur și/sau cablul electric (inclusiv ramuri care ar putea intra în contact cu acesta). Pericol de șoc electric și/sau rănire.		Primul ajutor
	Nu țineți niciodată ferăstrăul la un unghi mai mare de 60°.		PORNIT/START
	Turație lanț.		OPRIT/STOP
	Interzis!		Oprire de urgență
	Nu fumați!		

## Instrucțiuni generale

- Pentru a asigura operarea corectă, utilizatorul trebuie să citească acest manual de instrucțiuni pentru a se familiariza cu manipularea echipamentului. Utilizatorii insuficient informați se pun în pericol atât pe ei, cât și pe alții, din cauza manipulării greșite a echipamentului.
- Se recomandă împrumutul echipamentului doar persoanelor care au dovedit experiență în folosirea acestuia. Înmânați întotdeauna și manualul de instrucțiuni.
- Persoanele care utilizează dispozitivul pentru prima dată trebuie să solicite distribuitorului instrucțiunile de bază pentru a se familiariza cu manipularea unui dispozitiv de tăiere acționat cu motor.
- Nu trebuie permisă operarea echipamentului de către copii și tineri sub 18 ani. Persoanele peste 16 ani pot totuși să utilizeze dispozitivul pentru a fi instruiți doar sub supravegherea unui instructor calificat.
- Folosiți echipamentul cu cea mai mare grijă și atenție.
- Operați echipamentul numai dacă vă aflați într-o stare fizică bună. Executați fiecare lucrare cu calm și cu atenție. Utilizatorul trebuie să își asume responsabilitatea pentru cei din jur.
- Este interzis să utilizați echipamentul după consumul de alcool sau medicamente, sau dacă sunteți obosit sau bolnav.
- Nu încercați niciodată să modificați echipamentul.
- Reglementările naționale pot restricționa utilizarea echipamentului. Respectați reglementările privind manevrarea ferăstraielei și ferăstraielei cu lanț din țara dumneavoastră.

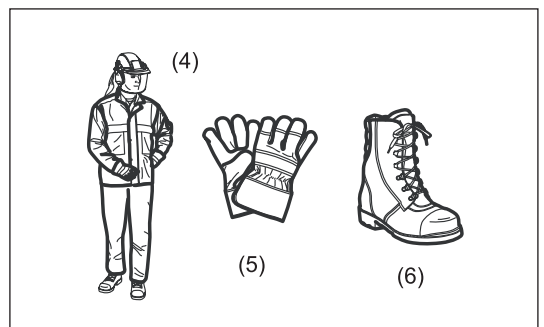
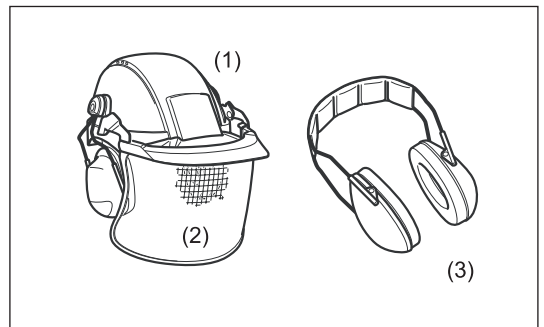


## Domeniul de utilizare a mașinii

Acest echipament este proiectat doar pentru tăierea crengilor cu un diametru mai mic de 15 cm. Nu utilizați niciodată echipamentul în alte scopuri. Utilizarea necorespunzătoare a echipamentului poate cauza răni grave.

## Echipament personal de protecție

- Îmbrăcămintea purtată trebuie să fie funcțională și adecvată, adică trebuie să fie bine ajustată dar să nu cauzeze disconfort. Nu purtați bijuterii sau haine care se pot agăța în tufișuri sau lăstăriș.
- Pentru a evita leziunile la cap, ochi, mâini sau picioare precum și pentru a vă proteja auzul, în timpul operării vor fi purtate următorul echipament de protecție și următoarea îmbrăcămintă de protecție.
- Purtați întotdeauna o cască acolo unde există riscul căderii de obiecte. Casca de protecție (1) trebuie verificată la intervale regulate pentru depistarea deteriorărilor și trebuie înlocuită după cel mult 5 ani. Utilizați numai căști de protecție omologate.
- Vizorul (2) al căștii (sau alternativ ochelarii de protecție) protejează fața de resturi și pietre proiectate. În timpul operării, purtați întotdeauna ochelari, sau un vizor pentru a preveni rănirea ochilor.
- Purtați echipament adecvat de protecție la zgomot, pentru a evita pierderea auzului (amortizoare pentru urechi (3), dopuri de urechi etc.).
- Salopeta de lucru (4) protejează împotriva pietrelor și a resturilor proiectate. Recomandăm insistent ca utilizatorul să poarte salopetă de lucru.
- Mănușile speciale (5), confecționate din piele groasă, sunt o parte a echipamentului recomandat și trebuie întotdeauna purtate în timpul operării.
- Atunci când folosiți echipamentul, purtați întotdeauna încălțăminte robustă (6) cu talpă antiderapantă. Aceasta protejează împotriva vătămarilor corporale și asigură un sprijin stabil.
- Când manevrați lanțul ferăstrăului sau ajustați tensiunea acestuia, purtați mănuși de protecție. Lanțul ferăstrăului poate cauza tăieturi grave în cazul în care nu purtați mănuși de protecție.



## Siguranța zonei de lucru

- **⚠ Pericol:** Țineți ferăstrăul la o distanță de cel puțin 15 m față de cablurile electrice și de comunicație (inclusiv ramurile care intră în contact cu acestea). Atingerea sau apropierea de cablurile de înaltă tensiune cu ferăstrăul poate cauza moartea sau accidente grave. Examinați cablurile de alimentare și gardurile electrice din jurul zonei de lucru înainte de a începe operarea.
- Operați ferăstrăul doar în condiții de vizibilitate bune și pe timp de zi. Nu operați ferăstrăul pe întuneric sau în condiții de ceață.
- Porniți și operați motorul doar în exterior, într-o zonă bine aerisită. Operarea într-o zonă închisă sau slab aerisită poate cauza moartea prin sufocare sau intoxicare cu monoxid de carbon.
- În timpul operării, nu stați pe o suprafață instabilă sau alunecoasă sau pe o pantă abruptă. În timpul sezonului rece, feriți-vă de gheață și zăpadă și asigurați-vă întotdeauna o poziție stabilă.
- În timpul operării, țineți ferăstrăul la o distanță de cel puțin 15 m de persoanele din jur sau animale. Opriți motorul atunci când o persoană se apropie de dumneavoastră.
- Înainte de operare, verificați dacă în zona de lucru există garduri de sârmă, ziduri sau alte obiecte solide. Acestea pot avaria lanțul ferăstrăului.
- **⚠ AVERTISMENT:** Utilizarea acestui produs poate crea praf ce conține substanțe chimice care pot cauza boli respiratorii sau de altă natură. Câteva exemple de substanțe chimice sunt compușii ce se găsesc în pesticide, insecticide, îngrășăminte și erbicide. Riscurile la care sunteți expus în acest caz variază, în funcție de frecvența cu care executați acest tip de lucrare. Pentru a reduce expunerea la aceste chimicale: lucrați într-un spațiu bine ventilat și cu un echipament de protecție omologat, cum ar fi acele măști de protecție a respirației care sunt special concepute pentru a filtra particulele microscopice.

## Punerea în funcțiune

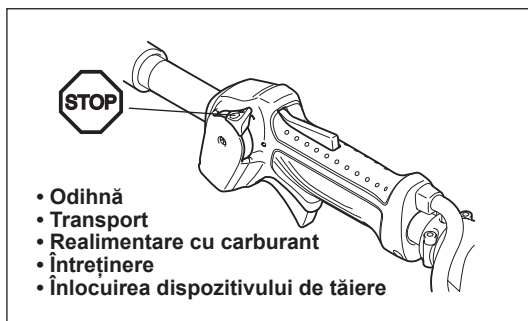
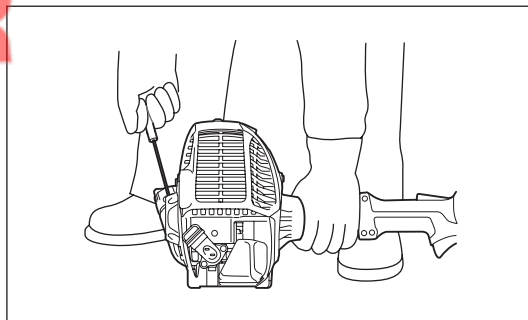
- Înainte de asamblarea sau reglarea echipamentului, opriți motorul și înlăturați capacul bujiei.
- Înainte de a porni motorul, verificați dacă echipamentul prezintă deteriorări, șuruburi/piulițe slăbite sau asamblare necorespunzătoare. Ascuțiți lanțurile de ferăstrău tocite. Dacă lanțul de ferăstrău este îndoit sau deteriorat, înlocuiți-l. Verificați dacă toate pârgurile de control și comutatoarele funcționează ușor. Curățați și uscați mânerul.
- Nu încercați să porniți motorul dacă echipamentul este deteriorat sau nu este asamblat în întregime. În caz contrar, există pericolul de accidentări grave.
- Reglați corespunzător tensiunea lanțului. Reîncărcați cu ulei pentru lanț, dacă este cazul.

## Pornirea motorului

- Vă rugăm să vă asigurați că nu există copii sau alte persoane în apropiere, de asemenea, acordați atenție oricăror animale din apropierea zonei de lucru.
- Îmbrăcați echipamentul personal de protecție înainte de a porni motorul.
- Verificați fixarea corectă a dispozitivului de atașare, manevrabilitatea manetei de control și funcționarea corectă a manetei de blocare.
- Dacă lanțul ferăstrăului se mișcă la ralanti, opriți motorul și reduceți turația de ralanti. Solicitați unui centru de service autorizat efectuarea unei ajustări, dacă aveți îndoieli. Verificați dacă mânerul este curat și uscat și testați funcționarea comutatorului de pornire/oprire.

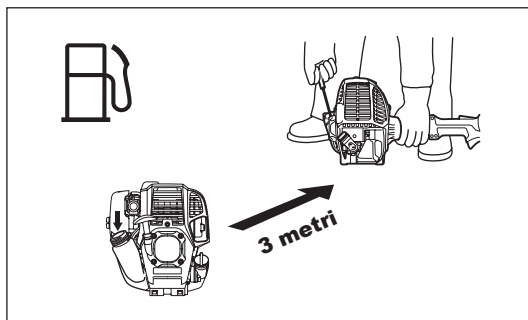
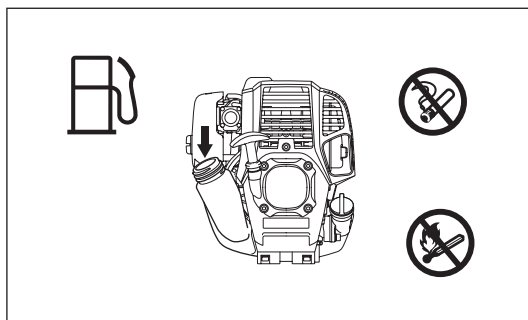
Porniți motorul doar în conformitate cu instrucțiunile.

- Nu utilizați alte metode pentru pornirea motorului!
- Așezați echipamentul pe o suprafață stabilă. Mențineți-vă echilibrul și o poziție sigură.
- Când trageți maneta de pornire țineți echipamentul ferm pe sol cu mâna stângă. Nu călcați niciodată pe axul motorului.
- Înainte de a porni motorul, asigurați-vă că nu se află nicio persoană sau niciun animal în zona de lucru.
- Când porniți motorul, țineți lanțul ferăstrăului și lama de ghidare la distanță de corpul dumneavoastră și de alte obiecte, inclusiv la distanță de sol. Lanțul ferăstrăului se poate deplasa în momentul pornirii, cauzând răni grave sau deteriorarea acestuia și/sau a proprietății.
- Motorul va trebui oprit imediat în cazul apariției oricăror probleme.
- În cazul în care lanțul ferăstrăului lovește pietre sau alte obiecte dure, opriți imediat motorul și inspectați echipamentul.
- Operați echipamentul doar cu centura de umăr atașată, aceasta trebuind reglată corespunzător înainte de punerea echipamentului în funcțiune. Este esențial să reglați curea de umăr conform staturii utilizatorului pentru a preveni apariția oboselii în timpul folosirii. Este interzis să țineți echipamentul cu o singură mână în timpul utilizării.
- Atașați centura de umăr doar când motorul operează la ralanti. În timpul operării, țineți ferm echipamentul în dreapta dumneavoastră.
- Toate instalațiile de protecție și apărătoarele furnizate împreună cu echipamentul trebuie utilizate în timpul operării.
- Este interzisă operarea motorului cu toba de eșapament defectă.
- Exceptând cazurile de urgență, evitați scăparea sau aruncarea echipamentului la sol, deoarece acest lucru ar putea duce la defectarea serioasă a acestuia.



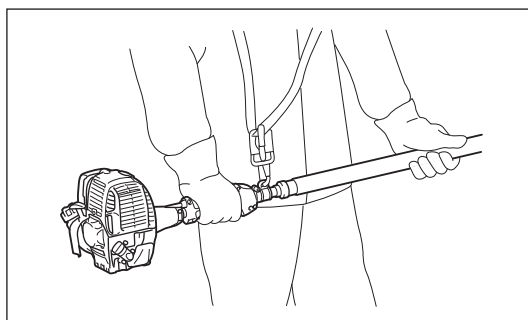
### Realimentare cu carburant

- Opriți motorul în timpul realimentării, nu vă apropiați de foc deschis și nu fumați.
- Evitați contactul pielii cu produse pe bază de ulei mineral. Nu inhalați vapori de carburant. Purtați întotdeauna mănuși de protecție când realimentați. Schimbați și curățați îmbrăcămintea de protecție la intervale regulate.
- Aveți grijă să nu vărsați carburant sau ulei pentru a preveni contaminarea solului (protecția mediului). Curățați echipamentul imediat după ce carburantul a fost vărsat.
- Evitați orice contact al carburantului cu îmbrăcămintea dvs. Schimbați-vă hainele imediat dacă s-a vărsat carburant pe ele (pentru a preveni aprinderea hainelor).
- Inspectați bușonul de alimentare cu carburant la intervale regulate, asigurându-vă că este bine fixat și nu prezintă scurgeri.
- Strângeți cu grijă capacul rezervorului de carburant. Schimbați locația pentru a porni motorul (cel puțin 3 metri distanță de locul realimentării cu carburant).
- Este interzis să realimentați cu carburant în încăperi închise. Vaporii de combustibil se acumulează la nivelul solului (risc de explozii).
- Transportați și depozitați carburantul doar în recipiente aprobate. Asigurați-vă că acest carburant depozitat nu este accesibil copiilor.



### Metodă de operare

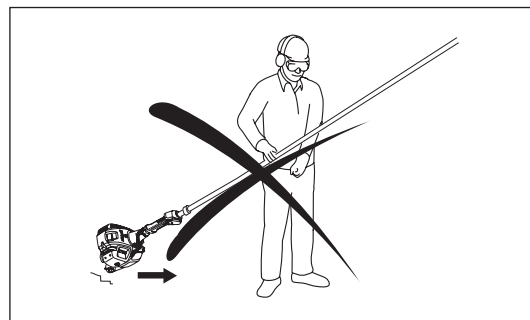
- În caz de urgență, opriți imediat motorul.
- Dacă întâmpinați condiții neobișnuite (de exemplu, zgomote, vibrații) în timpul operării, opriți motorul. Nu utilizați echipamentul până la identificarea și soluționarea cauzei.
- Lanțul ferăstrăului continuă să se miște pentru o scurtă perioadă după eliberarea accelerației. Nu vă grăbiți să puneți mâna pe lanțul ferăstrăului.
- Apucați mânerul frontal cu mâna stângă și cel posterior cu mâna dreaptă, indiferent dacă sunteți dreptaci sau stângaci. Așezați-vă degetele în jurul mânerelor.
- Nu încercați să operați echipamentul cu o mână. Pierderea controlului poate produce răni grave sau mortale. Pentru a reduce riscul de accidentare, țineți mâinile și picioarele departe de lame.
- Păstrați un echilibru corect. Mențineți-vă permanent echilibrul și sprijiniți-vă ferm pe picioare.
- Feriți-vă de obstacole ascunse precum cioturi de copaci, rădăcini și șanțuri pentru a nu vă împiedica. Înlăturați crengile căzute și alte obiecte din calea dumneavoastră.
- Dacă echipamentul suferă un impact puternic sau o cădere, verificați starea acestuia înainte de a continua lucrul. Verificați dacă sistemul de alimentare prezintă scurgeri și dacă dispozitivele de comandă și siguranță prezintă defectțiuni. Dacă există semne de deteriorări sau aveți dubii, contactați centrul de service autorizat Makita pentru inspecție și reparații.
- Nu atingeți cutia de viteze. Cutia de viteze se încinge în timpul operării.
- Când lăsați echipamentul nesupravegheat, chiar și pe o perioadă scurtă de timp, opriți întotdeauna motorul. Echipamentul nesupravegheat cu motorul pornit poate fi utilizat de persoane neautorizate și poate cauza accidente grave.



- Protejați mediul înconjurător. Evitați operarea inutilă a accelerației, pentru un nivel de poluare și emisii de zgomot reduse. Reglați carburatorul corespunzător.
- În timpul operării sau după, nu așezați echipamentul fierbinte pe iarbă uscată sau materiale combustibile.
- Nu țineți mâna dreaptă la o înălțime deasupra umărului.
- În timpul operării, nu loviți lanțul de ferăstrău de obstacole dure, precum pietre sau cuie. Acordați atenție sporită atunci când tăiați crengi aflate în apropierea zidurilor, gardurilor de sârmă sau altele asemănătoare.
- În cazul în care crengile sunt prinse în lanțul ferăstrăului, opriți întotdeauna motorul și scoateți capacul bujiei. În caz contrar, pornirea accidentală poate cauza accidentări grave.
- Dacă lanțul ferăstrăului se înfundă, opriți întotdeauna motorul și înlăturați capacul bujiei înainte de curățare.
- Accelerarea motorului cu lanțul ferăstrăului blocat mărește sarcina și avariază motorul și/sau ambreiajul.
- Înainte de a tăia crengi, păstrați o distanță de siguranță față de zona unde va cădea creanga. Mai întâi, îndepărtați obstacolele, precum crengile din zona de lucru. Mutați toate uneltele și bunurile din zona unde va cădea creanga într-un loc sigur.
- Înainte de a tăia crengi, verificați direcția de cădere a acestora, luând în considerare starea crengilor, copacii învecinați, direcția vântului etc. Acordați foarte mare atenție direcției de cădere și saltului crengii care cade la pământ.
- Nu țineți niciodată ferăstrăul la un unghi mai mare de 60°. În caz contrar, obiectele căzătoare pot lovi operatorul, cauzând răni grave. Nu stați niciodată sub creanga pe care doriți să o tăiați.
- Acordați atenție crengilor rupte sau îndoite. Este posibil ca acestea să ricoșeze în timpul tăierii, provocând accidente neprevăzute.
- Înainte de a tăia crengile pe care intenționați să le tăiați, îndepărtați ramurile și frunzele din jurul acestora. În caz contrar, ferăstrăul se poate prinde în acestea.
- Pentru a preveni blocarea ferăstrăului în tăietură, nu eliberați maneta de accelerație înainte de a scoate ferăstrăul din tăietură.
- Dacă lanțul ferăstrăului este prins în tăietură, opriți imediat motorul, mutați cu grijă creanga pentru a deschide tăietura și eliberați ferăstrăul.
- Evitați reculul (forță reactivă de rotație spre operator). Pentru a preveni reculul, nu utilizați niciodată vârful pentru lama de ghidare și nu efectuați o tăietură adâncă. Acordați întotdeauna atenție poziției vârfului lamei de ghidare.
- Verificați frecvent tensiunea lanțului. Când verificați sau reglați tensiunea lanțului, opriți motorul și înlăturați capacul bujiei. Dacă lanțul este slăbit, întindeți-l.
- Operați echipamentul cu zgomot și contaminare cât mai reduse posibil. În special verificați reglarea corectă a carburatorului.
- Nu stați pe o scară în timp ce operați echipamentul.
- Nu vă urcați în copaci pentru a efectua operația de tăiere.
- Așteptați ca lanțul să atingă turația de lucru maximă înainte de a începe tăierea.
- Odihniți-vă pentru a preveni pierderea controlului din cauza oboselii. Vă recomandăm să luați o pauză de 10-20 de minute la fiecare oră.

## Transport

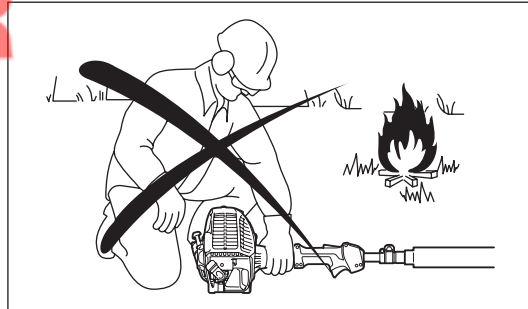
- Înainte de transportarea echipamentului, opriți motorul și înlăturați capacul bujiei.
- Montați întotdeauna apărătoarea lamei de ghidare în timpul transportului.
- Folosiți întotdeauna sistemul de protecție a dispozitivului inclus cu echipamentul.
- Purtați-l în poziție orizontală, ținând de ax. Țineți toba de eșapament încinsă departe de corp.
- Când transportați echipamentul într-un vehicul, fixați-l corespunzător pentru a evita răsturnarea. În caz contrar, pot apărea scurgeri de combustibil și deteriorarea echipamentului sau a altor bagaje.
- Opriți motorul în timpul transportului.
- Asigurați-vă că rezervorul de carburant este complet gol.
- Când descărcați echipamentul din camion, este interzisă scăparea motorului pe sol, deoarece aceasta poate deteriora grav rezervorul de carburant.
- Amintiți-vă să ridicați tot echipamentul de la sol atunci când mutați echipamentul. Tragerea pe jos a rezervorului de carburant este foarte periculoasă și va cauza deteriorarea și scurgerea de carburant, putând cauza incendii.





## Instrucțiuni de întreținere

- Service-ul echipamentului trebuie efectuat la centrul nostru de service autorizat, folosind întotdeauna piese de schimb originale. Reparațiile incorecte sau o întreținere inadecvată pot scurta durata de viață a echipamentului și mări riscul accidentărilor.
- Înainte de a efectua lucrări de întreținere sau reparații sau de a curăța echipamentul, opriți motorul și îndepărtați capacul bujiei. Așteptați până când se răcește motorul.
- Pentru a reduce riscul de incendiu, nu efectuați lucrări de service asupra echipamentului și nu îl depozitați în apropierea unor surse de foc.
- Purtați mănuși de protecție când manevrați lanțul ferăstrăului.
- Curățați întotdeauna praful și murdăria de pe echipament. Nu utilizați niciodată gazolină, benzină, diluant, alcool sau alte substanțe asemănătoare în acest scop. În caz contrar, pot rezulta decolorări, deformări sau fisuri ale componentelor din plastic.
- După fiecare utilizare, strângeți toate șuruburile și piulițele, cu excepția șuruburilor de reglare.
- Mențineți lanțul ferăstrăului ascuțit. Dacă lanțul ferăstrăului se tocește și performanțele de tăiere sunt slabe, contactați centrul de service autorizat Makita pentru ascuțirea sau înlocuirea acestuia cu unul nou.
- Nu încercați operațiuni de întreținere sau reparații care nu sunt descrise în manualul de instrucțiuni. Contactați centrul de service autorizat Makita pentru astfel de lucrări.
- Curățați echipamentul la intervale regulate și verificați dacă toate șuruburile și piulițele sunt strânse bine.
- Depozitați întotdeauna echipamentul în încăperi încăldate și cu rezervorul de carburant golit.



## Depozitare

- Înainte de depozitarea echipamentului, efectuați curățarea și întreținerea completă. Fixați apărătoarea lamei de ghidare. Îndepărtați capacul bujiei. Scurgeți combustibilul și uleiul pentru lanț după răcirea motorului.
- Depozitați echipamentul într-un loc bine aerisit, la înălțime sau încuiat astfel încât copiii să nu aibă acces.
- Nu sprijiniți echipamentul pe ceva, cum ar fi un perete. În caz contrar, acesta poate cădea cauzând accidentări.

Respectați instrucțiunile relevante de prevenire a accidentelor emise de asociațiile profesionale în cauză și de companiile de asigurări. Nu efectuați nicio modificare a echipamentului, deoarece vă puteți periclită siguranța.

Efectuarea lucrărilor de întreținere sau reparație de către utilizator este limitată la acele activități descrise în manualul de instrucțiuni. Toate celelalte lucrări vor fi efectuate de un centru de service autorizat. Utilizați doar piese de schimb originale și accesorii fabricate și furnizate de MAKITA.

Utilizarea de accesorii și unelte neautorizate reprezintă un risc crescut de accidente.

MAKITA nu va accepta nicio responsabilitate pentru accidente sau daune cauzate de utilizarea unor dispozitive de atașare și de fixarea dispozitivelor sau a unor accesorii neomologate.

## Primul ajutor

În caz de accident asigurați-vă că o trusă de prim ajutor este disponibilă în apropierea operațiilor de tăiere. Înlocuiți imediat orice element folosit din trusa de prim ajutor.

### Când solicitați ajutor, oferiți următoarele informații:

- Locul accidentului
- Ce s-a întâmplat
- Numărul de persoane rănite
- Tipul leziunilor
- Numele dumneavoastră



## Vibrații

- Persoanele cu probleme circulatorii expuse la vibrații excesive pot suferi leziuni ale vaselor sanguine sau ale sistemului nervos. Vibrațiile pot provoca următoarele simptome la nivelul degetelor, mâinilor sau articulațiilor mâinilor: "amorțeală" (insensibilitate), furnicături, durere, înțepături, modificarea culorii sau texturii pielii. Dacă apare oricare dintre aceste simptome, consultați un medic!
- Pentru a reduce riscul apariției "sindromului degetelor albe", păstrați-vă mâinile calde în timpul utilizării și întrețineți în mod corect echipamentul și accesorii.





---

## DECLARAȚIE DE CONFORMITATE CE

**Subscrisa, Makita Corporation, în calitate de producător responsabil, declară că următoarea (următoarele) unealtă (unelte) Makita:**

Denumirea uneltei: Ferăstrău telescopic pe benzină

Nr. model/Tip: EY2650H

Specificații: consultați tabelul "DATE TEHNICE"

este/sunt produs(e) de serie și

**sunt în conformitate cu următoarele Directive Europene:**

2006/42/CE

Și sunt fabricate în conformitate cu următoarele standarde sau documente standardizate:

EN/ISO11680

Documentația tehnică este păstrată de:

Makita International Europe Ltd., Technical Department,

Michigan Drive, Tongwell, Milton Keynes, Bucks MK15 8JD, Anglia

Numărul certificatului de examinare de tip CE ca fierăstrău este:

4813008.13001

Examinarea de tip CE conform 2006/42/CE a fost efectuată de:

DEKRA Testing and Certification GmbH Enderstraße 92b 01277 Dresden, Germania

Nr. de identificare 2140

31. 10. 2013

Tomoyasu Kato

Director

Makita Corporation

3-11-8, Sumiyoshi-cho,

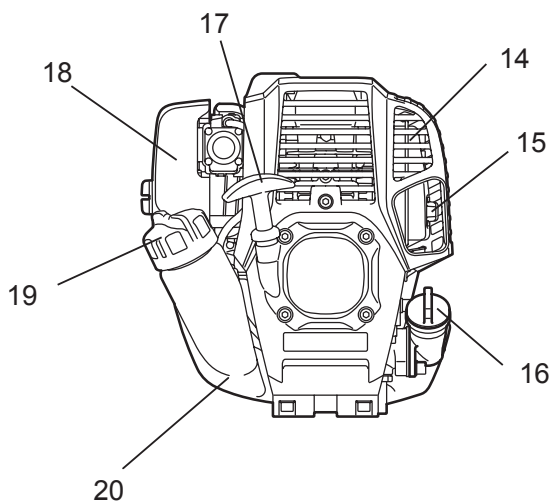
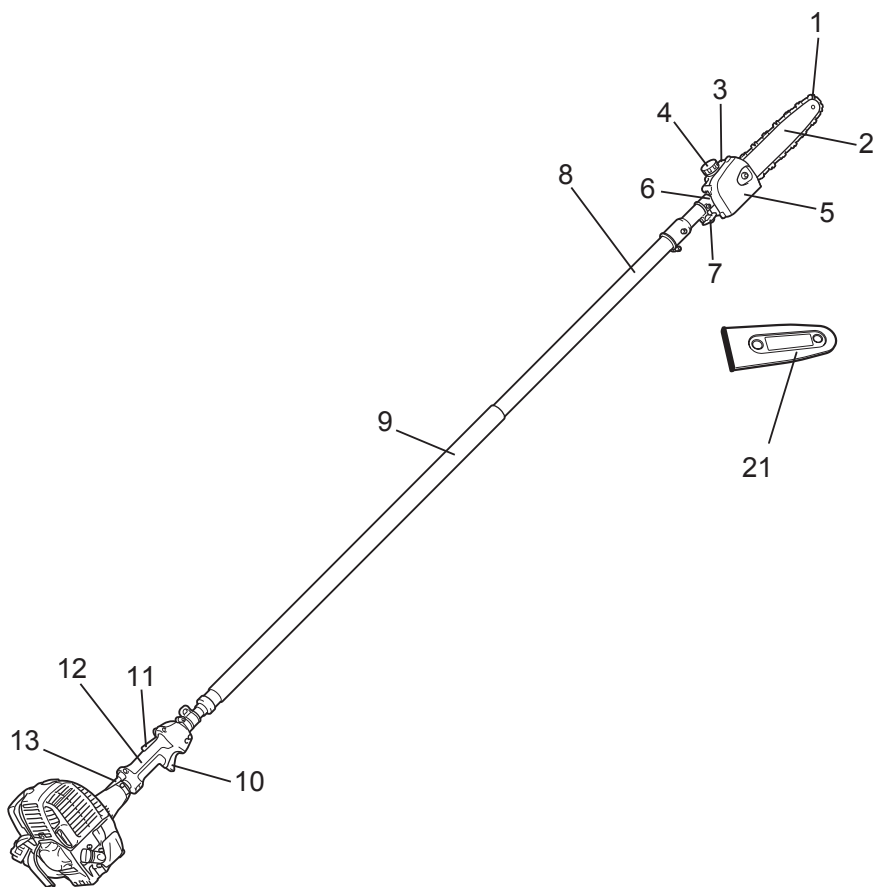
Anjo, Aichi, 446-8502, JAPAN

---

Model		EY2650H		
Dimensiuni: L x l x H	mm	2.720-3.920 x 223 x 240		
Greutate	kg	7,2		
Volum rezervor de carburant	cm <sup>3</sup>	600		
Volum rezervor ulei de lanț	cm <sup>3</sup>	120		
Capacitate cilindrică motor	cm <sup>3</sup>	25,4		
Turația maximă a lanțului	m/s	21,0		
Performanțe maxime motor		0,77 kW la 7.000 min <sup>-1</sup>		
Turația motorului la frecvența de rotație maximă recomandată a axului	min <sup>-1</sup>	10.000		
Turație la ralanti	min <sup>-1</sup>	3.000		
Turație de cuplare ambreiaj	min <sup>-1</sup>	4.400		
Carburator		Tip diafragmă		
Bujie	Tip	NGK CMR4A		
Distanța dintre electrozi	mm	0,7 - 0,8		
Carburant		Benzină pentru autovehicule		
Ulei de motor		Ulei SAE 10W-30 de grad API și clasă SF sau superioară (ulei de motor auto în 4 timpi)		
Lungime de tăiere	mm	255		
Lungimea lamei de ghidare	mm (țoli)	255 (10")		
Lanț de ferăstrău		91VXL-39E		
Pas lanț	țoli	3/8"		
Calibru pentru lanț	mm (țoli)	1,3 (0,05")		
Număr de dinți ai roții de lanț		7		
Ulei de lanț		Ulei de lanț Makita original		
Pompă de ulei pentru lanț		Pompă cu piston plonjor (De tipul cu lubrifiere automată)		
Vibrații conform ISO 22867	Mâner dreapta (mâner posterior)	$a_{hv\ eq}$ (Ax în cea mai scurtă poziție)	m/s <sup>2</sup>	5,3
		$a_{hv\ eq}$ (Ax în cea mai lungă poziție)	m/s <sup>2</sup>	6,1
		Eroare de măsurare K	m/s <sup>2</sup>	2,0
	Mâner stânga (mâner frontal)	$a_{hv\ eq}$ (Ax în cea mai scurtă poziție)	m/s <sup>2</sup>	7,2
		$a_{hv\ eq}$ (Ax în cea mai lungă poziție)	m/s <sup>2</sup>	8,6
		Eroare de măsurare K	m/s <sup>2</sup>	2,0
Medie nivel presiune acustică per ISO 22868	$L_{PA\ eq}$	dBA	89,5	
	Eroare de măsurare K	dBA	2,5	
Medie nivel presiune sonoră per ISO 22868	$L_{WA\ eq}$	dBA	107,3	
	Eroare de măsurare K	dBA	2,5	

- Datorită programului nostru continuu de cercetare și dezvoltare, specificațiile din prezentul document pot fi modificate fără o notificare prealabilă.
- Specificațiile pot diferi în funcție de țară.

EY2650H



RO	DENUMIREA PIESELOR
1	Lanț de ferăstrău
2	Lamă de ghidare
3	Rezervor ulei
4	Capac rezervor ulei
5	Suport lamă
6	Cutie de viteze
7	Buton rotativ
8	Ax telescopic
9	Mâner frontal
10	Manetă accelerație
11	Manetă de blocare
12	Mâner posterior
13	Cablu de control
14	Tobă de eșapament
15	Țeavă de eșapament
16	Capac ulei
17	Manetă de pornire
18	Filtru de aer
19	Capac rezervor carburant
20	Rezervor de carburant
21	Apărătoare lamă de ghidare

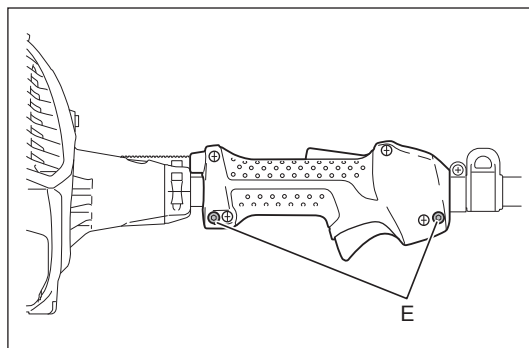
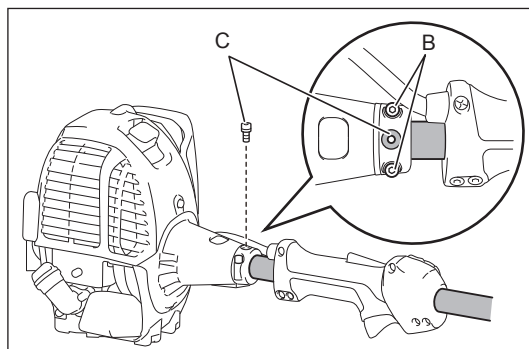
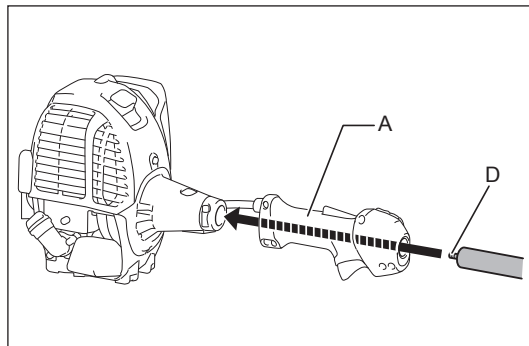
## AVERTISMENT:

- Înainte de asamblarea, reglarea sau verificarea echipamentului, opriți motorul și înlăturați capacul bujiei.
- Purtați mănuși de protecție când manevrați lanțul ferăstrăului.
- Înaintea asamblării, reglării sau verificării, așteptați răcirea lanțului de ferăstrău. Lanțul de ferăstrău devine foarte fierbinte în timpul operării și vă poate cauza arsuri pe piele.

## Asamblare ax și carcasa ambreiaj

Asamblați axul cu mânerul posterior și unitatea motorului, în modul următor:

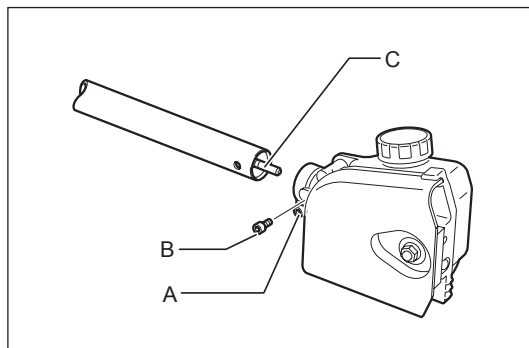
1. Introduceți axul prin mânerul posterior **(A)**.
2. Slăbiți cele două șuruburi de fixare **(B)** și îndepărtați șurubul central **(C)** de pe carcasa ambreiajului.
3. Introduceți axul în carcasa ambreiajului. Dacă este dificilă introducerea completă a acestuia, rotiți puțin pana de ghidare **(D)**.
4. Aliniați orificiul de pe ax cu orificiul șurubului central.
5. Strângeți șurubul central.
6. Strângeți cele două șuruburi de fixare uniform.
7. Reglați poziția mânerului posterior, apoi strângeți-l cu două șuruburi **(E)**.



## Asamblare ax și cutia de viteze

Asamblați axul cu cutia de viteze în modul următor:

1. Slăbiți șurubul **(A)**. Și îndepărtați șurubul **(B)**.
2. Introduceți axul în cutia de viteze. Dacă este dificilă introducerea completă a acestuia, rotiți puțin pana de ghidare **(C)**.
3. Aliniați orificiul de pe ax cu orificiul șurubului **(B)**.
4. Strângeți mai întâi șurubul **(B)** și apoi strângeți șurubul **(A)**.

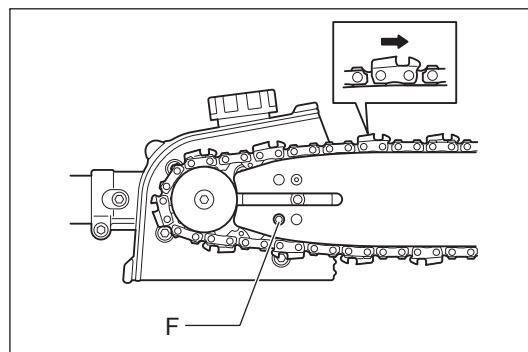
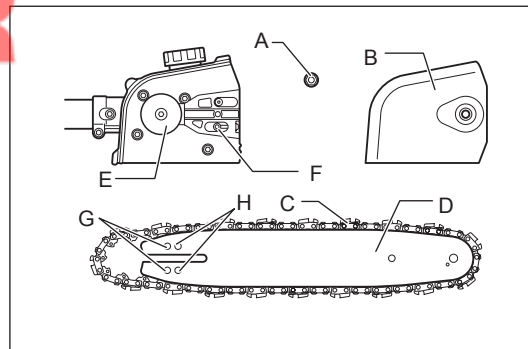


## Asamblarea lanțului ferăstrăului și a lamei de ghidare

**ATENȚIE:** Asigurați-vă că lanțul ferăstrăului, lama de ghidare și roata de lanț au același calibru și același pas.

Asamblați lanțul ferăstrăului și lama de ghidare urmând pașii de mai jos.

1. Slăbiți piulița (A) și apoi înlăturați suportul lamei (B).
2. Fixați lanțul ferăstrăului (C) în canelura lamei de ghidare (D). Începeți de la vârful lamei.
3. Fixați lanțul ferăstrăului (C) pe roata de lanț (E).
4. Instalați lama de ghidare (D) astfel încât piulița de tensionare (F) să se fixeze în orificiul (G) al acesteia. Orificiile (H) nu sunt utilizate.
5. Fixați suportul pentru lamă (B) și apoi strângeți ferm piulița (A). Apoi slăbiți piulița cu jumătate de rotație, ca parte a operației de reglare a tensiunii lanțului.
6. Reglați tensiunea lanțului. Consultați secțiunea "Reglarea tensiunii lanțului."



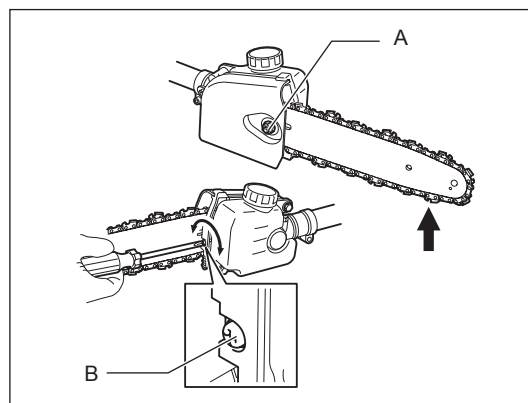
## Reglarea tensiunii lanțului

**ATENȚIE:**

- Mențineți tensiunea aplicabilă a lanțului ferăstrăului. O tensiune slabă poate cauza desprinderea lanțului de ferăstrău în timpul operării. O tensiune prea mare poate deteriora lanțul ferăstrăului sau lama de ghidare.
- În timpul operării, verificați frecvent tensiunea lanțului. Lanțul ferăstrăului se întinde și se slăbește în timpul operării. Atunci când utilizați un lanț de ferăstrău nou, ajustați tensiunea mai frecvent.

Ajustați tensiunea lanțului urmând pașii de mai jos.

1. Slăbiți piulița (A) cu jumătate de rotație.
2. Țineți vârful lamei în sus. Rotiți șurubul de tensionare (B) în sensul acelor de ceasornic până când lanțul ferăstrăului se fixează pe partea inferioară a lamei.
3. Fixați lanțul ferăstrăului în mijlocul lamei de ghidare și ridicați. Spațiul între lama de ghidare și cureaua de legare a lanțului de ferăstrău trebuie să fie de aproximativ 3 - 4 mm (0,118"-0,157"). Dacă nu este, rotiți ușor șurubul de tensionare în sens invers acelor de ceasornic și repetați pasul 2.
4. Strângeți ferm piulița (A).
5. Dacă este necesar, strângeți șurubul de tensionare puțin pentru a preveni căderea acestuia.



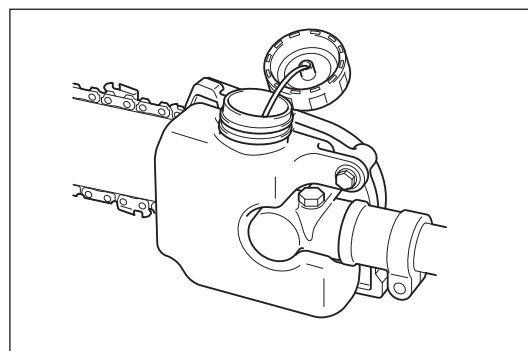
## Umplerea rezervorului de ulei pentru lanț

Lanțul ferăstrăului trebuie să fie lubrifiat cu ulei pentru lanț în timpul operării. Înainte de operare, umpleți rezervorul de ulei pentru rezervor. După alimentarea cu ulei, strângeți bine capacul rezervorului de ulei. Folosiți doar ulei de lanț Makita original.

**NOTĂ:**

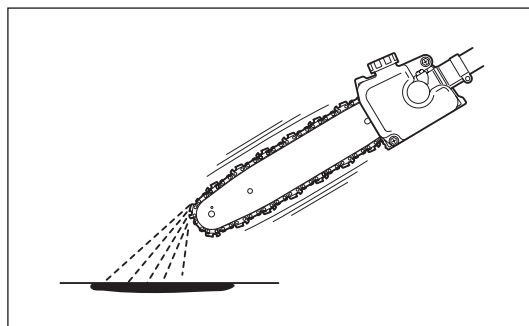
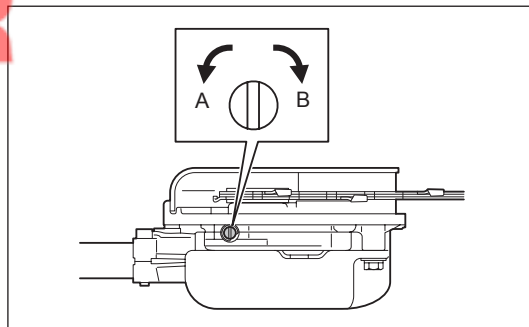
- Nu folosiți niciodată ulei uzat. Acesta ar putea deteriora pompa pentru ulei.
- Evitați mediile cu praf atunci când efectuați umplerea cu lanț de ulei. Praful și alte materii străine pot deteriora sistemul de alimentare cu ulei.

În timpul operării, acordați întotdeauna atenție nivelului de ulei. Reumpleți rezervorul dacă nivelul uleiului scade. Rezervorul se golește după aproximativ 40 de minute de operare (în funcție de setarea pentru lubrifierea lanțului).



## Ajustarea ratei de alimentare cu ulei pentru lanț

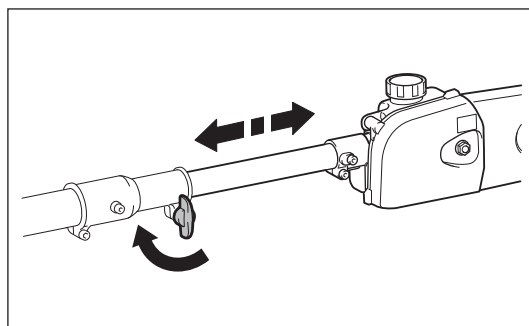
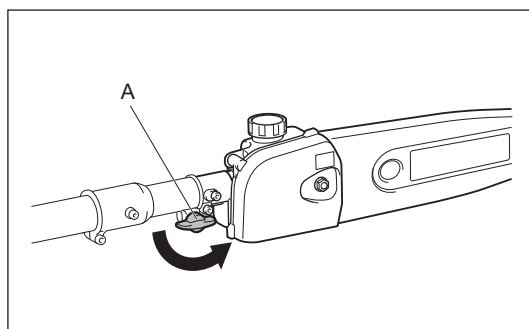
Rata de alimentare cu ulei pentru lanț este ajustabilă în **trei pași**. În funcție de operare, de exemplu, la tăierea de crengi groase, reglați rata de alimentare. Pentru a ajusta rata de alimentare cu ulei pentru lanț, utilizați o șurubelniță lată. Apăsăți șurubul de reglare în interior și rotiți-l. Pentru a mări rata de alimentare, rotiți șurubul de reglare în sens invers acelor de ceasornic (**A**). Pentru a reduce rata de alimentare, rotiți-l în sensul acelor de ceasornic (**B**). După ajustarea ratei de alimentare cu ulei pentru lanț, verificați rata de alimentare operând echipamentul la viteză medie.



## Reglarea lungimii ferăstrăului

Reglați lungimea ferăstrăului în modul următor:

1. Rotiți butonul (**A**) în sens invers acelor de ceasornic.
2. Reglați lungimea tijei telescopice.
3. Rotiți butonul în sensul acelor de ceasornic pentru a fixa capul angrenajului.



## Curea pentru umăr

### Ajustarea curelei de umăr

Ajustați cureaua la lungimea potrivită pentru operațiunea dumneavoastră.

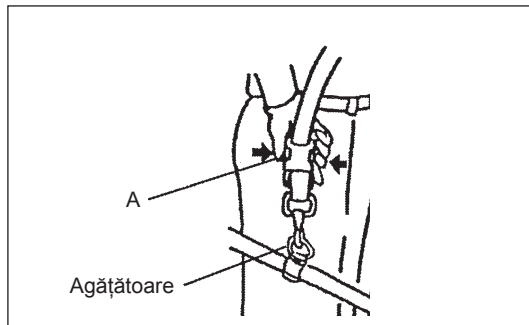
### Detășarea

În caz de urgență, apăsați creștăturile (**A**) de pe ambele părți și detașați echipamentul.

Fiiți foarte atenți pentru a menține controlul echipamentului în acest timp. Nu permiteți devierea echipamentului spre dumneavoastră sau spre orice altă persoană din apropierea zonei de lucru.

**AVERTISMENT:** Lipsa menținerii controlului complet asupra mașinii poate cauza leziuni corporale grave sau MOARTEA.

Notă: În unele țări, cureaua pentru umăr nu are această funcție de desprindere.



## Inspecția și completarea cu ulei de motor

- Efectuați următoarea procedură, cu motorul răcit.
- Setează nivelul motorului, scoateți capacul de ulei (Fig. 1) și verificați pentru a vedea dacă există sau nu ulei în intervalul dintre limita superioară și inferioară marcate pe conducta de ulei (Fig. 2).
- Umpleți cu ulei până la marcajul limitei superioare, dacă uleiul este insuficient (nivelul de ulei este apropiat de marcajul limitei inferioare) (Fig. 3).
- Zona care înconjoară marcajele externe este transparentă, deci cantitatea de ulei din interior poate fi verificată fără a fi necesară scoaterea capacului de ulei. Totuși, în cazul în care conducta de ulei devine extrem de murdară, vizibilitatea se poate pierde, iar nivelul de ulei va trebui verificat pe baza secțiunii etajate din interiorul conductei de ulei.
- Pentru referință, timpul de completare cu ulei este de aproximativ 10 ore (la fiecare 10 realimentări).  
Dacă uleiul își schimbă culoarea sau se amestecă cu murdărie, înlocuiți-l cu ulei nou. (Pentru interval și metoda de înlocuire, consultați P 94)

**Ulei recomandat:** Ulei SAE 10W-30 de categorie API, clasa SF sau superioară (motor în 4 timpi pentru automobile)

**Volum de ulei:** Aprox. 0,08 l

Notă: Dacă motorul nu este ținut vertical, uleiul poate circula în motor și poate fi completat în exces.

Dacă uleiul este umplut peste limită, acesta poate fi contaminat sau se poate aprinde degajând un fum alb.

### Punctul 1 în Schimbul de ulei: "Capac de ulei"

- Îndepărtați praful sau murdăria din apropierea orificiului de completare cu ulei și scoateți capacul de ulei.
- Păstrați capacul de ulei scos necontaminat cu nisip sau praf. Altfel, nisipul sau praful care aderă la capacul de ulei poate cauza circulația neregulată a uleiului sau uzura pieselor motorului, ceea ce va conduce la probleme.

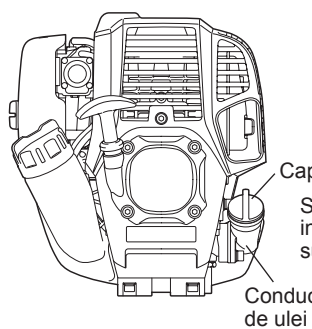


Fig. 1

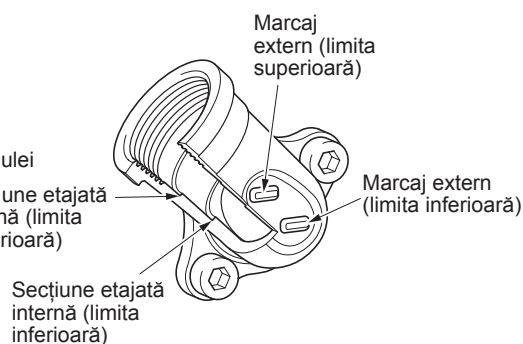


Fig. 2 Conductă de ulei

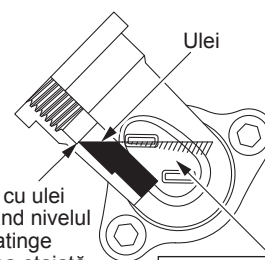
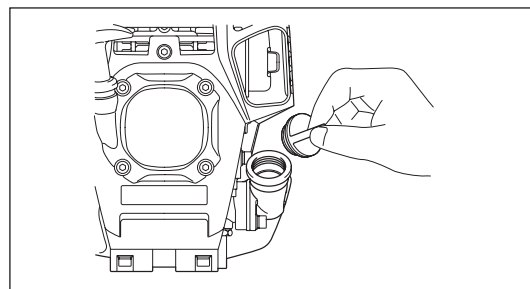


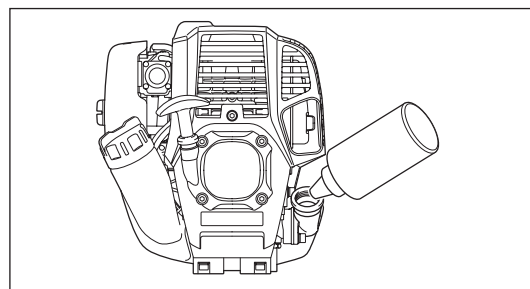
Fig. 3

Zona dintre limita superioară externă și limita inferioară externă este transparentă, astfel încât nivelul de ulei să poată fi verificat din exterior pe baza acestor marcaje.

- (1) Țineți motorul drept, și scoateți capacul de ulei.



- (2) Umpleți cu ulei până la marcajul limitei superioare. (vezi Fig. 3)  
Utilizați sticla de ulei la umplere.



- (3) Strângeți bine capacul de ulei. Strângerea insuficientă poate cauza scurgerea uleiului.



- Nu înlocuiți uleiul cu motorul în poziție înclinată.
- Umplerea cu ulei în timp ce motorul este înclinat va duce la o umplere excesivă, cauzând contaminarea uleiului și/sau degajarea de fum alb.

### Punctul 2 în Schimbul de ulei: “Dacă apar scurgeri de ulei”

- Dacă apar scurgeri de ulei între rezervorul de carburant și unitatea principală a motorului, uleiul este aspirat prin orificiul de admisie a aerului de răcire, ceea ce va contamina motorul. Asigurați-vă că ștergeți uleiul scurs înainte de începerea operării.

## REALIMENTARE CU CARBURANT

### Manipularea carburantului

Este necesar să manipulați carburantul cu cea mai mare atenție. Carburantul poate conține substanțe similare solvenților. Realimentarea cu carburant trebuie efectuată într-o încăpere aerisită suficient sau în aer liber. Nu inhalați vapori de carburant și țineți carburantul la distanță de dvs. Dacă atingeți carburantul în mod repetat sau pentru o perioadă îndelungată de timp, pielea se deshidratează, ceea ce poate cauza boală de piele sau alergie. În cazul în care carburantul intră în ochi, curățați ochiul cu apă proaspătă. Dacă ochiul rămâne în continuare iritat, consultați medicul.

Nu efectuați realimentarea cu carburant în condiții fără vizibilitate bună sau pe suprafețe instabile.

### Perioada de depozitare a carburantului

Carburantul trebuie utilizat într-o perioadă de până la 4 săptămâni, chiar dacă este păstrat într-un recipient special într-un adăpost bine aerisit. Dacă un recipient special nu este utilizat sau dacă recipientul nu este acoperit, carburantul se poate deteriora într-o singură zi.

### DEPOZITAREA MAȘINII ȘI A REZERVORULUI DE REALIMENTARE

- Depozitați mașina și rezervorul într-un loc răcoros și ferit de lumina directă a soarelui.
- Este interzis să depozitați carburantul în cabină sau portbagaj.

## Carburant

Motorul este în patru timpi. Asigurați-vă că utilizați benzină pentru automobil (benzină obișnuită sau premium).

### Aspecte referitoare la carburant

- Este interzis să utilizați un amestec de benzină care conține ulei de motor. Altfel, aceasta va cauza acumularea excesivă de calamină sau probleme mecanice.
- Utilizarea de ulei deteriorat va cauza pornirea neregulată.

## Realimentare cu carburant

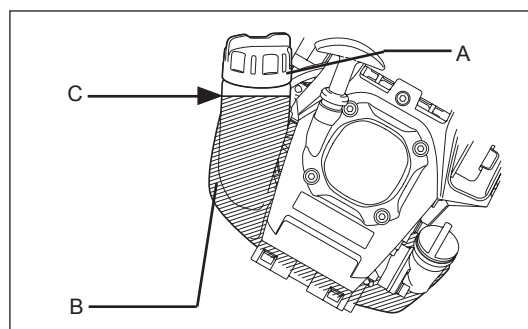
### AVERTISMENT: PRODUSELE INFLAMABILE STRICT INTERZISE

**ATENȚIE:** Nu uitați să închideți capacul rezervorului de carburant după realimentare. Nu porniți niciodată motorul cu capacul rezervorului de carburant deschis.

**Benzină utilizată:** Benzină de automobil (benzină fără plumb)

1. Slăbiți puțin capacul rezervorului de carburant (**A**) pentru a evita vărsarea carburantului.
2. Detașați capacul rezervorului de carburant. Și înclinați motorul astfel încât portul de realimentare să fie orientat în sus.
3. Realimentați acordând atenție aerului evacuat din rezervorul de carburant (**B**). (Nu realimentați peste limita superioară de carburant (**C**).)
4. Ștergeți bine în apropierea capacului rezervorului pentru a preveni intrarea corpurilor străine în rezervorul de carburant.
5. După realimentarea cu carburant, strângeți bine capacul rezervorului de carburant.

- În cazul în care capacul rezervorului prezintă orice defect sau deteriorare, înlocuiți-l.
- Capacul rezervorului se uzează în decursul timpului. Înlocuiți-l la fiecare doi sau trei ani.



## ATENȚIE:

Respectați reglementările aplicabile privind prevenirea accidentelor!

## NOTĂ:

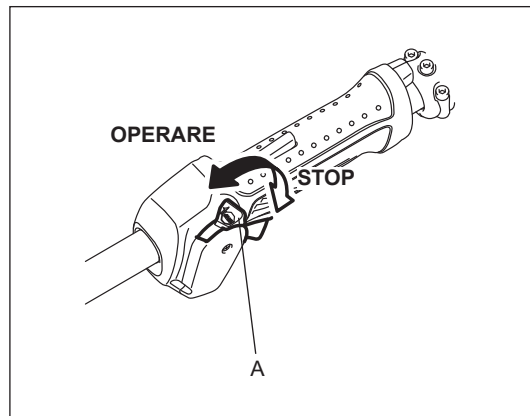
Îndepărtați apărătoarea lamei de ghidare înainte de a porni motorul.

## PORNIRE

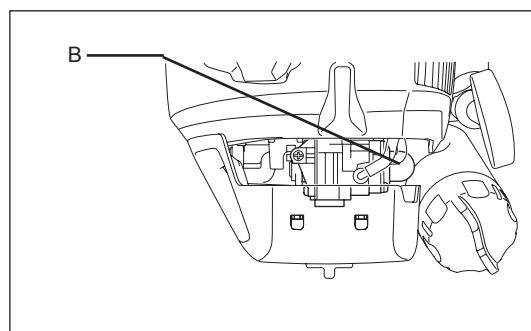
Deplasați-vă la distanță de cel puțin 3 m față de locul de realimentare cu carburant. Plasați echipamentul pe o porțiune curată de sol având grijă ca dispozitivul de atașare să nu intre în contact cu solul sau alte obiecte.

### A: Pornirea la rece

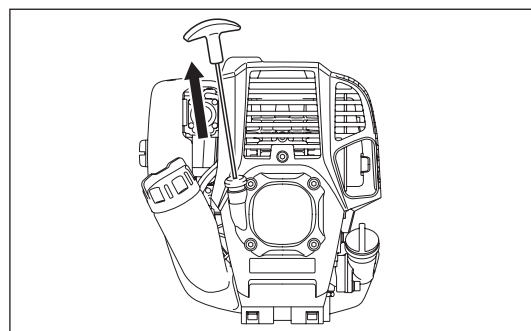
- 1) Puneți această mașină pe o suprafață dreaptă.
- 2) Poziționați comutatorul I-O (**A**) în poziția OPERARE.



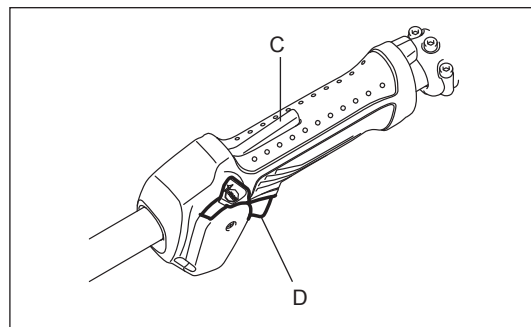
- 3) Pompă de amorsare  
Continuați să apăsați pompa de amorsare (**B**) până când carburantul intră în pompa de amorsare.  
(În general, carburantul intră în pompa de amorsare după 7 sau 10 apăsări.)  
Dacă pompa de amorsare este apăsată excesiv, surplusul de benzină se întoarce în rezervorul de carburant.



- 4) Demaror cu rapel  
Trageți ușor maneta de pornire, până când devine dificil de tras (punct de compresie). Apoi, reveniți cu maneta de pornire și trageți-o puternic. Nu trageți cablul la maxim. Odată ce maneta de pornire este trasă, nu retrageți mâna imediat. Țineți maneta de pornire până când aceasta revine în poziția sa inițială.



- 5) Mânerul este prevăzut cu o manetă de blocare (**C**) pentru a preveni pornirea accidentală. Pentru a trage maneta de accelerație (**D**), prindeți mânerul pentru a elibera blocajul (butonul de blocare este apăsat prin presiunea exercitată de mână).



- 6) Operația de încălzire  
Continuați operația de încălzire pentru 2 până la 3 minute.

Notă: În cazul admisie excesive de carburant, scoateți bujia și trageți de mânerul demarorului încet pentru a îndepărta carburantul în exces. De asemenea, uscați secțiunea electrodului bujiei.

## Atenționare în timpul operării:

Dacă maneta de accelerație este deschisă complet în timpul funcționării în gol, turația motorului crește la 10.000 min<sup>-1</sup> sau mai mult. Este interzis să lăsați motorul să funcționeze la o turație mai mare decât cea necesară și la o turație de aproximativ 6.000 - 8.500 min<sup>-1</sup>.

## B: Pornire după operația de încălzire

- 1) Apăsați pompa de amorsare în mod repetat.
- 2) Țineți maneta de accelerație în poziția de ralanti.
- 3) Trageți puternic de demarorul cu rapel.
- 4) Dacă este dificil să porniți motorul, deschideți accelerația cu aproximativ 1/3. Acordați atenție dispozitivului de atașare care se poate roti.

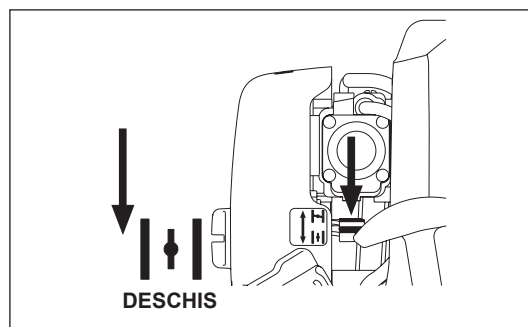
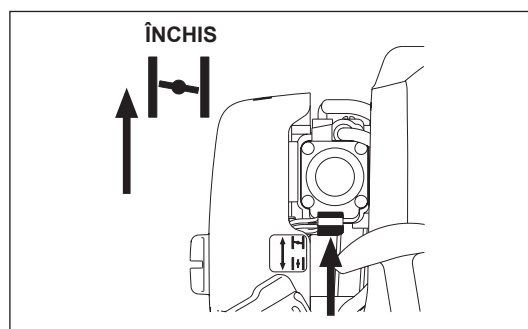
## Uneori, de exemplu pe timpul iernii, când pornirea motorului este dificilă

La pornirea motorului, operați maneta de șoc în modul următor.

- După implementarea etapelor de pornire 1) - 3), setați maneta de șoc la poziția ÎNCHIS.
- Implementați etapa de pornire 4) și porniți motorul.
- După pornirea motorului, setați maneta de șoc la poziția DESCHIS.
- Implementați etapa de pornire 5) și finalizați încălzirea.

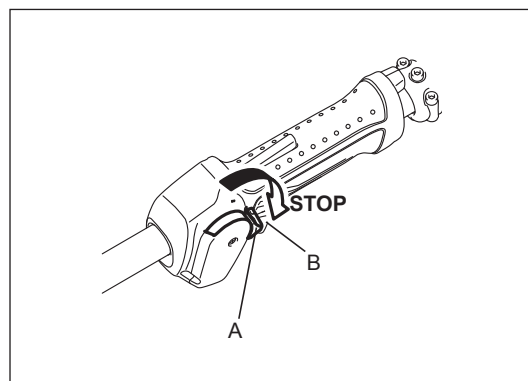
ATENȚIE: Dacă este auzit un sunet puternic (de explozie), iar motorul se oprește, sau motorul calează imediat după pornire înainte ca maneta de șoc să fie acționată, readuceți maneta de șoc în poziția DESCHIS și trageți maneta de pornire de câteva ori pentru a porni motorul.

ATENȚIE: Dacă maneta de șoc este lăsată în poziția ÎNCHIS, iar maneta de pornire este trasă insuficient, va fi absorbit prea mult carburant, iar motorul va fi dificil de pornit.



## OPRIRE

- 1) Eliberați maneta de accelerație (B) complet și când turația motorului a scăzut, setați comutatorul I-O (A) la STOP, motorul se va opri în acest moment.
- 2) Țineți cont de faptul că este posibil ca dispozitivul de atașare să nu se oprească imediat, deci lăsați-l să încetinească complet.

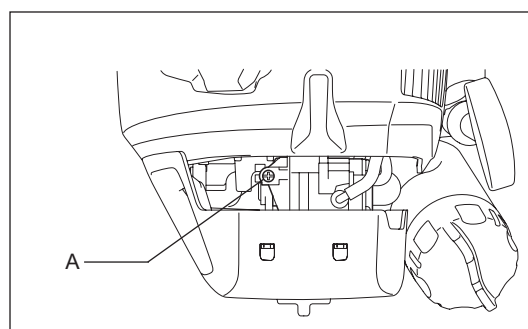


## REGLAREA ROTAȚIEI LA TURAȚIE JOASĂ (RALANTI)

Atunci când este necesar să reglați rotația la turație joasă (ralanti), efectuați-o de la șurubul de reglare carburator (A).

## VERIFICAREA ROTAȚIEI LA TURAȚIE JOASĂ

- Setați rotația la turație joasă la 3.000 min<sup>-1</sup>. Dacă este necesar să schimbați viteza de rotație, reglați șurubul de reglare, cu șurubelnița cu cap în cruce.
- Rotiți șurubul de reglare la dreapta și turația motorului va crește. Rotiți șurubul de reglare la stânga și turația motorului va scădea.
- Carburatorul este în general reglat înainte de livrare. Dacă este necesar să-l reglați din nou, vă rugăm să contactați centrul de service autorizat.

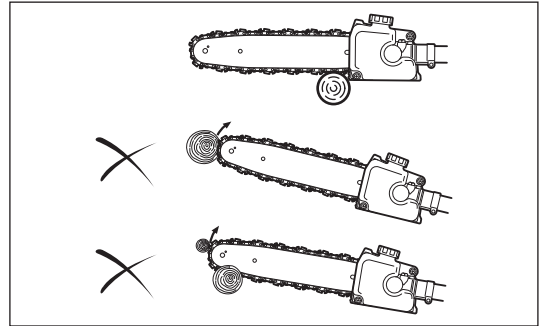
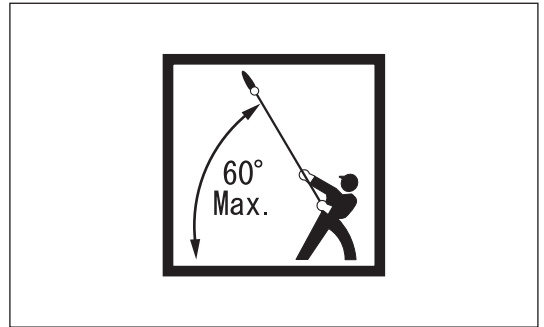


## Poziție de staționare

- Stați pe o suprafață stabilă. Aduceți unghiul ferăstrăului la 60° față de suprafața orizontală a solului.
- Tăiați mai întâi ramurile de jos, astfel încât ramurile de sus să cadă mai ușor.
- Păstrați întotdeauna o cale de retragere, în cazul în care o creangă tăiată cade spre operator.

## Metodă

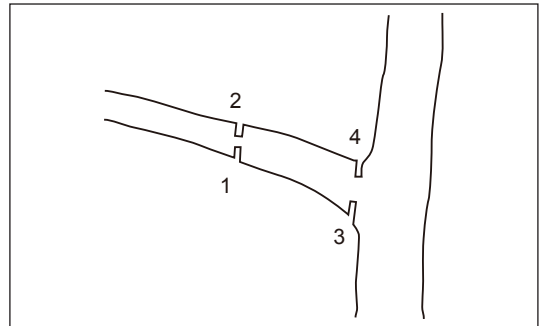
- Porniți motorul și trageți maneta de accelerație până când lanțul ferăstrăului atinge turația maximă.
- Apăsăți ușor lanțul ferăstrăului pe creangă. Nu forțați echipamentul, în caz contrar acesta se poate defecta.
- Nu folosiți niciodată vârful lamei pentru tăiere. În caz contrar, poate apărea un recul periculos și pot rezulta accidente personale.



## Sfaturi privind tăierea crengilor groase

Atunci când utilizați o creangă groasă, utilizați următoarea metodă.

1. Faceți o tăietură mică pe cealaltă parte a crengii, unde există o mică distanță față de locul în care intenționați să tăiați.
2. Tăiați creanga din partea superioară a celei în care ați efectuat prima tăietură.
3. Faceți o altă tăietură mică pe partea inferioară a crengii, unde intenționați să tăiați.
4. Tăiați creanga din partea superioară, în locul în care intenționați să efectuați tăierea.



# INSTRUCȚIUNI DE SERVICE

**ATENȚIE:** Înainte de a efectua orice fel de lucrări asupra echipamentului, opriți întotdeauna motorul și scoateți fișa bujiei (consultați "Verificarea bujiei").

Purtați întotdeauna mănuși de protecție!

Când inspectați sau întrețineți echipamentul, așezați-l întotdeauna jos. Asamblarea sau reglarea echipamentului în poziție verticală poate cauza accidente grave.

Montați întotdeauna apărătoarea lamei de ghidare în timpul utilizării.

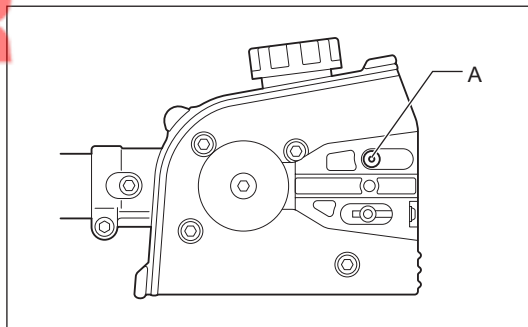
Pentru a asigura o durată de funcționare îndelungată și pentru a evita orice deteriorare a echipamentului, următoarele operații de întreținere trebuie efectuate la intervale regulate.

## Verificare și întreținere zilnică

- Înainte de folosire, verificați dacă unealta are șuruburi slăbite sau piese lipsă. Acordați o atenție specială în cazul unor dispozitive de atașare specifice, pentru montarea în siguranță a acestora.
- Înainte de operare, verificați întotdeauna eventuala înfundare a pasajului de aer pentru răcire și a aripioarelor cilindrilor. Curățați-le dacă este necesar.
- Efectuați următoarele lucrări zilnic după folosire:
  - Curățați echipamentul la exterior și verificați pentru eventuale defecte.
  - Curățați filtrul de aer. Atunci când lucrați în condiții cu foarte mult praf, curățați filtrul de mai multe ori pe zi.
  - Verificați dacă există o diferență suficientă între turația de ralanti și cea de cuplare, pentru a vă asigura că dispozitivul de atașare este oprit în timp ce motorul funcționează la ralanti (dacă este necesar, reduceți turația la ralanti). Dacă în condiții de ralanti unealta continuă să se rotească, consultați cel mai apropiat agent de service autorizat.
- Verificați funcționarea comutatorului I-O, a manetei de deblocare și a manetei de control.

## Curățarea orificiului de alimentare cu ulei pentru lanț

Curățați orificiului de alimentare cu ulei pentru lanț (A) în fiecare zi. Pentru a avea acces la acesta, îndepărtați suportul lamei și lama de ghidare.

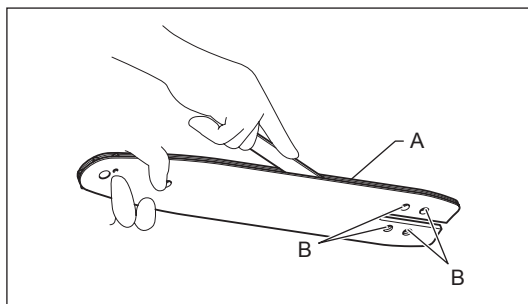


## Curățarea și inspectarea lamei de ghidare

Curățați lama de ghidare zilnic. Înlăturați rumegușul din canelură (A) și din orificiul de alimentare cu ulei pentru lanț (B).

Pentru a evita uzura pe o parte a lamei de ghidare, întoarceți-o de fiecare dată când înlocuiți sau ascuțiți lanțul ferăstrăului.

În cazul în care canelura este uzată, îndoită, fisurată sau deformată, înlocuiți lama de ghidare.



## Inspectarea lanțului de ferăstrău

Atunci când considerați că lanțul ferăstrăului este uzat, deformat, fisurat sau necesită mai mult efort la tăiere, înlocuiți-l sau contactați centrul de service autorizat Makita pentru ascuțirea acestuia.

## Lubrifierea componentelor mobile

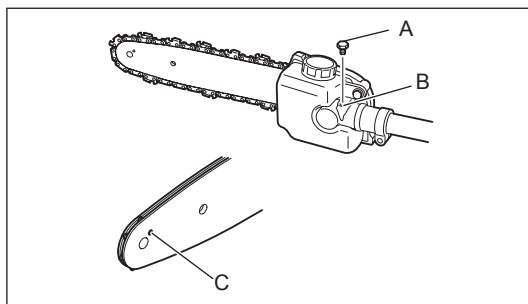
**NOTĂ:** Respectați instrucțiunile privind frecvența și cantitatea de unsoare furnizată. În caz contrar, lubrifierea insuficientă poate cauza deteriorarea componentelor mobile.

Cutie de viteze:

Îndepărtați dopul de umplere cu unsoare (A) și umpleți cu unsoare pe bază de litiu prin orificiul de unsoare (B) la fiecare 25 de ore de operare.

Vârful lamei de ghidare:

Aplicați unsoare (Shell Alvania Nr. 2 sau echivalent) prin orificiul de ungere (C) la fiecare 10 ore de operare.



## ÎNLOCUIREA ULEIULUI DE MOTOR

Uleiul de motor deteriorat va reduce mult durata de funcționare a pieselor culisante și în rotație. Asigurați-vă că ați verificat perioada și cantitatea de înlocuit.



**ATENȚIE:** În general, unitatea principală a motorului și uleiul de motor rămân calde în continuare imediat după ce motorul este oprit. La înlocuirea uleiului, verificați că unitatea principală a motorului și uleiul de motor sunt suficient de reci. Altfel, poate exista în continuare risc de arsuri.

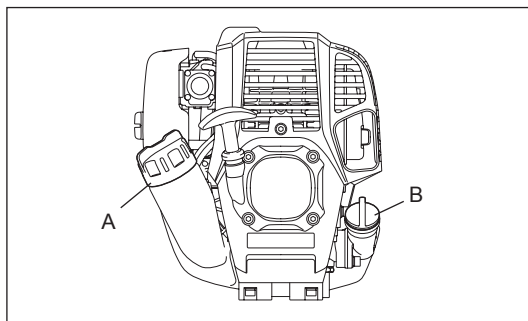
**Notă:** Dacă uleiul este umplut peste limită, acesta poate fi contaminat sau se poate aprinde degajând un fum alb.

**Interval de înlocuire:** Inițial, după 20 de ore de operare și ulterior la fiecare 50 de ore de operare

**Ulei recomandat:** Ulei SAE 10W-30 de categorie API, clasa SF sau superioară (motor în 4 timpi pentru automobile)

La înlocuire, efectuați următoarea procedură.

- 1) Verificați strângerea corespunzătoare a capacului rezervorului de carburant (A).
- 2) Amplasați un recipient mare (tavă, etc.) sub orificiul de golire (C).

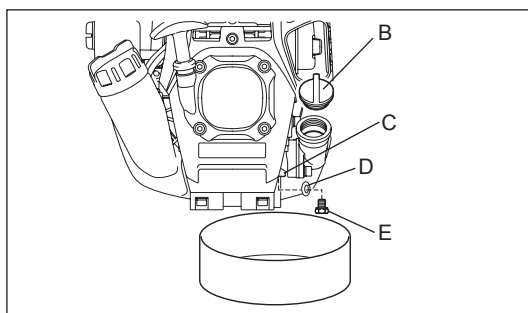


- 3) Scoateți bolțul de golire (E), iar apoi scoateți capacul de ulei (B) pentru a evacua uleiul prin orificiul de golire.

În acest moment, acordați o atenție maximă pentru a nu pierde șaibele bolțului de golire (D) și pentru a nu murdări componentele demontate.

- 4) După evacuarea întregii cantități de ulei, îmbinați șaiba cu bolțul de golire și strângeți ferm bolțul, astfel încât acesta să nu se poată desface cauzând scurgeri.

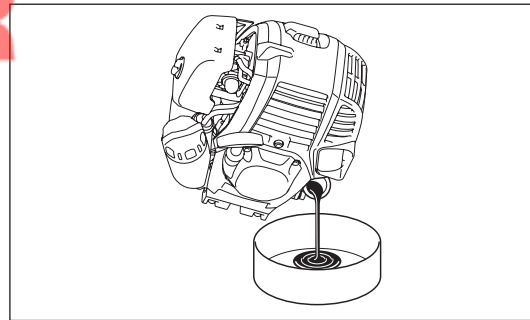
\* Utilizați o cârpă pentru a șterge complet orice urme de ulei de pe bolț sau echipament.



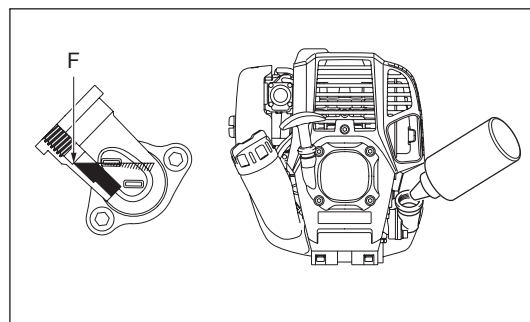
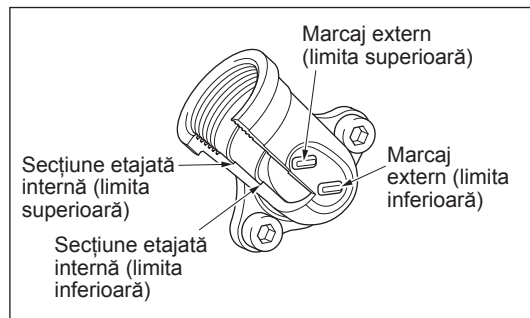
### Metodă alternativă de evacuare

Scoateți capacul de ulei, înclinați echipamentul spre orificiul de umplere cu ulei și goliți uleiul.

Colectați uleiul în recipient.



- 5) Setează nivelul motorului și umpleți gradual până la marcajul de limită superioară (F), cu ulei nou.
- 6) După umplere, strângeți ferm capacul de ulei, astfel încât acesta să nu se poată desface, cauzând scurgeri. În cazul în care capacul de ulei nu este strâns ferm, pot apărea scurgeri.



### ASPECTE PRIVIND ULEIUL

- Este interzis să aruncați uleiul de motor înlocuit la un loc cu gunoiul menajer, pe pământ sau în canalizare. Eliminarea uleiului este reglementată prin lege. La eliminare, respectați întotdeauna legile și regulamentele relevante. Pentru orice nelămuriri, contactați agentul de service autorizat.
- Uleiul se va deteriora chiar când nu este utilizat. Efectuați inspecția și înlocuirea la intervale regulate (înlocuiți cu ulei nou la fiecare 6 luni).

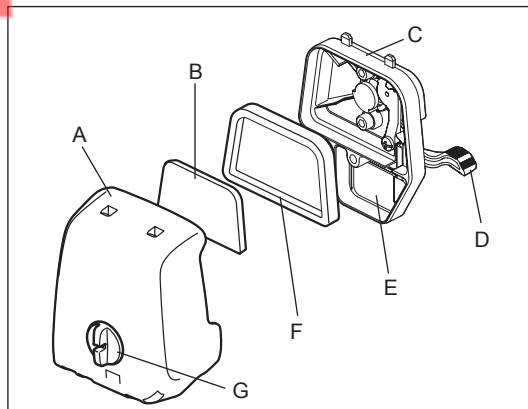
## CURĂȚAREA FILTRULUI DE AER



**PERICOL: PRODUSELE INFLAMABILE STRICT INTERZISE**

**Interval de curățare și inspecție: Zilnic (la fiecare 10 ore de operare)**

- Rotiți maneta de șoc (D) în partea corespunzătoare poziției complet închise și țineți carburatorul la distanță de praf sau murdărie.
- Slăbiți șurubul de fixare (G).
- Îndepărtați capacul filtrului de aer (A), trăgând de partea de jos.
- Scoateți elementele (B) (F) și loviți-le pentru a îndepărta murdăria.
- Dacă elementele sunt foarte contaminate:  
Scoateți elementele, introduceți-le în apă caldă sau în detergent neutru diluat cu apă și uscați-le complet. Nu le strângeți și nu le frecați în timpul spălării.
- Înainte de a atașa elementele, asigurați-vă că s-au uscat complet. Uscarea insuficientă a elementelor poate duce la pornirea dificilă.
- Ștergeți cu o cârpă uleiu care a aderat în jurul capacului filtrului de aer (E) și al supapei de aerisire.
- Montați elementul (burete) (B) în elementul (pâslă) (F).  
Montați elementele în placă (C) astfel încât buretele să fie orientat spre capacul filtrului de aer.
- Atașați imediat capacul filtrului și strângeți-l cu șuruburi de fixare. (La remontare, plasați mai întâi clichetul superior și apoi clichetul inferior.)



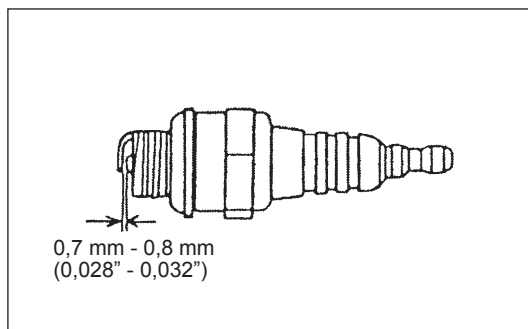
### NOTĂ:

- Curățați elementele de mai multe ori pe zi, dacă praful în exces aderă la acestea. Elementele murdare reduc puterea motorului și îngreunează pornirea.
- Ștergeți uleiul de pe elemente. Dacă funcționarea continuă cu elementele necurățate de ulei, uleiul din filtrul de aer poate ieși, rezultând contaminarea mediului înconjurător.
- Nu puneți elementele pe sol sau într-un loc murdar. Acestea pot acumula murdărie sau resturi, putând deteriora motorul.
- Nu utilizați niciodată carburant pentru a curăța elementele. Carburantul le poate deteriora.

## VERIFICAREA BUJIEI

- Utilizați doar cheia universală furnizată pentru a scoate sau a instala bujia.
- Distanța dintre cei doi electrozi ai bujiei trebuie să fie 0,7 - 0,8 mm (0,028" - 0,032"). Dacă distanța este prea mare sau prea mică, reglați-o. Dacă bujia este înfundată sau contaminată, curățați-o bine sau înlocuiți-o.

**ATENȚIE:** Nu atingeți fișa bujiei în timp ce motorul funcționează (pericol de șoc electric la tensiune înaltă).





## CURĂȚAREA FILTRULUI DE CARBURANT

### AVERTISMENT: PRODUSELE INFLAMABILE STRICT INTERZISE



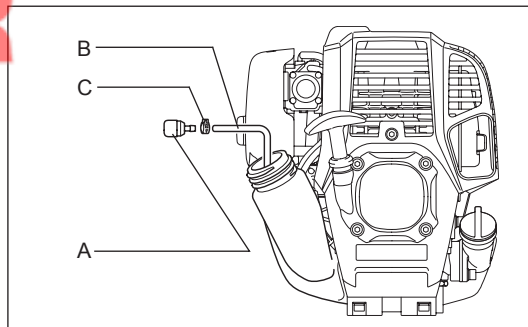
Interval de curățare și inspecție: Lunar (la fiecare 50 ore de operare)

#### Capul de aspirație din rezervorul de carburant

Verificați filtrul de carburant (A) periodic. Pentru a verifica filtrul de carburant, urmați pașii prezentați mai jos:

- (1) Scoateți capacul rezervorului de carburant și scurgeți carburantul până la golirea rezervorului. Verificați dacă există materiale străine în interiorul rezervorului. Dacă există, eliminați-le.
- (2) Scoateți capul de aspirație folosind o clemă de sârmă prin orificiul rezervorului.
- (3) Dacă filtrul de carburant este ușor înfundat, curățați-l. Pentru a-l curăța, scuturați-l și loviți-l ușor în carburant. Pentru a evita deteriorarea acestuia, nu-l strângeți și nu-l frecați. Carburantul folosit pentru curățare trebuie să fie eliminat conform metodei specificate prin reglementările din țara dumneavoastră. Dacă filtrul de carburant s-a întărit s-au este foarte înfundat, înlocuiți-l.
- (4) După verificare, curățare sau înlocuire, introduceți filtrul de carburant în conducta de carburant (B) și fixați-l cu clema de furtun (C). Împingeți filtrul de carburant până la fundul rezervorului de carburant.

Filtrul de carburant înfundat sau deteriorat poate duce la o alimentare insuficientă cu carburant și la reducerea puterii motorului. Înlocuiți filtrul de carburant cel puțin trimestrial, pentru a asigura o alimentare suficientă cu carburant a carburatorului.



#### ÎNLOCUIREA CONDUCTEI DE CARBURANT

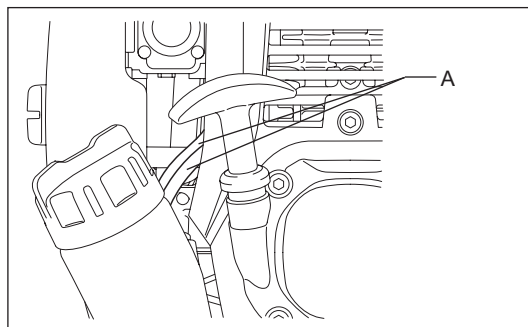
##### ATENȚIE: PRODUSELE INFLAMABILE STRICT INTERZISE

Interval de curățare și inspecție: Zilnic (la fiecare 10 ore de operare)

Înlocuire: Anual (la fiecare 200 ore de operare)

Înlocuiți conducta de carburant (A) în fiecare an, indiferent de frecvența de operare. Scurgerea de carburant poate provoca incendii.

Dacă este detectată o scurgere în timpul inspecției, înlocuiți imediat conducta de carburant.



#### INSPECȚIA BOLȚURILOR, PIULIȚELOR ȘI ȘURUBURILOR

- Strângeți din nou bolțurile, piulițele slăbite etc.
- Verificați dacă există scurgeri de carburant și ulei.
- Înlocuiți piesele deteriorate cu unele noi pentru operare în siguranță.

#### CURĂȚAREA PIESELOR

- Păstrați întotdeauna motorul curat.
- Păstrați aripioarele cilindrului necontaminate cu praf și murdărie. Praful sau murdăria care aderă la aripioare vor cauza griparea pistonului.

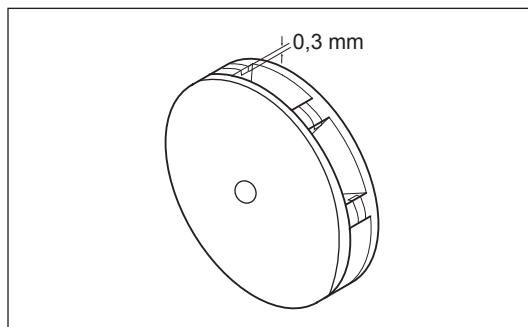
#### ÎNLOCUIREA GARNITURILOR ȘI ETANȘĂRIILOR

La reasamblare după ce motorul este demontat, aveți grijă să înlocuiți garniturile și etanșările cu unele noi.

Orice lucrare de întreținere sau reglare care nu este inclusă și descrisă în acest manual trebuie efectuată doar de către agenți de service autorizați.

#### INSPECTAREA ROȚII DE LANȚ

Verificați uzura roții de lanț la fiecare 50 de ore de utilizare. Înlocuiți-o dacă semnele de uzură ating o adâncime de 0,3 mm sau mai mare.



## Ascuțirea lanțului de ferăstrău



### Ascuțiți lanțul de ferăstrău atunci când:

- La tăierea lemnului umed se produce rumeguș făinos;
- Lanțul penetrează lemnul cu dificultate, chiar dacă se aplică o forță puternică;
- Muchiile tăietoare sunt deteriorate vizibil;
- Ferăstrăul trage spre stânga sau spre dreapta la tăierea lemnului. Cauza acestui comportament este ascuțirea neuniformă a lanțului de ferăstrău, sau deteriorarea unei singure laturi.

### Ascuțiți frecvent lanțul de ferăstrău, însă îndepărtați doar o cantitate mică de material de fiecare dată.

Două sau trei curse ale pilei sunt suficiente de obicei pentru o ascuțire de rutină. După ce lanțul de ferăstrău a fost reascuțit de mai multe ori, solicitați ascuțirea acestuia la un centru de service autorizat MAKITA.

### Criterii de ascuțire:

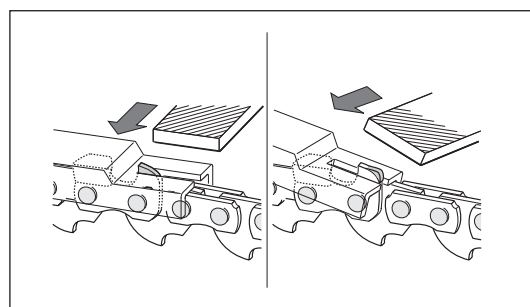
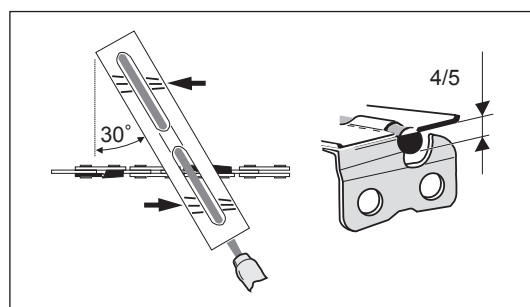
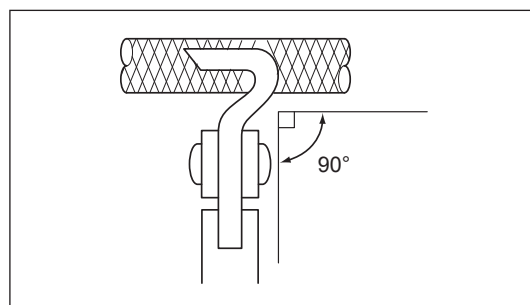
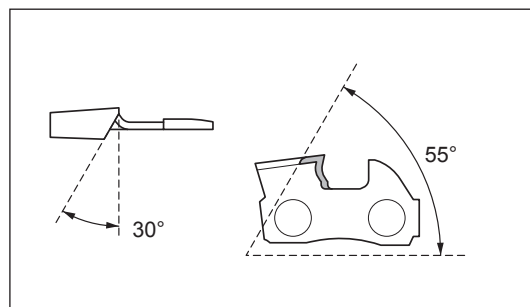
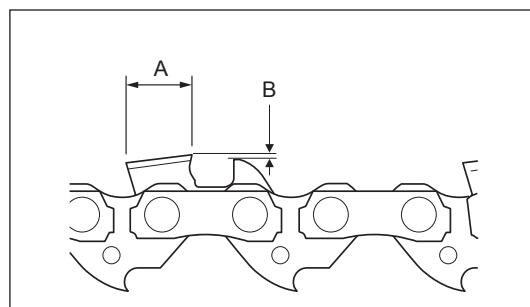
- Toate lungimile cuțitului (**A**) trebuie să fie egale. Cuțitele cu lungimi diferite nu permit funcționarea lină a lanțului și pot provoca ruperea acestuia.
- Grosimea așchii este determinată de distanța dintre calibrul de adâncime (ciocul rotund) și muchia tăietoare (**B**).
- Cele mai bune rezultate de tăiere se obțin cu următoarea distanță între muchia tăietoare și calibrul de adâncime.  
Lamă lanț 91VXL: 0,64 mm (0,025")

**⚠ AVERTISMENT:** O distanță prea mare sporește riscul de recul.

- Unghiul de ascuțire de 30° trebuie să fie identic la toate cuțitele. Diferențele între unghiuri cauzează o funcționare neuniformă a lanțului și uzura accelerată a acestuia, conducând la ruperea lanțului.
- Unghiul plăcii laterale a cuțitului este determinat de adâncimea de penetrare a pilei rotunde. Dacă pila specificată este utilizată corect, unghiul corect al plăcii laterale se obține automat.
- Unghiul corect pentru fiecare lanț de ferăstrău este următorul:  
Lamă lanț 91VXL: 55°

### Pila și ghidarea pilei

- Utilizați o pilă rotundă specială (accesoriu opțional) pentru lanțuri de ferăstrău, pentru a ascuți lanțul. Pilele rotunde normale nu sunt adecvate.
- Diametrul pilei rotunde pentru fiecare lanț de ferăstrău este următorul:  
Lamă lanț 91VXL: 4,0 mm (5/32")
- Pila trebuie să intre în contact cu cuțitul numai pe cursa de avans. Ridicați pila de pe cuțit la cursa de revenire.
- Ascuțiți întâi cuțitul cel mai scurt. Apoi, lungimea acestui cuțit, care este cel mai scurt, devine standard pentru toate celelalte cuțite de pe lanțul de ferăstrău.
- Ghidați pila în modul indicat.
- Pila poate fi ghidată mai ușor dacă se folosește un suport de pilă (accesoriu opțional). Suportul de pilă dispune de marcaje pentru unghiul corect de ascuțire de 30° (alineați marcajele paralel cu lanțul de ferăstrău) și limitează adâncimea de penetrare (la 4/5 din diametrul pilei).
- După ascuțirea lanțului, verificați înălțimea calibrului de adâncime utilizând instrumentul de etalonare a lanțului (accesoriu opțional).
- Îndepărtați orice proeminență de material, oricât de mică, cu o pilă plată specială (accesoriu opțional).
- Rotunjiți din nou muchia frontală a calibrului de adâncime.

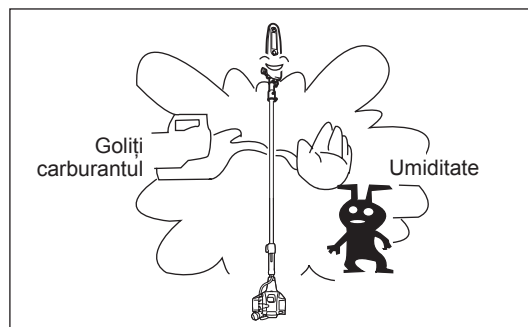




**AVERTISMENT: La golirea carburantului, asigurați-vă că opriți motorul și confirmați faptul că acesta s-a răcit. Motorul va fi fierbinte chiar după oprirea lui. Așteptați răcirea acestuia, deoarece, în caz contrar, pot rezulta arsuri sau incendii.**

Când mașina nu a mai fost utilizată pentru o lungă perioadă de timp, efectuați următoarele:

- Goliți carburantul din rezervorul de carburant și carburator conform următoarei proceduri:
  - 1) Scoateți capacul rezervorului de carburant și goliți complet carburantul. Dacă există corpuri străine rămase în rezervorul de carburant, scoateți-l complet.
  - 2) Trageți afară filtrul de carburant din orificiul de completare utilizând o sârmă.
  - 3) Apăsăți pompa de amorsare până când carburantul este golit din ea și goliți carburantul care provine din rezervorul de carburant.
  - 4) Remontați filtrul pe rezervorul de carburant și strângeți bine capacul rezervorului de carburant.
  - 5) Apoi, lăsați motorul să opereze în continuare până când se oprește.
- Evacuați uleiul de lanț.
- Îndepărtați lanțul de ferăstrău și lama de ghidare.
- A se curăța canalul de ghidare a lamei de ghidare.
- Lubrifiați ușor lanțul de ferăstrău și lama de ghidare.
- Scoateți bujia și picurați câteva picături de ulei de motor prin orificiul bujiei.
- Trageți ușor mânerul demarorului astfel încât uleiul de motor se va răspândi în motor și atașați bujia.
- În general, depozitați mașina în poziție orizontală. Dacă acest lucru nu este posibil, amplasați mașina astfel încât unitatea motorului să se afle sub dispozitivul de tăiere. În caz contrar, uleiul de motor se poate scurge din interior.
- Acordați întotdeauna atenție depozitării mașinii într-un loc sigur, pentru a preveni defectarea acesteia și accidentările personale.
- Depozitați uleiul golit într-un recipient special într-un adăpost bine ventilat.

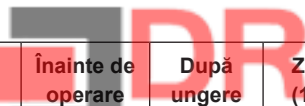


**Atenție după depozitare pe termen lung**

- Înainte de pornire după o perioadă lungă de nefuncționare, asigurați-vă că înlocuiți uleiul de motor (consultați "ÎNLOCUIREA ULEIULUI DE MOTOR"). Uleiul se va deteriora în timp ce mașina nu operează.

**Locație defect**

Defect	Sistem	Observații	Cauză
Motorul nu pornește sau pornește cu dificultate	Sistem de aprindere	Scânteie de aprindere OK  Nu există scânteie de aprindere	Defect la sistemul de alimentare cu carburant sau în sistemul de compresie, defect mecanic  Comutator STOP acționat, defect de cablaj sau scurtcircuit, bujie sau fișă defectă, modul de aprindere defect
	Alimentare cu carburant	Rezervorul de carburant este plin	Poziție incorectă a șocului, carburator defect, conductă de alimentare cu carburant îndoită sau blocată, carburant murdar
	Compresie	Lipsă compresie la tragerea demarorului	Garnitură inferioară cilindru defectă, etanșări arbore cotit deteriorate, segmenti de cilindru sau piston defecți sau etanșare incorectă a bujiei
	Defecțiune mecanică	Demarorul nu cuplează	Arc demaror rupt, piese defecte în interiorul motorului
Probleme de pornire la cald		Rezervor plin, scânteie de aprindere existentă	Carburator contaminat, curățați-l
Motorul pornește, dar se oprește imediat	Alimentare cu carburant	Rezervor plin	Reglare la ralanti incorectă, carburator contaminat  Orificiu de ventilare rezervor de carburant defect, conductă de alimentare cu carburant întreruptă, cablu sau comutator STOP defect
Performanțe insuficiente	Mai multe sisteme pot fi afectate simultan	Turație de ralanti motor defectuoasă	Filtru de aer contaminat, carburator contaminat, tobă de eșapament înfundată, conductă de evacuare din cilindru înfundată



Element	Timp de operare	DR		Zilnic (10 h)	25h	50 h	200 h	Oprire/ pauză
		Înainte de operare	După ungere					
Întreaga unitate	Inspectați vizual	○						
Ulei de motor	Inspectați	○						
	Înlocuiți					○*1		
Strângere piese (bolț, piuliță)	Inspectați	○						
Rezervor de carburant	Inspectați	○						
	Goliți carburantul							○*3
Control accelerație	Verificați funcționarea	○	○					
Comutator Stop	Verificați funcționarea	○	○					
Turație ralanti	Inspectați/reglați			○				
Filtru de aer	Curățați-l			○				
Bujie	Inspectați			○				
Conductă aer răcire	Curățați/inspectați			○				
Conductă de carburant	Inspectați			○				
	Înlocuiți						◎*2	
Filtru de carburant	Curățați/înlocuiți					○		
Distanță între supape (supapa de admisie și supapa de evacuare)	Inspectați/reglați						◎*2	
Revizie motor							◎*2	
Carburator	Goliți carburantul							○*3
Orificiu de alimentare cu ulei pentru lanț	Curățați-l			○				
Lamă de ghidare	Curățați canelura și orificiul de alimentare cu ulei pentru motor			○				
	Inspectați			○				
	Alimentare cu unsoare			○				
Cutie de viteze	Alimentare cu unsoare				○			
Roată de lanț	Inspectați					○		
Lanț de ferăstrău	Înlocuiți sau solicitați ascuțirea							○*4

\*1 Efectuați înlocuirea inițială după 20 h de operare.

\*2 Pentru inspecția la 200 de ore de operare, solicitați asistență din partea unui centru de service autorizat.

\*3 După golirea rezervorului de carburant, lăsați motorul să funcționeze în continuare și goliți carburantul din carburator.

\*4 Dacă este necesar.

## DEPANARE



Înainte de a efectua o solicitare de reparație, căutați chiar dumneavoastră defectul. Dacă sunt detectate anomalii, controlați unealta conform descrierii din acest manual. Este interzis să modificați sau să demontați orice piesă contrar descrierii. Pentru reparații, contactați agentul de service autorizat sau reprezentanța locală.

Stare de anomalie	Cauză probabilă (defecțiuni)	Remediu
Motorul nu pornește	Pompa de amorsare nu operează.	Apăsați de 7 până la 10 ori.
	Viteză mică de tragere a cablului demarorului.	Trageți puternic.
	Lipsă carburant.	Alimentați cu carburant.
	Filtru de carburant înfundat.	Curățați.
	Tub de carburant deconectat.	Conectați în mod corect tubul de carburant.
	Tub de carburant îndoit.	Îndreptați tubul de carburant.
	Carburant deteriorat.	Carburantul deteriorat face pornirea mai dificilă. Înlocuiți cu carburant nou. (Înlocuire recomandată: 1 lună).
	Aspirație excesivă de carburant.	Setați controlul de accelerație la turație medie sau la turație mare și trageți maneta demarorului până când motorul pornește. Odată ce motorul pornește, lanțul ferăstrăului începe să se rotească. Acordați atenție maximă lanțului de ferăstrău. Dacă motorul tot nu pornește, scoateți bujia, uscați electrodul și remontați-le în poziția originală. Apoi, porniți după cum este specificat.
	Capac de bujie detașat.	Atașați-o corespunzător.
	Bujie contaminată.	Curățați.
	Distanță anormală între electrozii bujiei.	Reglați distanța.
	Altă anomalie a bujiei.	Înlocuiți.
	Carburator anormal.	Solicitați inspecție și întreținere.
	Cablul demarorului nu poate fi tras.	Solicitați inspecție și întreținere.
Sistem de transmisie anormal.	Solicitați inspecție și întreținere.	
Motorul se oprește rapid Turația motorului nu crește	Încălzire insuficientă.	Efectuați operația de încălzire.
	Maneta de șoc este setată la "ÎNCHIS" deși motorul este încălzit.	Setați la "DESCHIS".
	Filtru de carburant înfundat.	Curățați.
	Filtru de aer contaminat sau înfundat.	Curățați.
	Carburator anormal.	Solicitați inspecție și întreținere.
	Sistem de transmisie anormal.	Solicitați inspecție și întreținere.
Nu se face alimentarea cu ulei pentru lanț.	Rezervorul de ulei este gol.	Umpleți rezervorul de ulei cu ulei pentru lanț.
	Orificiul de alimentare cu ulei pentru lanț este murdar.	Curățați orificiul de alimentare cu ulei pentru lanț de pe unitate și lama de ghidare.
	Șurubul de reglare a ratei de alimentare cu ulei pentru lanț este setat incorect.	Setați corect șurubul de reglare.
Lanțul de ferăstrău nu se rotește ↓ Oprți motorul imediat	Lama de ghidare este îndoită sau avariată.	Înlocuiți lama de ghidare.
	Materii străine prinse în lanțul de ferăstrău.	Îndepărtați materiile străine în timp ce motorul este oprit.
	Sistem de transmisie anormal.	Solicitați inspecție și întreținere.
Echipamentul vibrează anormal ↓ Oprți motorul imediat	Lamă de ghidare ruptă, îndoită sau uzată.	Înlocuiți lama de ghidare.
	Lanț de ferăstrău slăbit.	Reglați tensiunea lanțului de ferăstrău.
	Sistem de transmisie anormal.	Solicitați inspecție și întreținere.
Lanțul de ferăstrău nu se oprește ↓ Oprți motorul imediat	rotație mare la ralanti.	Reglați turația de ralanti.
	Problemă cu firul controlului de accelerație.	Solicitați înlocuirea acestuia la un centru de service.
	Sistem de transmisie anormal.	Solicitați inspecție și întreținere.
Motorul nu se oprește ↓ Porniți motorul la ralanti și setați maneta de șoc la ÎNCHIS	Conector detașat de la comutatorul I-O.	Atașați-o corespunzător.
	Sistem electric anormal.	Solicitați inspecție și întreținere.

Când motorul nu pornește după operația de încălzire:

Dacă nu se găsește nicio anomalie la elementele verificate, deschideți accelerația cu aproximativ 1/3 și porniți motorul.

Herzlichen Glückwunsch, dass Sie sich für den Kauf eines Benzin-Hochtasters von MAKITA entschieden haben. Wir freuen uns, Ihnen den Benzin-Hochtaster von MAKITA anbieten zu können; diese Erzeugnisse sind das Ergebnis eines langen Entwicklungsprogramms und vieler Jahre an Erkenntnissen und Erfahrungen.

Bitte lesen Sie diese Broschüre mit detaillierten Informationen zu den verschiedenen Punkten, in denen die herausragende Leistungsfähigkeit dieses Werkzeuges demonstriert wird. So können Sie die bestmöglichen Ergebnisse mit Ihrem Benzin-Hochtaster von MAKITA erzielen.



## Inhaltsverzeichnis

## Seite

Symbole.....	102
Sicherheitshinweise.....	103
Technische Daten.....	109
Bezeichnung der Bauteile.....	110
Montage und Einstellungen.....	111
Vor dem Betrieb.....	114
Wichtige Betriebsschritte und Stoppen des Werkzeugs.....	116
Betrieb.....	118
Wartungsanweisungen.....	118
Aufbewahrung.....	124

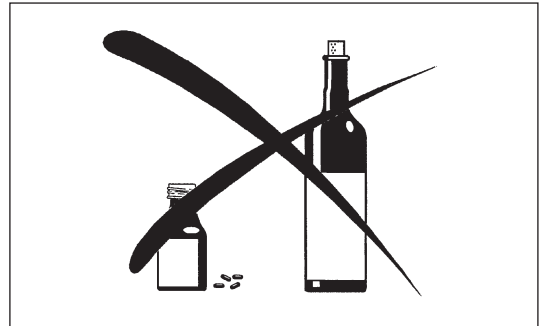
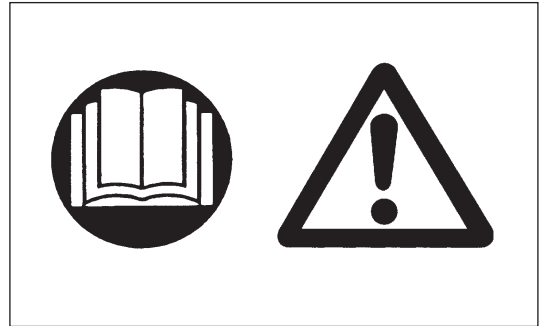
## SYMBOLE

Beim Lesen der Betriebsanleitung werden Ihnen die folgenden Symbole begegnen:

	Lesen Sie die Betriebsanleitung und befolgen Sie die Warnungen und Sicherheitshinweise!		Offene Flamme verboten!
	Besondere Aufmerksamkeit erforderlich!		Sägekettenöl.
	Tragen Sie Schutzhelm, Schutzbrille und Gehörschutz.		Im Arbeitsbereich dürfen sich keine anderen Personen und keine Tiere aufhalten!
	Tragen Sie Schutzhandschuhe!		Kraftstoff (Ottokraftstoff)
	Tragen Sie festes Schuhwerk mit rutschfester Sohle.		Manueller Motorstart
	Halten Sie mit dem Werkzeug einen Abstand von mindestens 15 m zu umstehenden Personen und zu Elektroleitungen (und zu Ästen, die diese Leitungen berühren). Gefahr eines Stromschlags und/oder von Verletzungen.		Erste Hilfe
	Halten Sie den Hochtaster niemals in einem Winkel größer als 60°.		EIN/START
	Kettendrehzahl.		AUS/STOPP
	Verboten!		Not-Aus
	Rauchen verboten!		

**Allgemeine Sicherheitshinweise**

- Der Benutzer muss diese Betriebsanleitung aufmerksam durchlesen, um sich mit dem Umgang des Werkzeugs vertraut zu machen. Nur so ist eine ordnungsgemäße Handhabung des Werkzeugs gegeben. Unzureichend informierte Bediener können durch unsachgemäßen Umgang mit dem Werkzeug sich und andere gefährden.
- Es wird empfohlen, das Werkzeug nur an Personen auszuhändigen, die bereits Erfahrung mit einem solchen Werkzeug haben. Übergeben Sie das Werkzeug immer zusammen mit der Betriebsanleitung.
- Erstanwender sollten sich zuerst vom Händler einweisen lassen, um sich mit dem Umgang mit einem motorgetriebenen Trimmer vertraut zu machen.
- Kindern und Jugendlichen unter 18 Jahren darf die Bedienung des Werkzeuges nicht gestattet werden. Personen über 16 Jahren dürfen das Werkzeug jedoch im Rahmen einer Ausbildung verwenden, sofern sie von einem qualifizierten Ausbilder beaufsichtigt werden.
- Verwenden Sie das Werkzeug mit äußerster Vorsicht und Aufmerksamkeit.
- Bedienen Sie das Werkzeug nur, wenn Sie in guter körperlicher Verfassung sind. Führen Sie alle Arbeiten ruhig und mit Vorsicht aus. Der Anwender haftet für Schäden an Dritten.
- Verwenden Sie das Werkzeug niemals nach dem Genuss von Alkohol oder Drogen oder falls Sie sich müde oder krank fühlen.
- Versuchen Sie niemals, das Werkzeug zu modifizieren.
- Nationale Gesetze schränken die Verwendung des Werkzeuges möglicherweise ein. Halten Sie die in Ihrem Land geltenden Gesetze und Bestimmungen bezüglich des Umgangs mit Hochentastern und Motorsägen ein.

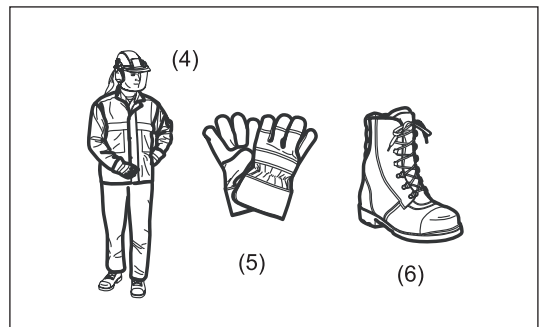
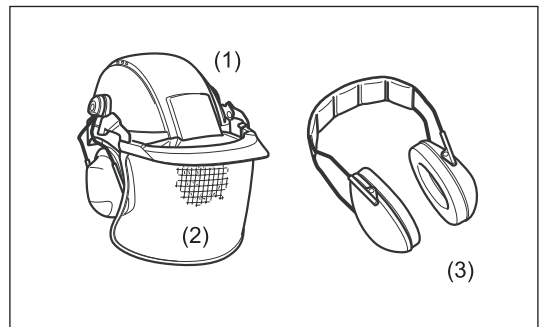


**Verwendungszweck des Geräts**

Dieses Werkzeug ist nur für das Stutzen von Ästen und Zweigen mit einem Durchmesser von weniger als 15 cm vorgesehen. Verwenden Sie dieses Werkzeug niemals für andere Zwecke. Bei zweckfremder Verwendung kann es zu schweren Verletzungen kommen.

**Persönliche Schutzausrüstung**

- Tragen Sie zweckmäßige und geeignete Kleidung, d.h. die Kleidung sollte am Körper anliegen, jedoch ohne zu behindern. Tragen Sie keinen Schmuck und keine Kleidung, der / die sich in Büschen oder Gestrüpp verfangen könnte.
- Um Verletzungen von Gehör, Augen, Händen und Füßen zu vermeiden, aber auch um Ihre Hörleistung zu schützen, ist während des Betriebs des Werkzeugs die folgenden Schutzausrüstungen oder Schutzkleidungen zu tragen.
- Tragen Sie stets einen Helm, wenn die Gefahr herabfallender Gegenstände besteht. Der Schutzhelm (1) muss regelmäßig auf Beschädigungen überprüft und spätestens nach jeweils 5 Jahren durch einen neuen Helm ersetzt werden. Verwenden Sie ausschließlich zugelassene Schutzhelme.
- Das Visier (2) des Helms (oder alternativ eine Schutzbrille) schützt das Gesicht vor herumfliegenden Bruchstücken und Steinen. Tragen Sie während des Betriebs des Werkzeugs eine Schutzbrille oder ein Visier, um Verletzungen der Augen zu vermeiden.
- Tragen Sie einen angemessenen Gehörschutz, um eine Schädigung des Gehörs zu vermeiden (Gehörschutzkapseln (3), Gehörschutzstöpsel usw.).
- Arbeitsanzüge (4) schützen gegen herumfliegende Steine und Fremdkörper. Wir empfehlen sehr, dass Anwender Arbeitsanzüge zu tragen.
- Spezielle Handschuhe (5) aus dickem Leder sind Bestandteil der vorgeschriebenen Ausrüstung und müssen beim Betrieb des beschriebenen Werkzeuges stets getragen werden.
- Tragen Sie bei Betrieb des Werkzeuges stets feste Schuhe (6) mit einer rutschfesten Sohle. Derartige Schuhe schützen vor Verletzungen und geben einen sicheren Halt.
- Tragen Sie beim Umgang mit der Sägekette oder beim Einstellen der Kettenspannung immer Schutzhandschuhe. Die Sägekette kann an ungeschützten Händen schwere Schnittwunden verursachen.





## Sicherheit am Arbeitsplatz



- **⚠ Gefahr:** Halten Sie den Hochentaster mindestens 15 m fern von Elektroleitungen und Kommunikationskabeln (und zu Ästen, die diese Leitungen berühren). Bei Annäherung an oder gar Berührung von Hochspannungsleitungen mit dem Hochentaster kann es zu schweren oder gar tödlichen Verletzungen kommen. Achten Sie vor Beginn der Arbeiten auf Stromversorgungsleitungen und Elektrozäune im Arbeitsbereich.
- Betreiben Sie den Hochentaster nur bei guten Sichtverhältnissen und unter Tageslicht. Betreiben Sie den Hochentaster nicht in der Dunkelheit oder bei Nebel.
- Starten und betreiben Sie den Motor nur im Freien in gut belüfteten Bereichen. Bei Betrieb in geschlossenen Räumen oder unzureichend belüfteten Bereichen bestehen Erstickungsgefahr und die Gefahr einer Kohlenmonoxidvergiftung.
- Führen Sie die Arbeiten niemals auf einer instabilen oder rutschigen Fläche oder an einem Steilhang stehend aus. Achten Sie in der kalten Jahreszeit auf Schnee und Eis, und sorgen Sie immer für einen sicheren Stand.
- Achten Sie darauf, dass umstehende Personen und Tiere einen Abstand von mindestens 15 m zum Hochentaster einhalten. Stoppen Sie den Motor sofort, wenn sich Personen nähern.
- Kontrollieren Sie vor Beginn der Arbeiten den Arbeitsbereich auf das Vorhandensein von Drahtzäunen, Steinen und sonstigen massiven Objekten. Durch derartige Objekte kann die Sägekette beschädigt werden.
- **⚠ WARNUNG:** Bei Gebrauch dieses Produkts kann Staub entstehen, der Chemikalien enthält, die Erkrankungen der Atemwege und andere Erkrankungen verursachen können. Beispiele solcher Chemikalien sind Bestandteile in Pestiziden, Insektiziden, Düngemitteln und Herbiziden. Die Höhe der Gesundheitsgefährdung hängt davon ab, wie oft Sie derartige Arbeiten ausführen. Sorgen Sie für eine gute Belüftung des Arbeitsbereichs und verwenden Sie zugelassene Schutzausrüstungen, beispielsweise solche Staubmasken, die speziell für das Filtern mikroskopischer Partikel vorgesehen sind.

## Inbetriebnahme

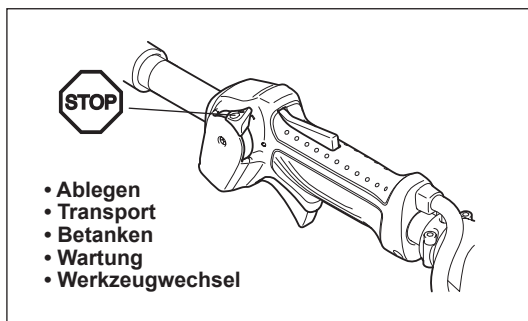
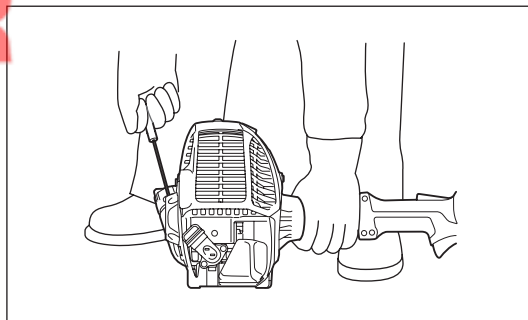
- Schalten Sie stets den Motor aus und ziehen Sie die Zündkerzenstecker, bevor Sie das Werkzeug zusammenbauen oder Einstellungen am Werkzeug vornehmen.
- Überprüfen Sie das Werkzeug auf Beschädigungen, gelockerte Schrauben/Muttern oder unsachgemäßen Zusammenbau, bevor Sie den Motor starten. Achten Sie auf eine ordnungsgemäß geschärfte Sägekette. Tauschen Sie eine verbogene oder beschädigte Kette aus. Überprüfen Sie, ob alle Bedienelemente und Schalter ordnungsgemäß funktionieren. Halten Sie die Griffe sauber und trocken.
- Starten Sie den Motor niemals, wenn das Werkzeug beschädigt oder nicht vollständig zusammengebaut ist. Anderenfalls kann es zu schweren Verletzungen kommen.
- Stellen Sie eine geeignete Kettenspannung ein. Füllen Sie ggf. Kettenöl auf.

## Starten des Motors

- Stellen Sie sicher, dass sich keine anderen Personen, insbesondere Kinder, in unmittelbarer Nähe befinden und achten Sie auf Tiere im Arbeitsbereich.
- Legen Sie vor dem Starten des Motors die persönliche Schutzausrüstung an.
- Prüfen Sie die sichere Befestigung des Aufsatzes, den Steuerungshebel auf einfache Bedienung und überprüfen Sie die ordnungsgemäße Funktionsweise der Arretierung des Entsperrungshebels.
- Wenn sich die Sägekette im Leerlauf bewegt, stoppen Sie den Motor und stellen Sie eine niedrigere Drehzahl ein. Lassen Sie im Zweifelsfall die richtige Einstellung bei einem autorisierten Servicecenter vornehmen. Sorgen Sie dafür, dass die Griffe sauber und trocken sind, und testen Sie die Funktion des Start-/Stoppschalters.

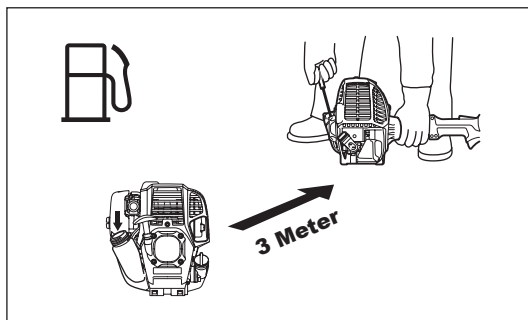
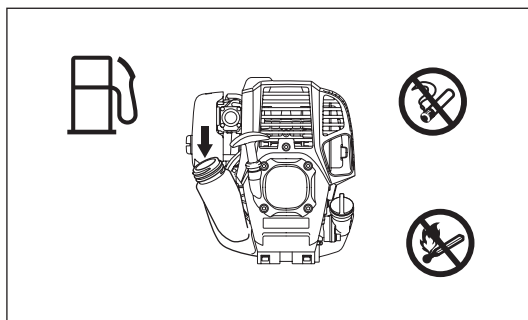
Starten Sie den Motor nur gemäß den Anleitungen.

- Starten Sie den Motor auf keine andere Weise!
- Legen Sie das Werkzeug auf dem Boden ab. Achten Sie auf Ihr Gleichgewicht und auf sicheren Stand.
- Halten Sie das Werkzeug mit der linken Hand fest gegen den Boden, wenn Sie den Startergriff ziehen. Treten Sie niemals auf den Antriebsschaft.
- Stellen Sie vor dem Starten des Motors sicher, dass sich keine Personen oder Tiere im Arbeitsbereich aufhalten.
- Achten Sie beim Motorstart darauf, dass die Sägekette und die Führungsschiene nicht in Berührung mit Ihrem Körper und anderen Objekten oder mit dem Boden kommt. Beim Starten des Motors kann die Sägekette in Bewegung geraten, wodurch es zu schweren Verletzungen und/oder Schäden an der Sägekette und/oder anderen Sachschäden kommen kann.
- Schalten Sie bei Auftreten von Problemen mit dem Motor den Motor sofort aus.
- Sollte die Sägekette Steine oder andere harte Gegenstände treffen, schalten Sie sofort den Motor aus und überprüfen Sie das Werkzeug.
- Betreiben Sie das Gerät nur mit angefügtem Schultergurt, der vor der Inbetriebnahme an den Benutzer angepasst werden muss. Wichtig ist, dass der Schultergurt auf die Körperhöhe des Benutzers eingestellt wird, um ein Ermüden während der Verwendung zu verhindern. Halten Sie den Trimmer während des Betriebs niemals mit nur einer Hand.
- Lassen Sie den Motor im Leerlauf laufen und legen Sie sich den Schultergurt um. Belassen Sie das Werkzeug mit sicherem Griff an Ihrer rechten Seite.
- Während des Betriebs müssen alle mit der Maschine gelieferten Schutzvorrichtungen und Abdeckungen verwendet werden.
- Betreiben Sie den Motor niemals mit beschädigtem Auspuffschalldämpfer.
- Lassen Sie das Werkzeug nur in einem Notfall zu Boden fallen, da dadurch das Werkzeug beschädigt werden kann.



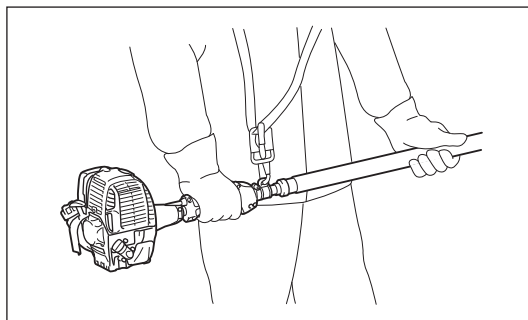
## Betanken

- Schalten Sie den Motor aus, halten Sie den Motor von offenen Flammen fern, und rauchen Sie während des Auftankens nicht.
- Vermeiden Sie Hautkontakt mit Mineralölprodukten. Atmen Sie die Kraftstoffdämpfe nicht ein. Tragen Sie zum Betanken immer Schutzhandschuhe. Wechseln und reinigen Sie Schutzkleidung regelmäßig.
- Stellen Sie zur Vermeidung einer Kontaminierung des Erdbodens (Umweltschutz) sicher, dass kein Kraftstoff und kein Öl in das Erdreich eindringt. Wischen Sie verschütteten Kraftstoff unverzüglich vom Werkzeug ab.
- Vermeiden Sie, dass Kraftstoff in Kontakt mit Ihrer Kleidung kommt. Falls Ihre Kleidung in Kontakt mit Kraftstoff gekommen ist, wechseln Sie die Kleidung sofort (Brandgefahr!).
- Überprüfen Sie den Tankdeckel regelmäßig auf ordnungsgemäßen Sitz und auf Dichtheit.
- Schrauben Sie den Kraftstoff-Tankdeckel ordnungsgemäß fest. Entfernen Sie sich mindestens 3 m vom Ort des Auftankens, bevor Sie den Motor starten.
- Führen Sie die Betankung niemals in geschlossenen Räumen durch. Auf dem Fußboden kann es zu einer Ansammlung von Kraftstoffdämpfen und dadurch zu einer Verpuffung oder gar Explosion kommen.
- Transportieren und lagern Sie Kraftstoff ausschließlich in dafür zugelassenen Behältern. Stellen Sie sicher, dass Kinder keinen Zugang zu gelagertem Kraftstoff haben.



## Handhabung

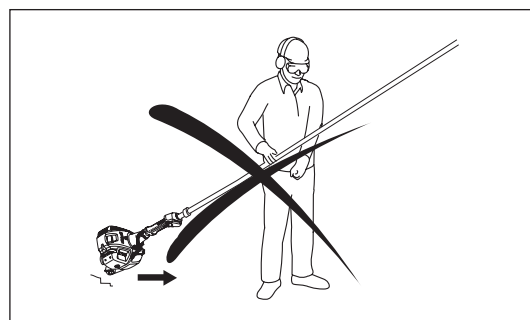
- Schalten Sie bei einem Notfall sofort den Motor aus.
- Schalten Sie den Motor aus, wenn Sie während des Betriebs etwas Ungewöhnliches (z. B. ungewöhnliche Geräusche, Vibrationen) bemerken. Verwenden Sie das Werkzeug erst dann wieder, nachdem die Ursache gefunden und behoben wurde.
- Die Sägekette bewegt sich nach dem Loslassen des Gashebels noch für eine kurze Zeit weiter. Berühren Sie die Sägekette erst nach vollständigem Stillstand.
- Erfassen Sie, auch wenn Sie Linkshänder sind, den vorderen Griff mit der linken Hand und den hinteren Griff mit der rechten Hand. Legen Sie Finger und Daumen fest um die Griffe.
- Versuchen Sie niemals, das Werkzeug mit nur einer Hand zu bedienen. Dadurch kann es zum Verlust der Kontrolle und zu schweren oder gar tödlichen Verletzungen kommen. Halten Sie Hände und Füße von der Sägekette fern, um die Gefahr von Verletzungen zu vermeiden.
- Überdehnen Sie Ihren Standbereich nicht. Achten Sie jederzeit auf sicheren Stand und sicheres Gleichgewicht.
- Achten Sie auf verborgene Hindernisse wie Baumstümpfe, Wurzeln und Kanäle, damit Sie nicht stolpern oder gar stürzen. Räumen Sie herabgefallene Äste und andere Objekte weg.
- Wenn das Werkzeug einem starken Stoß ausgesetzt wurde oder heruntergefallen ist, überprüfen Sie den Zustand des Werkzeugs, bevor Sie die Arbeiten fortsetzen. Überprüfen Sie das Kraftstoffsystem auf Leckagen und die Bedienelemente und Sicherheitseinrichtungen auf Fehlfunktionen. Wenn Sie einen Schaden bemerken oder sich nicht sicher sind, wenden Sie sich zur Inspektion und Reparatur an ein autorisiertes Makita-Servicecenter.
- Berühren Sie nicht das Getriebegehäuse. Bei Betrieb erhitzt sich das Getriebegehäuse.
- Schalten Sie immer den Motor aus, wenn Sie das Werkzeug, auch nur kurzzeitig, unbeaufsichtigt lassen. Wenn ein unbeaufsichtigtes Werkzeug mit laufendem Motor von einer unbefugten Person ergriffen wird, kann es zu schweren Unfällen kommen.



- Achten Sie auf die Umwelt. Vermeiden Sie ein unnötiges Betätigen des Gashebels, damit Umweltbelastung und Geräuschentwicklung so gering wie möglich gehalten werden. Achten Sie auf eine korrekte Vergasereinstellung.
- Legen Sie das erhitzte Werkzeug während oder nach den Arbeiten nicht auf trockenem Gras oder brennbaren Materialien ab.
- Halten Sie Ihre rechte Hand bis maximal Schulterhöhe.
- Achten Sie während der Arbeiten darauf, dass die Sägekette nicht auf harte Gegenstände wie z. B. Steine oder Nägel trifft. Seien Sie besonders vorsichtig, wenn Sie Äste in der Nähe von Mauern, Drahtzäunen o. ä. sägen.
- Falls Äste in der Sägekette steckenbleiben, halten Sie den Motor immer an und entfernen Sie den Zündkerzenstecker. Andernfalls kann ein unbeabsichtigter Start schwere Verletzungen verursachen.
- Wird die Sägekette blockiert, halten Sie den Motor immer an und entfernen Sie vor dem Reinigen den Zündkerzenstecker.
- Durch ein Erhöhen der Motordrehzahl bei blockierter Sägekette erhöht sich die Last, und der Motor und/oder die Kupplung können beschädigt werden.
- Halten Sie sich vor dem Sägen dicker Äste einen Fluchtweg vom herabfallenden Ast weg offen. Entfernen Sie zuerst Hindernisse wie z. B. Äste und Zweige aus dem Arbeitsbereich. Bringen Sie sämtliches Werkzeug und alle übrigen Ausrüstungsgegenstände aus dem Fluchtweg an einen anderen sicheren Ort.
- Bedenken Sie vor dem Schneiden von dickeren Ästen die Fallrichtung dieser Äste und den Zustand von Ästen und Zweigen, benachbarter Bäume, Windrichtung usw. Achten Sie ganz besonders auf die Fallrichtung und den Aufprallbereich der Äste.
- Halten Sie den Hochentaster niemals in einem Winkel größer als 60°. Anderenfalls kann der Bediener von herabfallenden Objekten getroffen und schwer verletzt werden. Wählen Sie niemals einen Standort unter dem abzuschneidenden Ast.
- Achten Sie auf gebrochene oder gebogene Äste. Solche Äste können beim Sägen unerwartet zurückschlagen und Verletzungen verursachen.
- Entfernen Sie Zweige und Laub von zu schneidenden Ästen, bevor Sie den Schnitt ansetzen. Anderenfalls kann sich die Säge in diesen Ästen und Blättern verfangen.
- Geben Sie den Gashebel erst frei, nachdem Sie die Säge aus der Schnittfuge gezogen haben, damit die Säge nicht in der Schnittfuge verklemmt.
- Wenn die Sägekette in der Schnittfuge klemmt, schalten Sie sofort den Motor aus, und biegen Sie den Ast vorsichtig so, dass sich die Fuge öffnet und die Säge freigibt.
- Vermeiden Sie ein Rückschlagen (Gegenkraft in Richtung Bediener mit Tendenz zur Drehbewegung). Sägen Sie niemals mit der Spitze der Führungsschiene oder im „Eintauchschnitt“, um das Auftreten eines Zurückschlagens zu vermeiden. Achten Sie stets auf die Position der Spitze der Führungsschiene.
- Überprüfen Sie die Kettenspannung regelmäßig. Schalten Sie stets den Motor aus und ziehen Sie die Zündkerzenstecker ab, wenn Sie die Kettenspannung überprüfen oder einstellen. Wenn die Sägekette nicht ausreichend gespannt ist, spannen Sie die Kette nach.
- Betreiben Sie das Werkzeug mit möglichst geringer Geräusch- und Abgasentwicklung, und verursachen Sie möglichst keine Verschmutzungen der Umwelt. Stellen Sie vor allem sicher, dass der Vergaser richtig eingestellt ist.
- Betreiben Sie das Werkzeug niemals, wenn Sie auf einer Leiter stehen.
- Klettern Sie niemals auf Bäume, um mit dem Werkzeug zu sägen.
- Warten Sie vor dem Sägen ab, bis die Kette ihre volle Arbeitsdrehzahl erreicht hat.
- Legen Sie regelmäßig Pausen ein, damit es nicht zu einem Kontrollverlust aufgrund von Ermüdungserscheinungen kommt. Wir empfehlen, jede Stunde eine Pause von 10 bis 20 Minuten einzulegen.

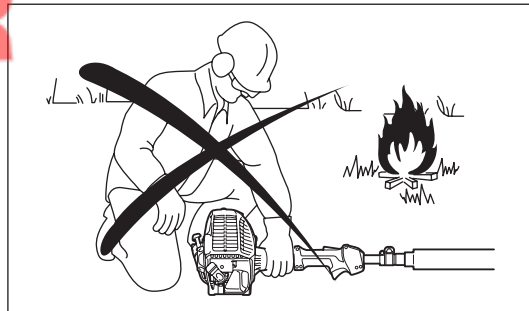
## Transport

- Schalten Sie stets den Motor aus und ziehen Sie den Zündkerzenstecker, bevor Sie das Werkzeug transportieren.
- Setzen Sie vor einem Transport immer die Führungsschienenabdeckung auf.
- Verwenden Sie immer die mit dem Werkzeug mitgelieferten Schutzvorrichtungen.
- Tragen Sie das Werkzeug in waagerechter Position, indem Sie es am Schaft greifen. Halten Sie den heißen Auspuffschalldämpfer von Ihrem Körper fern.
- Sichern Sie das Werkzeug bei Transport in einem Fahrzeug ordnungsgemäß, damit es nicht umkippen kann. Anderenfalls kann Kraftstoff auslaufen, und es kann zu Beschädigungen am Werkzeug und an anderen Gepäckstücken kommen.
- Schalten Sie vor einem Transport den Motor aus.
- Sorgen Sie dafür, dass der Kraftstofftank des Werkzeugs vollständig leer ist.
- Setzen Sie beim Abladen des Werkzeuges von einem LKW den Motor niemals hart auf den Boden auf; anderenfalls kann der Kraftstofftank beschädigt werden.
- Heben Sie beim Bewegen immer das gesamte Werkzeug vom Boden an. Das Ziehen des Werkzeugs am Kraftstofftank ist äußerst gefährlich und kann zu Beschädigung des Tanks oder Auslaufen von Kraftstoff führen und ggf. einen Brand verursachen.



## Wartungsanweisungen

- Lassen Sie Ihr Werkzeug durch unser autorisiertes Servicecenter warten. Verwenden Sie stets nur originale Ersatzteile. Unsachgemäße Reparatur- und Wartungsarbeiten können die Lebenszeit des Werkzeugs verkürzen und das Unfallrisiko erhöhen.
- Schalten Sie stets den Motor aus und ziehen Sie den Zündkerzenstecker, bevor Sie Wartungs-, Reparatur- oder Reinigungsarbeiten am Werkzeug vornehmen. Warten Sie, bis sich der Motor abgekühlt hat.
- Führen Sie Arbeiten am Werkzeug niemals in der Nähe von offenen Flammen aus. Brandgefahr.
- Tragen Sie beim Umgang mit der Sägekette immer Schutzhandschuhe.
- Reinigen Sie das Werkzeug immer von Staub und Schmutz. Verwenden Sie zum Reinigen niemals Kraftstoffe, Benzin, Verdünnern, Alkohol oder ähnliches. Dies kann zu Verfärbungen, Verformungen oder Rissen an den Kunststoffkomponenten führen.
- Ziehen Sie nach jedem Gebrauch alle Schrauben und Muttern nach, mit Ausnahme der Einstellschrauben.
- Halten Sie die Sägekette scharf. Wenn die Sägekette stumpf geworden ist und keine ausreichende Sägeleistung mehr erbringt, lassen Sie die Kette in Ihrem autorisierten Makita Servicecenter schärfen, oder tauschen Sie die Kette gegen eine neue Kette aus.
- Nehmen Sie keine Wartungs- und Reparaturarbeiten vor, die nicht in dieser Bedienungsanleitung erläutert sind. Wenden Sie sich zwecks Ausführen derartiger Arbeiten an Ihr autorisiertes Makita Servicecenter.
- Reinigen Sie das Werkzeug regelmäßig und überprüfen Sie, ob alle Schrauben und Muttern fest angezogen sind.
- Lagern Sie das Werkzeug in einem verschlossenen Raum und nur mit geleertem Kraftstofftank.



## Lagerung

- Führen Sie vor der Lagerung des Werkzeugs eine vollständige Reinigung und Wartung durch. Bringen Sie die Führungsschienenabdeckung auf. Entfernen Sie den Zündkerzenstecker. Warten Sie, bis sich der Motor abgekühlt hat, und lassen Sie dann den Kraftstoff und das Kettenöl ab.
- Lagern Sie das Werkzeug an einem Ort, der hoch genug oder verschließbar ist, damit Kinder nicht an das Werkzeug gelangen können.
- Lehnen Sie das Werkzeug niemals gegen etwas, beispielsweise gegen eine Wand. Anderenfalls könnte das Werkzeug plötzlich umfallen und Verletzungen verursachen.

Beachten Sie die geltenden Bestimmungen zur Verhinderung von Unfällen, die von den zuständigen Berufsverbänden und von Versicherungsunternehmen herausgebracht werden.

Nehmen Sie keinerlei technische Veränderungen am Werkzeug vor, da dies Ihre Sicherheit gefährden würde.

Der Bediener darf nur die in der Betriebsanleitung beschriebenen Wartungs- und Reparaturarbeiten durchführen. Alle anderen Arbeiten müssen von einem autorisierten Servicecenter durchgeführt werden. Verwenden Sie ausschließlich originale Ersatz- und Zubehörteile, die von MAKITA freigegeben und geliefert wurden.

Die Verwendung nicht freigegebener Zubehörteile und Werkzeuge stellt eine erhöhte Unfallgefahr dar.

MAKITA übernimmt keine Haftung für Unfälle oder Schäden, die durch die Verwendung nicht genehmigter Aufsätze und Befestigungen der Aufsätze und Zubehörteile verursacht werden.

## Erste Hilfe

Stellen Sie für den Fall eines Unfalls sicher, dass ein Erste-Hilfe-Kasten in der Nähe des Sägebetriebs verfügbar ist. Ersetzen Sie aus dem Erste-Hilfe-Kasten entnommene Materialien sofort.

## Machen Sie folgende Angaben, wenn Sie Hilfe anfordern:

- Ort des Unfalls
- Was ist passiert
- Anzahl der verletzten Personen
- Art der Verletzungen
- Ihr Name



## Vibration

- Wenn sich Personen mit Durchblutungsstörungen zu starken mechanischen Schwingungen aussetzen, kann es zu Schädigungen von Blutgefäßen und/oder des Nervensystems kommen. Folgende Symptome können durch Vibrationen an Fingern, Händen oder Handgelenken auftreten: „Einschlafen“ von Körperteilen (Taubheit), Kribbeln, Schmerz, Stechen, Veränderung von Hautfarbe oder Haut. Falls eines dieser Symptome auftritt, suchen Sie einen Arzt auf!
- Um das Risiko der „Weißfingerkrankheit“ zu verringern, halten Sie Ihre Hände während des Arbeitens warm und warten und pflegen Sie Maschine und Zubehörteile gut.



---

## EG-KONFORMITÄTSERKLÄRUNG

**Wir, Makita Corporation als verantwortlicher Hersteller, erklären, dass die folgenden Geräte der Marke Makita:**

Bezeichnung des Geräts/der Geräte: Benzin-Hochtaster

Nummer/Typ des Modells: EY2650H

Technische Daten: siehe unter „TECHNISCHE DATEN“

in Serienfertigung hergestellt werden und

**den folgenden Richtlinien der Europäischen Union genügen:**

2006/42/EG

Außerdem werden die Maschinen gemäß den folgenden Standards oder Normen gefertigt:

EN/ISO11680

Die technische Dokumentation erfolgt durch:

Makita International Europe Ltd., Technical Department,

Michigan Drive, Tongwell, Milton Keynes, Bucks MK15 8JD, England

Die Nummer der EG-Baumusterprüfbescheinigung als Hochtaster lautet:

4813008.13001

Die EG-Baumusterprüfung nach 2006/42/EG wurde durchgeführt von:

DEKRA Testing and Certification GmbH Enderstraße 92b 01277 Dresden, Germany

Kennnummer der benannten Stelle: 2140

31. 10. 2013

Tomoyasu Kato

Direktor

Makita Corporation

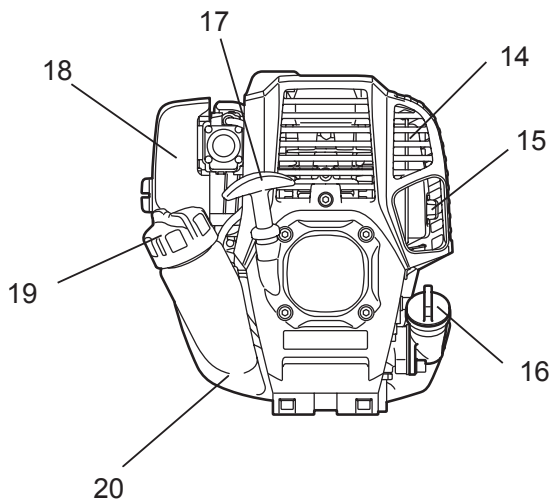
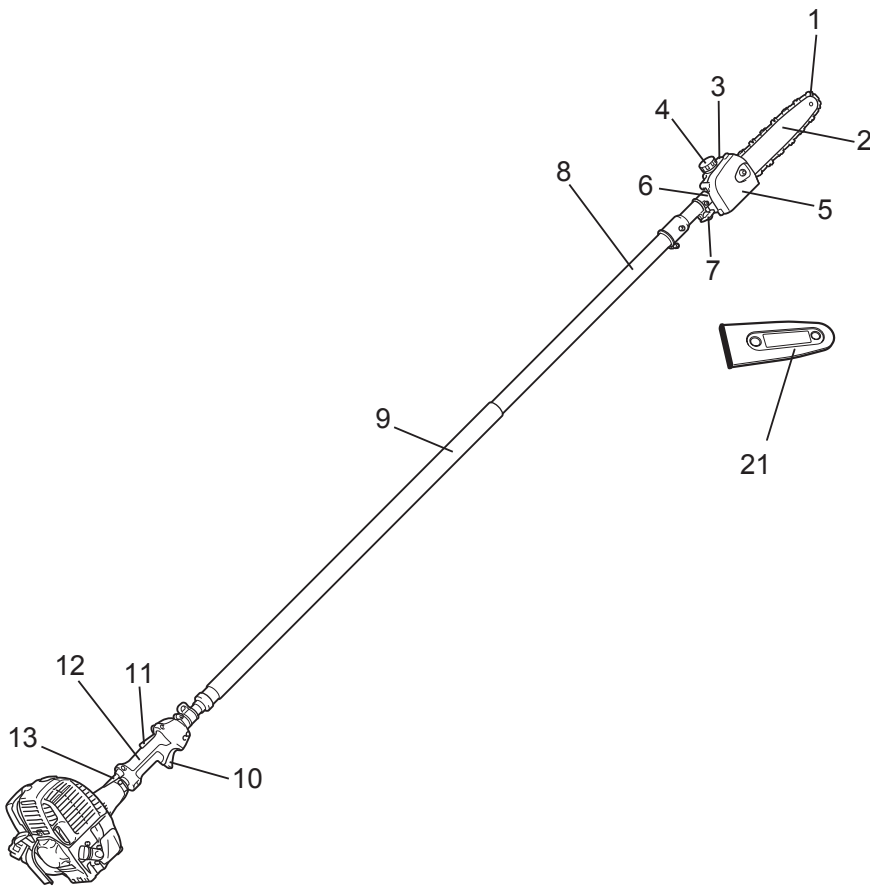
3-11-8, Sumiyoshi-cho,

Anjo, Aichi, 446-8502, JAPAN

Modell		EY2650H		
Abmessungen: L x B x H	mm	2.720-3.920 x 223 x 240		
Gewicht	kg	7,2		
Volumen Kraftstofftank	cm <sup>3</sup>	600		
Volumen Kettenöltank	cm <sup>3</sup>	120		
Motor-Hubraum	cm <sup>3</sup>	25,4		
Max. Kettendrehzahl	m/s	21,0		
Maximale Motorleistung		0,77 kW bei 7.000 min <sup>-1</sup>		
Motordrehzahl bei empfohlener max. Wellendrehzahl	min <sup>-1</sup>	10.000		
Leerlaufdrehzahl	min <sup>-1</sup>	3.000		
Drehzahl Kupplungseingriff	min <sup>-1</sup>	4.400		
Vergaser		Art des Diaphragma		
Zündkerze	Typ	NGK CMR4A		
Elektrodenabstand	mm	0,7 - 0,8		
Kraftstoff		Kfz-Ottokraftstoff (Benzin)		
Motoröl		Öl nach API-Klassifikation SF oder höher, oder SAE 10W-30 (Motoröl für Auto-Viertaktmotor)		
Schnittlänge	mm	255		
Länge Führungsschiene	mm (Zoll)	255 (10")		
Sägekette		91VXL-39E		
Kettenteilung	Zoll	3/8"		
Maß Kettenbreite	mm (Zoll)	1,3 (0,05")		
Anzahl Zähne Kettenrad		7		
Sägekettenöl		Original-Kettenöl von Makita		
Kettenölpumpe		Kolbenpumpe (selbstschmierend)		
Schwingungen nach ISO 22867	Rechter Handgriff (hinterer Griff)	a <sub>hv eq</sub> (Schaft in kürzester Position)	m/s <sup>2</sup>	5,3
		a <sub>hv eq</sub> (Schaft in längster Position)	m/s <sup>2</sup>	6,1
		Abweichung K	m/s <sup>2</sup>	2,0
	Linker Handgriff (vorderer Griff)	a <sub>hv eq</sub> (Schaft in kürzester Position)	m/s <sup>2</sup>	7,2
		a <sub>hv eq</sub> (Schaft in längster Position)	m/s <sup>2</sup>	8,6
		Abweichung K	m/s <sup>2</sup>	2,0
Durchschnittlicher Schalldruckpegel nach ISO 22868	L <sub>PA eq</sub>	dBA	89,5	
	Abweichung K	dBA	2,5	
Durchschnittlicher Schalleistungspegel nach ISO 22868	L <sub>WA eq</sub>	dBA	107,3	
	Abweichung K	dBA	2,5	

- Aufgrund unserer beständigen Forschungen und Weiterentwicklungen sind Änderungen an den hier angegebenen Technischen Daten ohne Vorankündigung vorbehalten.
- Die Technischen Daten können in den einzelnen Ländern voneinander abweichen.

EY2650H



D	BEZEICHNUNG DER BAUTEILE
1	Sägekette
2	Führungsschiene
3	Öltank
4	Öltankdeckel
5	Schienenhalter
6	Getriebegehäuse
7	Knauf
8	Teleskopschaft
9	Vorderer Griff
10	Gashebel
11	Entsperrungshebel
12	Hinterer Griff
13	Gaszug
14	Auspuffschalldämpfer
15	Abgasleitung
16	Öldeckel
17	Startergriff
18	Luftfilter
19	Kraftstoff-Tankdeckel
20	Kraftstofftank
21	Führungsschienenabdeckung



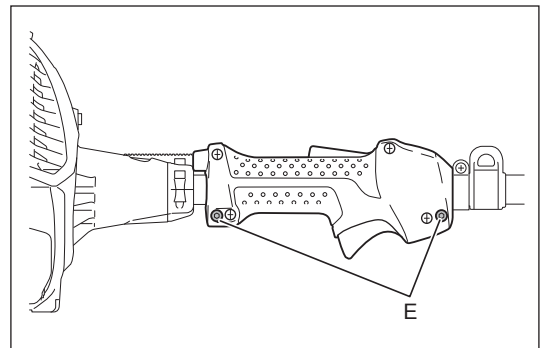
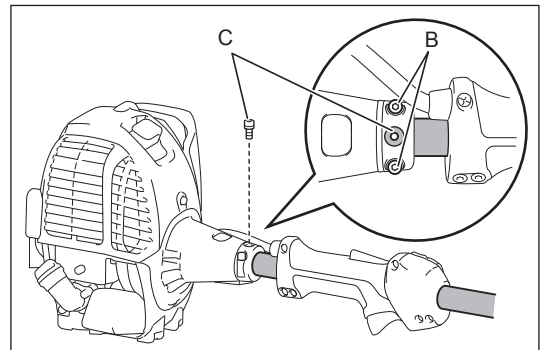
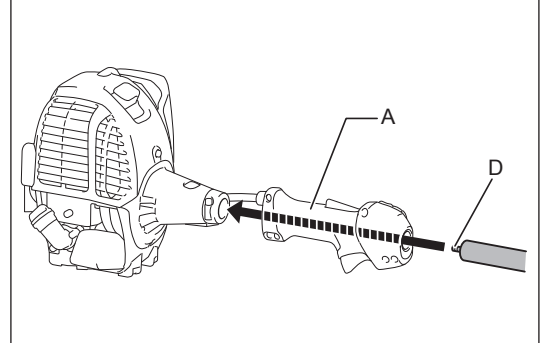
**WARNUNG:**

- Schalten Sie stets den Motor aus und ziehen Sie die Zündkerzenstecker, bevor Sie das Werkzeug zusammenbauen, überprüfen oder Einstellungen am Werkzeug vornehmen.
- Tragen Sie beim Umgang mit der Sägekette immer Schutzhandschuhe.
- Warten Sie, bis sich die Sägekette abgekühlt hat, bevor sie sie zusammenbauen, überprüfen oder Einstellungen daran vornehmen. Die Sägekette wird während des Betriebs sehr heiß und kann Verbrennungen verursachen.

**Montage von Schaft und Kupplungsgehäuse**

Montieren Sie den Schaft folgendermaßen an den hinteren Griff und an den Motorblock:

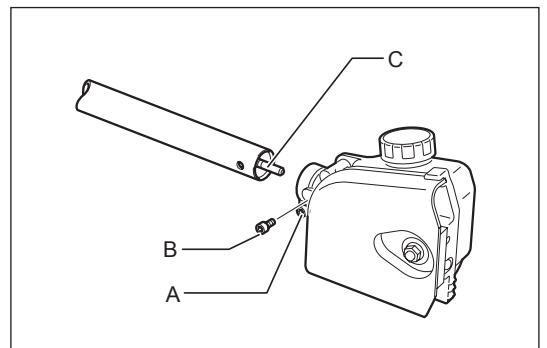
1. Führen Sie den Schaft durch den hinteren Griff **(A)**.
2. Lösen Sie die beiden Befestigungsschrauben **(B)** und entfernen Sie die Mittelschraube **(C)** am Kupplungsgehäuse.
3. Setzen Sie den Schaft in das Kupplungsgehäuse ein. Falls er sich nur schwer vollständig einsetzen lässt, drehen Sie die Kerbverzahnung **(D)** ein wenig.
4. Richten Sie die Öffnung im Schaft mit der Öffnung der Mittelschraube aus.
5. Ziehen Sie die Mittelschraube fest.
6. Ziehen Sie die beiden Befestigungsschrauben gleichmäßig an.
7. Stellen Sie die Position des hinteren Griffes ein und ziehen Sie in dann mit den beiden Schrauben **(E)** fest.



**Montage von Schaft und Getriebegehäuse**

Montieren Sie den Schaft folgendermaßen am Getriebegehäuse:

1. Lösen Sie die Schraube **(A)**. Lösen Sie außerdem die Schraube **(B)**.
2. Setzen Sie den Schaft in das Getriebegehäuse ein. Falls er sich nur schwer vollständig einsetzen lässt, drehen Sie die Kerbverzahnung **(C)** ein wenig.
3. Richten Sie die Schaftöffnung mit der Schraubenöffnung **(B)** aus.
4. Ziehen Sie zuerst die Schraube **(B)** an und ziehen Sie dann die Schraube **(A)** an.

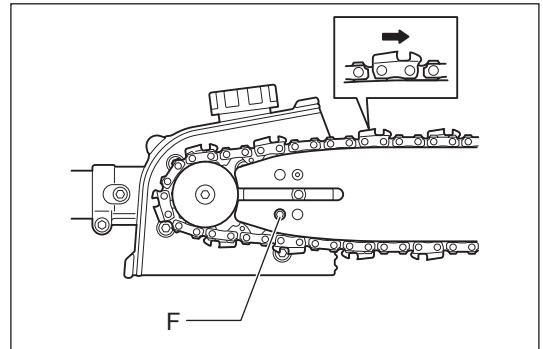
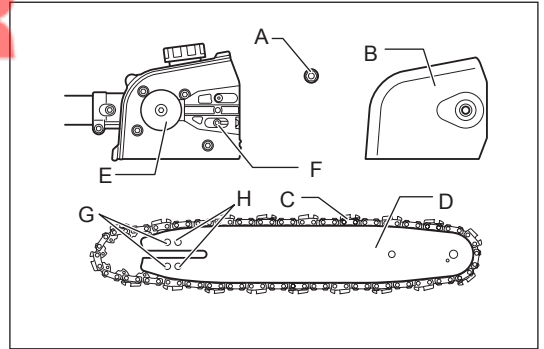


## Anbringen von Sägekette und Führungsschiene

**ACHTUNG:** Stellen Sie sicher, dass Sägekette, Führungsschiene und Kettenrad in Breitemaß und Teilung zueinanderpassen.

Führen Sie die folgenden Schritte aus, um Sägekette und Führungsschiene zu befestigen:

1. Lösen Sie die Schraubenmutter (A) und entfernen Sie den Schienenhalter (B).
2. Legen Sie die Sägekette (C) in die Nut der Führungsschiene (D) ein. Beginnen Sie an der Spitze der Schiene.
3. Legen Sie die Sägekette (C) um das Kettenrad (E).
4. Montieren Sie die Führungsschiene (D) so, dass die Spannmutter (F) in die Öffnung (G) auf der Führungsschiene passt. Die Öffnungen (H) werden nicht verwendet.
5. Montieren Sie den Schienenhalter (B) und ziehen Sie die Schraubenmutter (A) fest an. Lösen Sie anschließend die Schraubenmutter wieder um eine halbe Drehung, damit die Kette ordnungsgemäß gespannt werden kann.
6. Stellen Sie die Kettenspannung ein. Informieren Sie sich in Abschnitt: „Einstellen der Kettenspannung“.



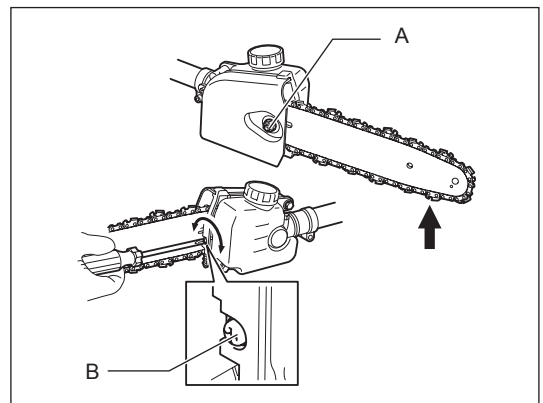
## Einstellen der Kettenspannung

**ACHTUNG:**

- Halten Sie die geeignete Kettenspannung ein. Eine zu lockere Kette kann während des Betriebs von der Führungsschiene springen. Bei einer zu straff gespannten Kette kann es zu Beschädigungen an der Sägekette und an der Führungsschiene kommen.
- Überprüfen Sie die Kettenspannung während des Betriebs regelmäßig. Während des Betriebs dehnt sich die Sägekette und wird locker. Stellen Sie bei einer neuen Sägekette die Kettenspannung öfters nach.

Führen Sie die folgenden Schritte aus, um die Kettenspannung einzustellen:

1. Lösen Sie die Schraubenmutter (A) durch eine halbe Umdrehung.
2. Halten Sie die Schiene mit der Spitze nach oben. Drehen Sie die Spannschraube (B) im Uhrzeigersinn, bis die Sägekette eng an der Unterseite der Führungsschiene anliegt.
3. Fassen Sie die Sägekette in der Mitte der Führungsschiene an und heben Sie sie an. Die Lücke zwischen der Führungsschiene und dem Spanngurt der Sägekette sollte etwa 3 - 4 mm betragen. Ist dies nicht der Fall, drehen Sie die Spannschraube etwas gegen den Uhrzeigersinn und wiederholen Sie Schritt 2.
4. Ziehen Sie die Schraubenmutter (A) fest an.
5. Ziehen Sie die Spannschraube ggf. ein wenig an, um ein Herabfallen zu verhindern.



## Auffüllen des Kettenöltanks

Während der Sägearbeiten muss die Sägekette mit Kettenöl geschmiert werden.

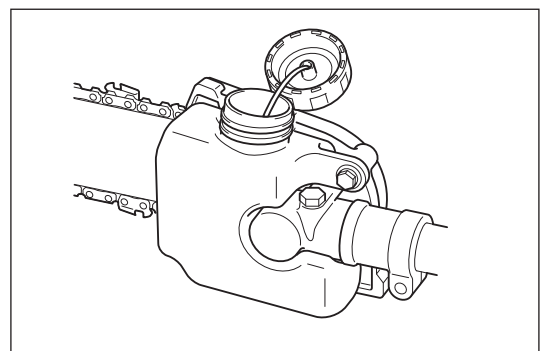
Füllen Sie vor Arbeitsbeginn den Kettenöltank. Ziehen Sie den Öltankdeckel nach dem Auffüllen ordnungsgemäß fest.

Verwenden Sie ausschließlich Original-Kettenöl von Makita.

**HINWEIS:**

- Verwenden Sie niemals Altöl. Durch Altöl kann die Ölpumpe beschädigt werden.
- Vermeiden Sie es, Kettenöl in einer staubigen Umgebung aufzufüllen. Staub und andere Fremdstoffe können das Ölleitungssystem beschädigen.

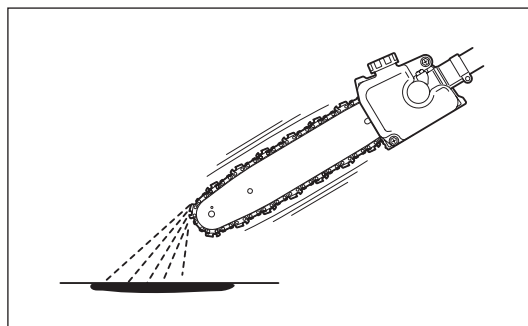
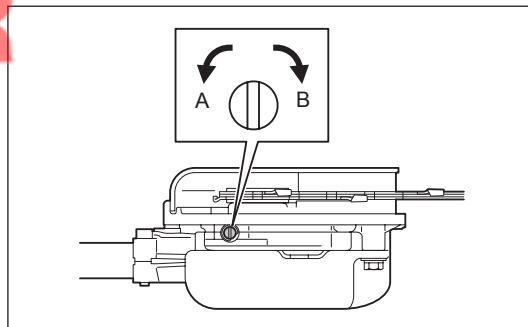
Achten Sie während des Betriebs stets auf den Ölstand. Füllen Sie bei niedrigem Ölstand den Öltank rechtzeitig nach. Der Tank ist nach ca. 40 Minuten Betrieb leer (von der Einstellung der Kettenschmierung abhängig).



### Einstellen der Kettenölaufuhr

Die Kettenölaufuhr kann in drei Stufen eingestellt werden. Stellen Sie die Zufuhrmenge entsprechend der auszuführenden Arbeiten ein, z. B. für das Sägen von Hartholz.

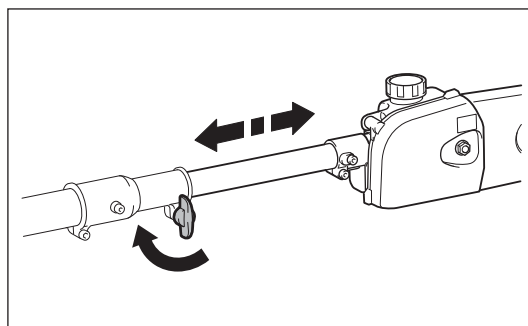
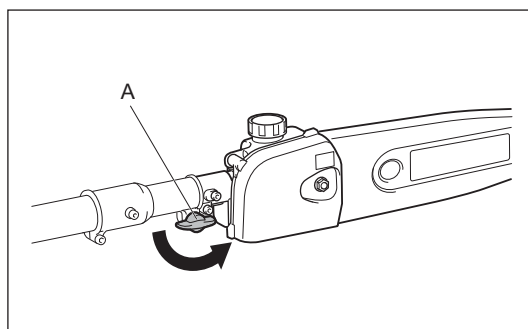
Stellen Sie die Zufuhrmenge an Kettenöl mit Hilfe eines Flachsraubendrehers ein. Drücken Sie auf die Einstellschraube und drehen Sie diese. Drehen Sie die Einstellschraube zum Erhöhen der Zufuhrmenge entgegen dem Uhrzeigersinn (A). Drehen Sie sie im Uhrzeigersinn (B), um die Zufuhrmenge zu verringern. Betreiben Sie nach dem Einstellen der Zufuhrmenge das Werkzeug mit mittlerer Geschwindigkeit, um die Zufuhrmenge zu überprüfen.



### Einstellen der Länge des Hochentasters

Stellen Sie die Länge des Hochentasters folgendermaßen ein:

1. Drehen Sie den Knauf (A) entgegen dem Uhrzeigersinn.
2. Stellen Sie die Länge des Hochentasters ein.
3. Drehen Sie den Knauf im Uhrzeigersinn, um den Aufsatz zu befestigen.



### Schultergurt

#### Anpassen des Schultergurts

Stellen Sie den Gurt auf eine für die Arbeiten geeignete Länge ein.

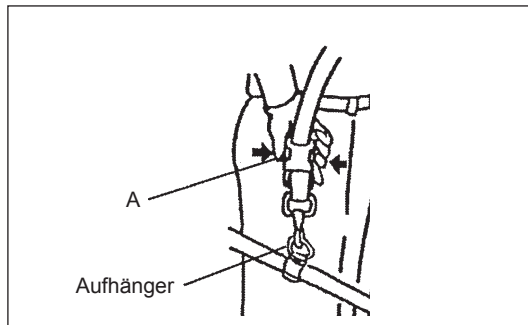
#### Abtrennung

Drücken Sie im Notfall die Einrastungen (A) an beiden Seiten und trennen Sie das Werkzeug.

Gehen Sie äußerst vorsichtig vor, damit Sie jederzeit die Kontrolle über das Werkzeug behalten. Lassen Sie nicht zu, dass das Werkzeug in Ihre Richtung oder in Richtung anderer Personen in Ihrer Nähe abprallt.

**WARNUNG:** Andernfalls können Sie die Kontrolle über das Werkzeug verlieren und schwere oder TÖDLICHE Verletzungen verursachen.

Hinweis: In einigen Ländern hat der Schultergurt diese Abtrennfunktion nicht.



**Überprüfen und Nachfüllen von Motoröl**

- Gehen Sie dazu, bei abgekühltem Motor, wie folgt vor.
- Legen Sie den Motor waagrecht ab, entfernen Sie den Öldeckel (Abb. 1) und prüfen Sie, ob Sie Öl im Bereich zwischen den oberen und unteren Grenzmarkierungen der Ölleitung sehen (Abb. 2).
- Füllen Sie Öl bis zur oberen Grenzmarkierung auf, falls nicht ausreichend Öl vorhanden ist (Ölstand nahe der unteren Grenzmarkierung) (Abb. 3).
- Der Bereich um die Markierungen außen ist transparent, so dass Sie den Ölstand im Inneren prüfen können, ohne den Öldeckel abzunehmen. Wenn die Ölleitung jedoch stark verschmutzt ist, kann die Transparenz verloren gehen, und der Ölstand muss am gestuften Bereich im Inneren der Ölleitung geprüft werden.
- Als Richtgröße sollten 10 Stunden für die Zeit für das Nachfüllen von Öl angenommen werden (d. h. nach ca. 10 Auftankungen). Falls das Öl seine Farbe geändert oder sich mit Schmutz vermischt hat, ersetzen Sie es durch neues Öl. (Weitere Informationen zum Intervall und der Methode des Ölwechsels finden Sie auf Seite 119.)

**Empfohlenes Öl:** Öl der API-Klassifikation SAE 10W-30, Klasse SF oder höher (Viertaktmotor für Kfz)  
**Ölmenge:** ca. 0,08L

Hinweis: Wird der Motor nicht aufrecht gehalten, kann es passieren, dass das Öl den Motor nicht erreicht und zu viel Öl nachgefüllt wird. Falls der Ölstand die obere Grenzmarkierung übersteigt, könnte das Öl verunreinigt werden oder mit weißem Rauch in Brand geraten.

**Punkt 1 beim Ölwechsel: „Öldeckel“**

- Entfernen Sie Staub und Schmutz um den Öleinfüllstutzen, und nehmen Sie den Öldeckel ab.
- Halten Sie den abgenommenen Öldeckel frei von Sand und Staub. Andernfalls kann am Öldeckel anheftender Sand oder Staub eine abnormale Ölzirkulation oder einen Verschleiß der Motorteile und dadurch Probleme verursachen.

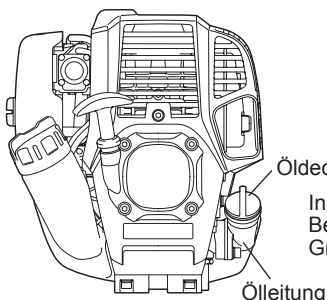


Abb. 1

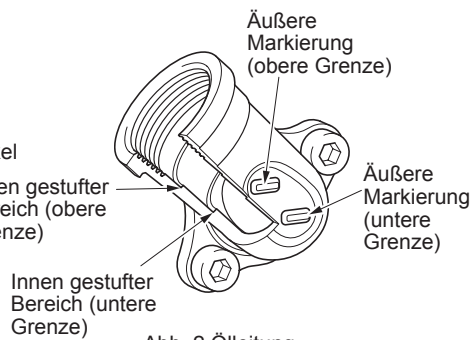


Abb. 2 Ölleitung

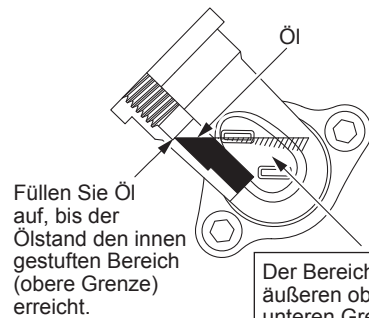
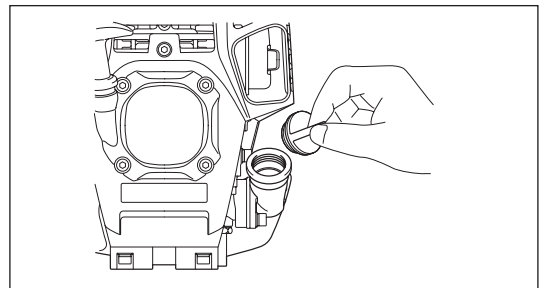


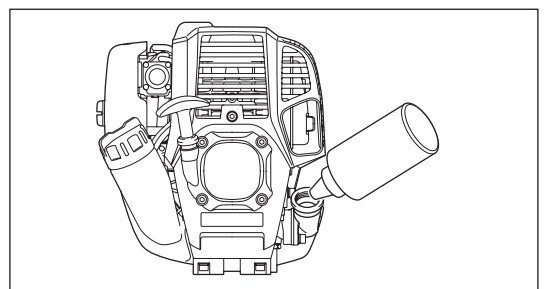
Abb. 3

Der Bereich zwischen äußeren oberen und unteren Grenzen ist transparent, so können Sie den Ölstand von außen gegen diese Markierungen prüfen.

(1) Halten Sie den Motor waagrecht, und nehmen Sie den Öldeckel ab.



(2) Füllen Sie das Öl bis zur oberen Grenzmarkierung ein. (siehe Abb. 3) Verwenden Sie beim Befüllen den Ölbehälter.



(3) Drehen Sie den Öldeckel fest zu. Bei unzureichendem Festschrauben kann Öl auslaufen.



- Füllen Sie Öl nicht in geneigter Position des Motors auf.
- Beim Auffüllen von Öl mit dem Motor in einer geeigneten Position wird zu viel Öl aufgefüllt, und es kann zu Ölverschmutzungen und/oder Ölnebelbildung kommen.

### Punkt 2 beim Ölwechsel: „Falls Öl ausläuft“

- Falls Öl zwischen Kraftstofftank und Motorenhauptblock ausläuft, wird das Öl über den Kühlluftreinlass angesaugt, sodass der Motor verunreinigt wird. Vergewissern Sie sich, dass Sie vor dem Start des Betriebs alles ausgelaufene Öl abgewischt haben.

## BETANKEN

### Umgang mit Kraftstoff

Der Umgang mit Kraftstoff muss mit äußerster Sorgfalt erfolgen. Kraftstoffe können Substanzen enthalten, die wie Lösungsmittel wirken. Das Betanken muss in einem gut belüfteten Raum oder im Freien erfolgen. Atmen Sie Kraftstoffdämpfe nicht ein, und vermeiden Sie jeglichen Körperkontakt mit Kraftstoff. Durch anhaltenden oder wiederholten Hautkontakt wird die Haut trocken, und es kann zu Hauterkrankungen oder allergischen Reaktionen kommen. Falls Kraftstoff in die Augen gelangt, Augen sofort mit frischem Wasser spülen! Falls die Augenirritation anhält, suchen Sie einen Arzt auf.

Führen Sie die Betankung nur bei guten Lichtverhältnissen und auf einer stabilen Oberfläche durch.

### Aufbewahrungszeitraum von Kraftstoff

Der Kraftstoff sollte innerhalb eines Zeitraums von 4 Wochen verwendet werden, auch wenn er in einem speziellen Container an einem gut belüfteten, schattigen Ort gelagert wird.

Falls kein spezieller Kanister verwendet wird, oder falls der Kanister nicht verschlossen wird, kann der Kraftstoff innerhalb eines Tages zerfallen.

### AUFBEWAHREN DER MASCHINE UND DES KRAFTSTOFFKANISTERS

- Lagern Sie die Maschine und den Kraftstoffkanister an einem kühlen Ort ohne direkte Sonneneinstrahlung.
- Lagern Sie Kraftstoff niemals in der Zelle oder im Schlauch.

## Kraftstoff

Beim Motor handelt es sich um einen Viertaktmotor. Vergewissern Sie sich, dass Sie Fahrzeugbenzin (Normal- oder Super-Benzin) verwenden.

### Wichtige Punkte zum Kraftstoff

- Verwenden Sie niemals eine Benzinmischung, die Motoröl enthält. Andernfalls treten übermäßige Kohleablagerungen oder mechanische Probleme auf.
- Die Verwendung von zersetztem Öl führt zu einem ungleichförmigen Anlaufen.

## Betanken

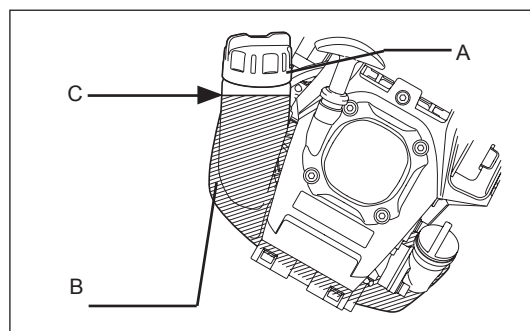
### WARNUNG: OFFENE FLAMMEN STRENGSTENS VERBOTEN

**ACHTUNG:** Vergessen Sie nicht, den Kraftstoff-Tankdeckel nach dem Betanken zu schließen. Starten Sie den Motor niemals bei geöffnetem Tankdeckel.

**Verwendetes Benzin:** Fahrzeugbenzin (bleifreies Benzin)

1. Lösen Sie den Kraftstoff-Tankdeckel (**A**) ein wenig, um ein Überlaufen des Kraftstoffs zu verhindern.
2. Nehmen Sie den Tankdeckel ab. Neigen Sie den Motor so, dass der Nachfüllstutzen nach oben zeigt.
3. Befüllen Sie den Kraftstofftank (**B**) vorsichtig, damit darin befindliche Luft entweichen kann. (Befüllen Sie den Tank nicht über die obere Grenzmarkierung (**C**) hinaus.)
4. Wischen Sie um den Tankdeckel gut sauber, damit keine Fremdkörper in den Kraftstofftank eindringen können.
5. Schrauben Sie nach dem Betanken den Tankdeckel ordnungsgemäß fest.

- Falls der Tankdeckel Makel oder Beschädigungen aufweist, ersetzen Sie den Deckel.
- Der Tankdeckel nutzt sich im Lauf der Zeit ab. Ersetzen Sie den Tankdeckel alle zwei bis drei Jahre.



## WICHTIGE BETRIEBSSCHRITTE UND STOPPEN DES WERKZEUGS

### ACHTUNG:

Beachten Sie die geltenden Bestimmungen zur Unfallverhütung!

### HINWEIS:

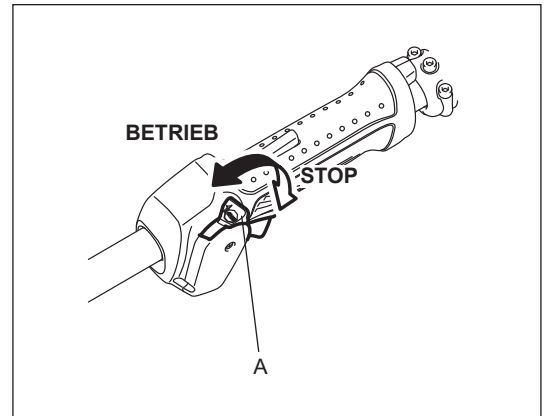
Entfernen Sie die Führungsschienenabdeckung, bevor Sie den Motor starten.

### STARTEN

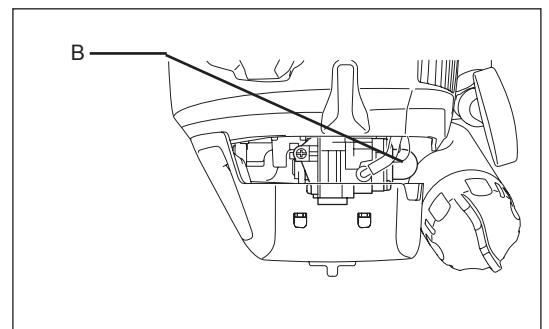
Bewegen Sie sich mindestens 3 m von dem Platz des Auftankens weg. Legen Sie das Werkzeug auf einem sauberen Untergrund ab und achten Sie darauf, dass der Aufsatz nicht in Kontakt mit dem Erdboden oder anderen Gegenständen kommt.

#### A: Kaltstart

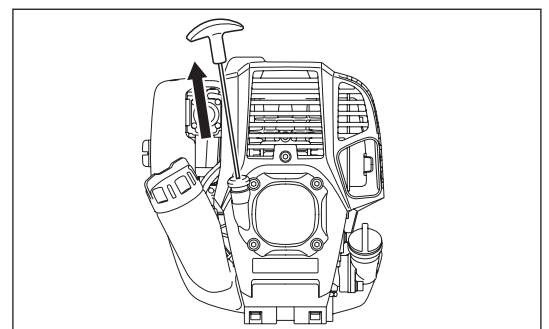
- 1) Legen Sie das Werkzeug auf einer ebenen Fläche ab.
- 2) Stellen Sie den I-O-Schalter (1) auf BETRIEB.



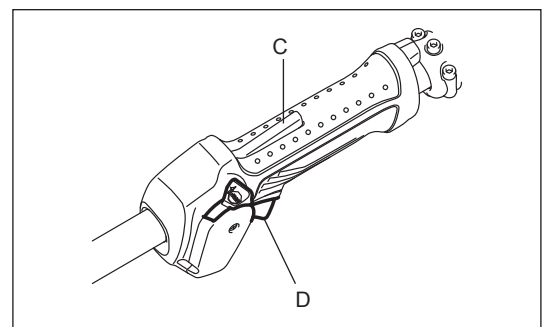
- 3) Anlasseinspritzpumpe  
Drücken Sie die Anlasseinspritzpumpe (B) so lange, bis Kraftstoff in die Anlasseinspritzpumpe eintritt.  
(Im Allgemeinen tritt Kraftstoff nach 7 bis 10 Pumpvorgängen in die Anlasseinspritzpumpe ein.)  
Falls die Anlasseinspritzpumpe zu lange betätigt wird, fließt überflüssiger Kraftstoff zurück in den Kraftstofftank.



- 4) Seilzugstarter  
Ziehen Sie langsam den Startergriff, bis dieser schwer zu ziehen ist (Verdichtungspunkt). Lassen Sie den Startergriff anschließend zurückwickeln und ziehen Sie den Startergriff nun kräftig durch. Ziehen Sie das Seil nie ganz bis zum Anschlag. Lassen Sie beim Ziehen den Startergriff niemals unvermittelt los. Halten Sie den Startergriff fest, bis der Startergriff in seine ursprüngliche Lage zurückgekehrt ist.



- 5) Der Griff verfügt über einen Entsperrungshebel (C), um ein versehentliches Anlaufen zu verhindern. Greifen Sie zum Ziehen des Gashebels (D) den Griff, um die Sperre zu lösen (auf die Entsperrungstaste wird von Hand Druck ausgeübt).



- 6) Aufwärmbetrieb  
Der Aufwärmbetrieb sollte 2 bis 3 Minuten dauern.

Hinweis: Falls übermäßig Kraftstoff aufgenommen wird, entfernen Sie die Zündkerze und ziehen Sie den Startergriff langsam, um den übermäßigen Kraftstoff zu entfernen. Trocknen Sie außerdem die Elektroden der Zündkerze.

## Vorsichtsmaßnahmen bei Betrieb:

Wird der Gashebel im Betrieb ohne Last vollständig geöffnet, erhöht sich die Motordrehzahl auf 10.000 min<sup>-1</sup> oder mehr. Betreiben Sie den Motor nie mit einer höheren Geschwindigkeit als notwendig und bei etwa 6.000 - 8.500 min<sup>-1</sup>.



## B: Anlaufen nach dem Aufwärmetrieb

- 1) Betätigen Sie mehrmals die Anlasseinspritzpumpe.
- 2) Halten Sie den Gashebel in der Leerlaufposition.
- 3) Ziehen Sie den Seilzugstarter kräftig durch.
- 4) Falls sich der Motor schwer starten lässt, öffnen Sie den Gashebel auf ca. 1/3. Achten Sie auf den Aufsatz, er könnte sich drehen.

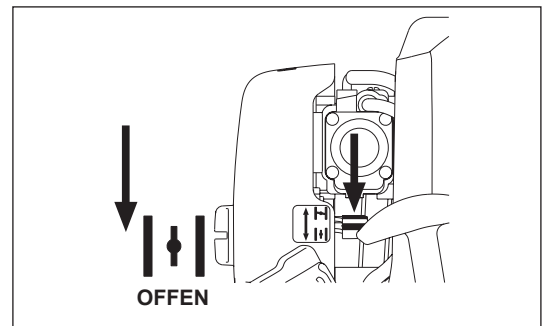
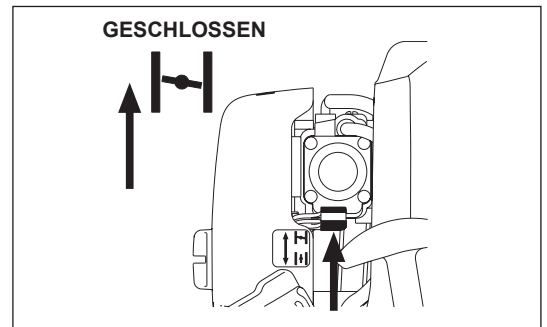
## Manchmal, zum Beispiel im Winter, lässt sich der Motor schwer starten

Betätigen Sie beim Starten des Motors den Choke-Hebel wie folgt:

- Stellen Sie nach Ausführen der Schritte 1) bis 3) für den Start den Choke-Hebel auf die Position GESCHLOSSEN.
- Führen Sie Startschritt 4) aus, und starten Sie den Motor.
- Bringen Sie nach dem Starten des Motors den Choke-Hebel in die Position OFFEN.
- Führen Sie Startschritt 5) aus, und beenden Sie das Aufwärmen.

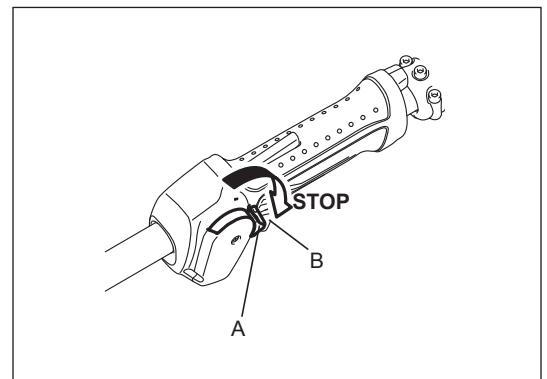
**ACHTUNG:** Falls Sie einen Knall (Explosionsgeräusch) hören und der Motor stoppt, oder der soeben gestartete Motor aus geht, bevor Sie den Choke-Hebel betätigen, bringen Sie den Choke-Hebel zurück in die Position OFFEN, und ziehen Sie den Startergriff einige weitere Male, um den Motor zu starten.

**ACHTUNG:** Falls der Choke-Hebel in der Position GESCHLOSSEN verbleibt und der Startergriff wiederholt gezogen wird, wird zu viel Kraftstoff angesaugt, und der Motor wird schwer zu starten sein.



## STOPPEN

- 1) Lassen Sie den Gashebel (**B**) vollkommen los, und bringen Sie, nachdem sich die Motordrehzahl verlangsamt hat, den I-O-Schalter (**A**) in die Position STOP, um den Motor zu stoppen.
- 2) Beachten Sie, dass der Aufsatz nicht sofort stoppt, und prüfen Sie, dass dieser von selbst langsamer wird.

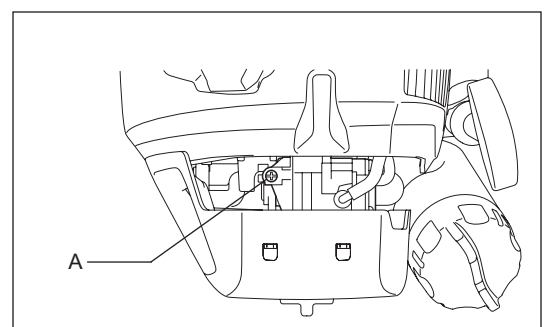


## EINSTELLEN DER LEERLAUFDREHZAH

Passen Sie die Leerlaufdrehzahl bei Bedarf mit Hilfe der Vergaser-Einstellschraube (**A**) an.

## ÜBERPRÜFEN DER LEERLAUFDREHZAH

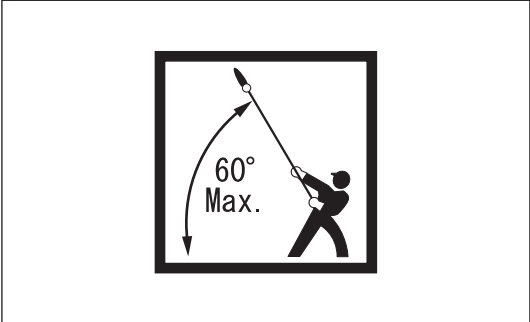
- Stellen Sie die Leerlaufdrehzahl auf 3.000 min<sup>-1</sup> ein. Sollte es notwendig sein, die Drehzahl zu ändern, regulieren Sie diese mittels der Einstellschraube mit einem Phillips-Schraubendreher.
- Drehen Sie die Einstellschraube nach rechts, um die Motordrehzahl zu erhöhen. Drehen Sie die Einstellschraube nach links, um die Motordrehzahl zu verringern.
- Grundsätzlich wurde der Vergaser vor dem Versand eingestellt. Falls eine Neueinstellung erforderlich ist, wenden Sie sich bitte an ein autorisiertes Servicecenter.





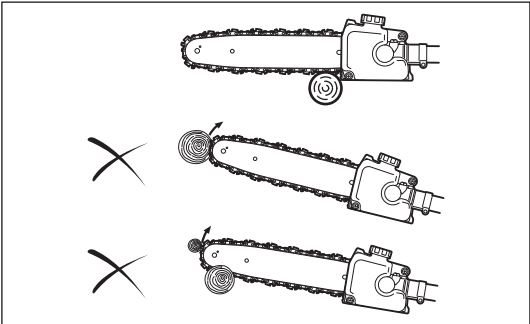
**Standposition**

- Stehen Sie auf einer stabilen Oberfläche. Der Winkel des Hochentasters über dem waagerechten Boden sollte 60° betragen.
- Sägen Sie zuerst die unteren Äste, damit die Äste leichter fallen können.
- Halten Sie immer einen Fluchtweg frei, falls ein gesägter Ast in Richtung des Bedieners fällt.



**Methode**

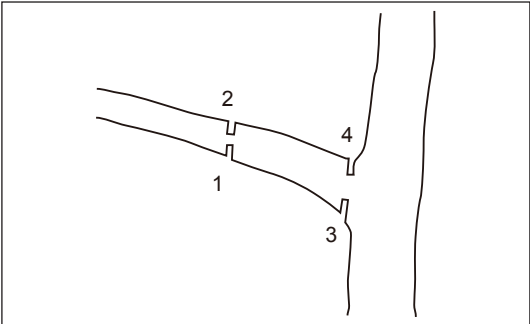
- Starten Sie den Motor und ziehen Sie den Gashebel, bis die Sägekette ihre volle Drehzahl erreicht hat.
- Drücken Sie die Sägekette leicht auf den Ast. Üben Sie keinen zu starken Druck auf das Werkzeug aus. Andernfalls kann es zu Schäden am Werkzeug kommen.
- Sägen Sie niemals mit der Schienenspitze. Andernfalls kann es zu einem gefährlichen Rückschlagen kommen, was zu Verletzungen führen kann.



**Tipps für das Sägen dicker Äste**

Wenn Sie einen dicken Ast sägen, verwenden Sie die folgende Methode.

1. Sägen Sie in kurzem Abstand zum beabsichtigten Schnitt eine kleine Einkerbung in die Unterseite des Astes.
2. Sägen Sie den Ast an der eingekerbten Stelle von der Oberseite.
3. Sägen Sie eine weitere kleine Einkerbung in die Unterseite des Astes an der beabsichtigten Schnittstelle.
4. Führen Sie den beabsichtigten Schnitt von der Oberseite aus durch.



**WARTUNGSANWEISUNGEN**

**ACHTUNG:** Stoppen Sie vor allen Arbeiten am Werkzeug den Motor und ziehen Sie den Zündkerzenstecker von der Zündkerze (siehe „Überprüfen der Zündkerze“) ab.  
 Tragen Sie immer Schutzhandschuhe!  
 Legen Sie das Werkzeug für Inspektions- und Wartungsarbeiten immer auf dem Boden ab. Beim Zusammenbauen oder Einstellen des Werkzeugs in aufrechter Position kann es zu schweren Verletzungen kommen.  
 Setzen Sie vor einer Wartung immer die Führungsschienenabdeckung auf.

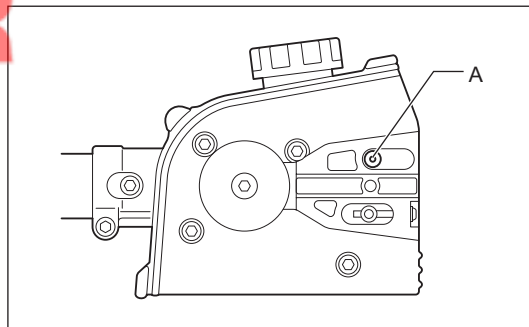
Führen Sie die folgenden Wartungsarbeiten regelmäßig durch, um eine lange Lebenszeit des Werkzeugs zu erzielen und Beschädigungen am Werkzeug zu vermeiden.

**Tägliche Inspektionen und Wartungsarbeiten**

- Überprüfen Sie vor dem Betrieb das Werkzeug auf lose Schrauben und fehlende Teile. Achten Sie vor allem bei einem bestimmten Aufsatz auf eine sichere Montage.
- Überprüfen Sie vor jedem Betrieb, dass die Kühlluftdurchgänge und Zylinderlamellen nicht verstopft sind. Reinigen Sie diese bei Bedarf.
- Führen Sie die folgenden Arbeiten täglich nach der Verwendung durch:
  - Reinigen Sie das Werkzeug äußerlich und überprüfen Sie das Werkzeug auf Beschädigungen.
  - Reinigen Sie den Luftfilter. Wenn Sie unter sehr staubigen Bedingungen arbeiten, reinigen Sie den Filter mehrmals am Tag.
  - Prüfen Sie, dass der Abstand zwischen Leerlauf- und Betriebsdrehzahlen ausreichend ist, damit das Werkzeug bei Leerlauf des Motors in Stillstand ist (reduzieren Sie bei Bedarf die Leerlaufdrehzahl). Falls sich das Werkzeug während des Leerlaufs des Motors weiter dreht, wenden Sie sich an den nächsten autorisierten Servicehändler.
- Prüfen Sie den I-O-Schalter, den Entsperrungshebel und den Regelungshebel ordnungsgemäße Funktion.

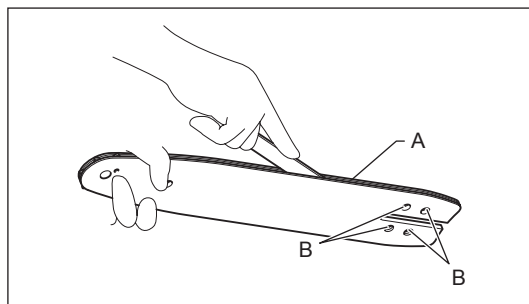
## Reinigen der Öffnung für die Kettenölfuhr

Reinigen Sie die Öffnung für die Kettenölfuhr (A) täglich. Nehmen Sie Schienenhalter und Führungsschiene ab, um Zugang zur Öffnung für die Kettenölfuhr zu erhalten.



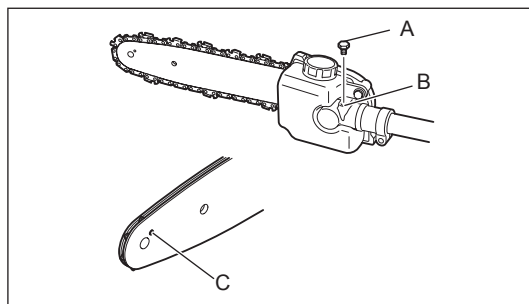
## Reinigen und inspizieren der Führungsschiene

Reinigen Sie die Führungsschiene täglich. Entfernen Sie Sägemehl aus der Nut (A) und der Öffnung für die Kettenölfuhr (B). Wenden Sie die Führungsschiene bei jedem Austauschen oder Schärfen der Sägekette, damit die Führungsschiene nicht einseitig abgenutzt wird. Wenn die Nut abgenutzt, verbogen oder deformiert ist, tauschen Sie die Führungsschiene aus.



## Überprüfen der Sägekette

Wenn Sie der Ansicht sind, dass die Sägekette abgenutzt oder deformiert ist oder Risse aufweist, oder wenn der Kraftaufwand beim Sägen steigt, ziehen Sie eine neue Kette auf oder lassen Sie die Kette in Ihrem autorisierten Makita Servicecenter schärfen.



## Schmieren beweglicher Teile

**HINWEIS:** Folgen Sie den Anweisungen zur Häufigkeit und Menge der Schmierung. Durch unzureichende Schmierung können bewegliche Teile beschädigt werden.

Getriebegehäuse:

Entfernen Sie nach jeweils 25 Betriebsstunden den Schmiernippel (A) und füllen Sie ein lithiumhaltiges Schmierfett durch die Schmieröffnung (B) ein.

Spitze Führungsschiene:

Bringen Sie nach jeweils 10 Betriebsstunden ein Schmierfett (Shell Alvania Nr. 2 oder gleichwertiges) in die Schmieröffnung (C) ein.

## WECHSELN DES MOTORÖLS

Zersetztes Motorenöl verkürzt die Lebensdauer der gleitenden und rotierenden Teile in großem Maße. Nehmen Sie daher unbedingt in den angegebenen Zeitabständen einen Ölwechsel vor, und füllen Sie unbedingt die vorgegebene Menge an Frischöl ein.



**ACHTUNG:** Grundsätzlich bleibt der Hauptmotorblock und das Motoröl noch heiß, nachdem der Motor angehalten worden ist. Überprüfen Sie bei einem Ölwechsel, dass der Motorhauptblock und das Motorenöl ausreichend abgekühlt sind. Andernfalls besteht Verbrennungsgefahr.

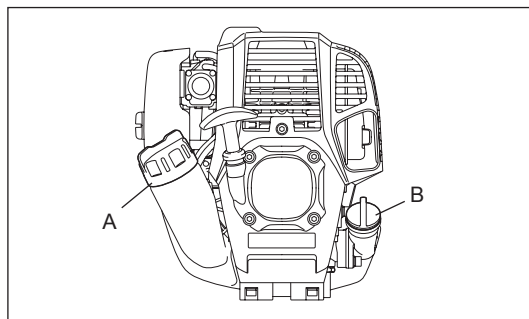
**Hinweis:** Falls zu viel Öl eingefüllt wird, kann das Öl verschmutzt werden oder mit weißem Rauch verbrennen.

**Wechselintervall:** Zu Beginn aller 20 Betriebsstunden und anschließend aller 50 Betriebsstunden.

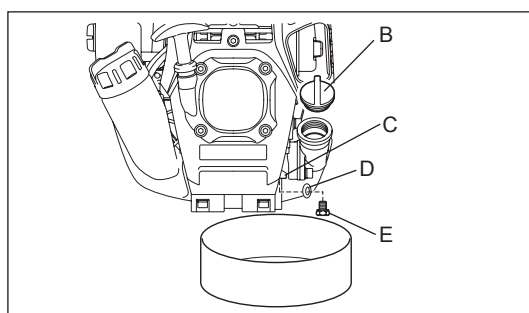
**Empfohlenes Öl:** Öl der API-Klassifikation SAE 10W-30, Klasse SF oder höher (Viertaktmotor für Autos)

So führen Sie einen Ölwechsel aus:

- 1) Überprüfen Sie, dass der Kraftstoff-Tankdeckel (A) sicher festgezogen ist.
- 2) Stellen Sie einen Behälter ausreichender Größe (Auffangwanne, usw.) unter die Ablassöffnung (C).



- 3) Lösen Sie die Ablassschraube (E) und entfernen Sie dann den Öldeckel (B), um das Öl aus der Ablassöffnung zu lassen. Achten Sie dabei darauf, die Ablassschraubendichtung (D) nicht zu verlegen und die entfernten Komponenten auch nicht zu verschmutzen.

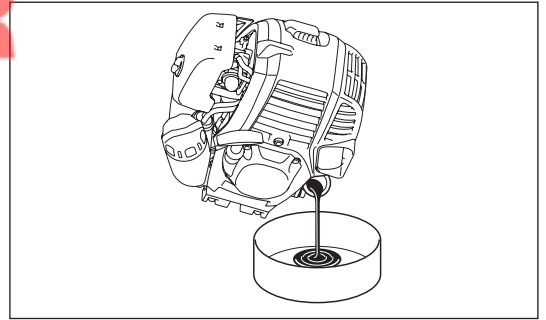


- 4) Nachdem alles Öl abgelassen wurde, setzen Sie die Dichtung wieder auf die Ablassschraube auf, und ziehen Sie die Ablassschraube fest, so dass sich diese nicht löst und ein Leck verursacht.

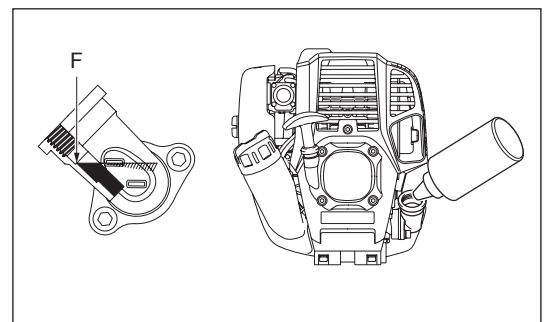
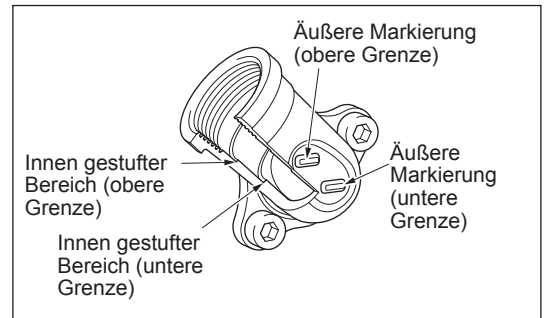
\* Wischen Sie an Schraube und Maschine anhaftendes Öl mit einem Tuch ab.

### Alternative Ablassmethode

Nehmen Sie den Öldeckel ab, neigen Sie das Werkzeug **in Richtung** Ölfüllöffnung, und lassen Sie das Öl ab. Sammeln Sie das Öl in einem Behälter.



- 5) Legen Sie den Motor waagrecht ab, und füllen Sie nach und nach Frischöl bis zur oberen Grenzmarkierung (**F**) auf.
- 6) Setzen Sie nach dem Befüllen den Öldeckel wieder fest auf, sodass sich dieser nicht löst und ein Leck verursacht. Ist der Öldeckel nicht fest gesichert, kann Öl auslaufen.



### WICHTIGE PUNKTE ZUM ÖL

- Entsorgen Sie Altöl niemals über den Hausmüll, in die Erde oder in Abwassersysteme. Die Altöleentsorgung ist gesetzlich geregelt. Halten Sie bei der Entsorgung stets die entsprechenden Gesetze und Bestimmungen ein. Wenden Sie sich bei Unklarheiten an einen autorisierten Servicehändler.
- Öl zersetzt sich auch dann, wenn es aufbewahrt wird, ohne verwendet zu werden. Führen Sie regelmäßig eine Überprüfung und einen Ölwechsel durch (Ölwechsel alle 6 Monate).

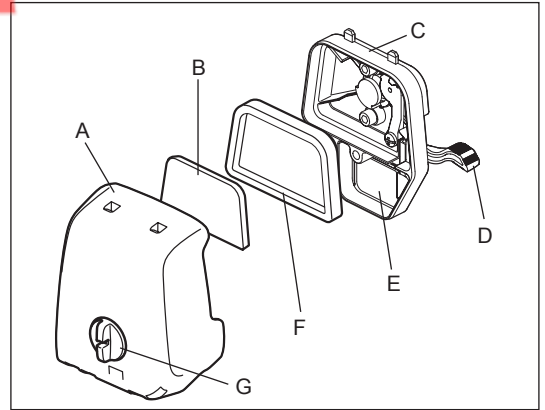
## REINIGEN DES LUFTFILTERS



**GEFAHR: OFFENE FLAMMEN STRENGSTENS VERBOTEN**

**Reinigungs- und Inspektionsintervall: Täglich (alle 10 Betriebsstunden)**

- Drehen Sie den Choke-Hebel (**D**) vollständig zu, und halten Sie den Vergaser fern von Staub und Schmutz.
- Lösen Sie die Halteschraube (**G**).
- Nehmen Sie die Luftfilterabdeckung (**A**) ab, indem Sie seine Unterseite ziehen.
- Entnehmen Sie die Filterelemente (**B**) (**F**) und klopfen Sie den Schmutz aus den Einsätzen.
- Falls die Filterelemente stark verschmutzt sind:  
Entnehmen Sie die Filterelemente, tauchen Sie diese in warmes Wasser oder in Wasser mit verdünntem neutralem Reinigungsmittel und lassen Sie die Filtereinsätze anschließend vollständig trocknen. Drücken und schrubben Sie die Filtereinsätze beim Reinigen nicht.
- Lassen Sie die Filterelemente vollständig trocknen, bevor Sie diese wieder einbauen. Bei unzureichender Trocknung der Filterelemente können Schwierigkeiten beim Starten des Motors auftreten.
- Wischen Sie anhaftendes Öl um die Luftreinigerabdeckung und die Entlüftung (**E**) mit einem Putzlappen ab.
- Setzen Sie den Filterelemente (Schwamm) (**B**) in den Filterelemente (Filz) (**F**). Setzen Sie die Filterelemente so in die Platte (**C**) ein, dass der Schwamm zur Luftfilterabdeckung zeigt.
- Bringen Sie die Reinigerabdeckung unverzüglich an, und sichern Sie diese mit Halteschrauben. (Bringen Sie bei der Wiedermontage zuerst die obere Klemme und dann die untere Klemme wieder an.)



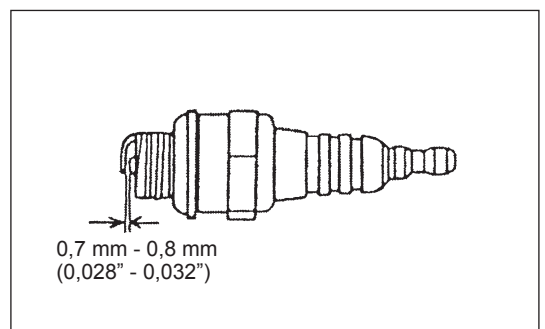
### HINWEIS:

- Reinigen Sie die Filterelemente mehrere Male am Tag, falls übermäßig Staub anhaftet. Verschmutzte Filterelemente führen zum Absinken der Motorleistung und erschweren das Starten des Motors.
- Entfernen Sie Öl von den Filterelemente. Falls der Betrieb mit ölverschmutzten Filterelemente fortgesetzt wird, kann Öl aus dem Luftfilter austreten und zu einer Ölverschmutzung führen.
- Legen Sie die Filterelemente nicht auf den Boden oder an einen verschmutzten Ort. Andernfalls können anhaftender Staub oder Schmutz Schäden am Motor verursachen.
- Verwenden Sie niemals Kraftstoffe zum Reinigen der Filterelemente. Die Filtereinsätze können durch Kraftstoff beschädigt werden.

## ÜBERPRÜFEN DER ZÜNDKERZE

- Schrauben Sie die Zündkerze ausschließlich mit dem mitgelieferten Universalschlüssel heraus- und ein.
- Der Abstand zwischen den Elektroden der Zündkerze muss zwischen 0,7 und 0,8 mm liegen. Wenn der Abstand zu klein oder zu groß ist, korrigieren Sie den Abstand. Falls die Zündkerze verschmutzt oder verstopft ist, reinigen Sie diese gründlich oder ersetzen Sie sie.

**ACHTUNG:** Berühren Sie bei laufendem Motor niemals den Zündkerzenstecker (Gefahr eines Hochspannungsschlags).



## REINIGEN DES KRAFTSTOFFFILTERS

### WARNUNG: OFFENE FLAMMEN STRENGSTENS VERBOTEN



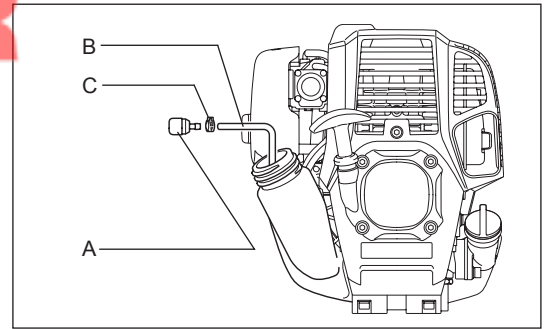
Reinigungs- und Inspektionsintervall: Monatlich (alle 50 Betriebsstunden)

#### Ansaugkopf im Kraftstofftank

Überprüfen Sie den Kraftstofffilter (A) regelmäßig. Führen Sie die unten genannten Schritte aus, um den Kraftstofffilter zu überprüfen:

- (1) Nehmen Sie den Kraftstoff-Tankdeckel ab und lassen Sie den Kraftstoff ab, bis der Tank leer ist. Überprüfen Sie das Tankinnere auf Fremdkörper. Entfernen Sie diese, falls vorhanden.
- (2) Ziehen Sie mit Hilfe eines Drahthakens den Ansaugkopf durch die Tanköffnung.
- (3) Wenn der Kraftstofffilter leicht verschmutzt ist, reinigen Sie den Kraftstofffilter. Reinigen Sie den Kraftstofffilter, indem Sie ihn in Kraftstoff schütteln und ausklopfen. Drücken oder reiben Sie den Filter nicht, da der Filter dadurch beschädigt werden könnte. Der für das Reinigen verwendete Kraftstoff muss entsprechend der örtlich geltenden Gesetze und Bestimmungen entsorgt werden.  
Wenn der Kraftstofffilter verhärtet oder stark verstopft ist, tauschen Sie den Filter aus.
- (4) Setzen Sie den Kraftstofffilter nach dem Überprüfen, Reinigen oder Austauschen in die Kraftstoffleitung (B) ein und befestigen Sie ihn mit der Schlauchklemme (C). Drücken Sie den Kraftstofffilter ganz bis auf den Boden des Kraftstofftanks.

Ein verstopfter oder beschädigter Kraftstofffilter kann zu einer unzureichenden Zufuhr von Kraftstoff und zu einem Absinken der Motorleistung führen. Tauschen Sie den Kraftstofffilter mindestens alle 3 Monate aus, damit die Zufuhr von ausreichend Kraftstoff zum Vergaser sichergestellt ist.



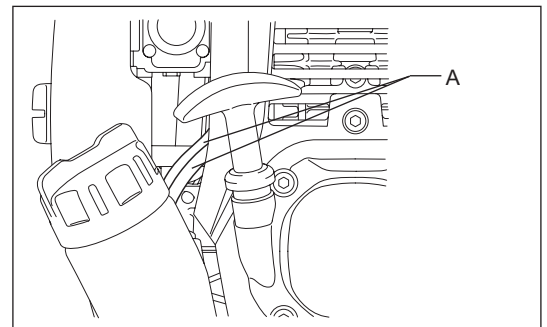
#### AUSTAUSCHEN DER KRAFTSTOFFLEITUNG

### ACHTUNG: OFFENE FLAMMEN STRENGSTENS VERBOTEN

Reinigungs- und Inspektionsintervall: Täglich (alle 10 Betriebsstunden)

Austausch: Jährlich (alle 200 Betriebsstunden)

Tauschen Sie die Kraftstoffleitung (A) jedes Jahr aus, unabhängig von der Häufigkeit des Betriebs. Kraftstofflecks können einen Brand verursachen. Falls Sie bei der Inspektion ein Leck entdecken, tauschen Sie die Kraftstoffleitung sofort aus.



#### INSPEKTION VON SCHRAUBEN UND MUTTERN

- Ziehen Sie lose Schrauben, Muttern usw. wieder fest.
- Prüfen Sie auf Kraftstoff- und Ölleckagen.
- Tauschen Sie beschädigte Bauteile durch neue aus, damit ein sicherer Betrieb gegeben ist.

#### REINIGEN VON BAUTEILEN

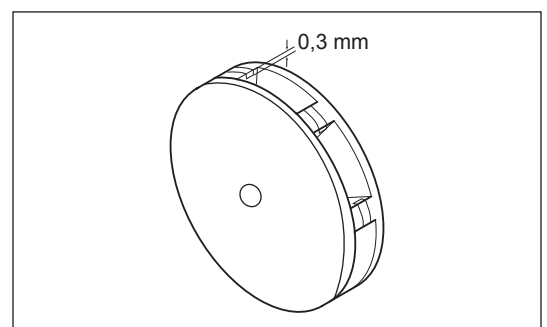
- Halten Sie den Motor stets sauber.
- Halten Sie die Zylinderlamellen frei von Sand und Staub. An den Lamellen anhaftender Staub und Schmutz kann zu einem Festfressen des Kolbens führen.

#### AUSTAUSCHEN VON DICHTUNGEN

Vergewissern Sie sich bei der Wiedermontage des Motors, dass Sie die Dichtungen und Dichtungsmassen durch neue ersetzen. Alle Wartungsarbeiten oder Einstellungen, die in diesem Handbuch nicht beschrieben wurden, müssen von autorisierten Servicezentren durchgeführt werden.

#### INSPEKTION DES KETTENRADS

Überprüfen Sie das Kettenrad nach jeweils 50 Betriebsstunden auf Verschleiß. Wenn die Verschleißmarke 0,3 mm erreicht hat oder noch tiefer ist, tauschen Sie das Kettenrad aus.



## Schärfen der Sägekette



### Die Sägekette schärfen, wenn:

- mehrlage Sägeespäne beim Sägen von feuchtem Holz entstehen,
- die Sägekette auch bei stärkerem Druck nur mühevoll ins Holz zieht,
- die Schnittkante sichtbar beschädigt ist,
- die Säge im Holz einseitig nach links oder rechts verläuft. Die Ursache hierfür liegt in einer ungleichmäßigen Schärfung der Sägekette oder in einer einseitigen Beschädigung.

### Schärfen Sie die Sägekette häufig, aber entfernen Sie dabei nur wenig Material.

Für das einfache Nachschärfen genügen meist zwei bis drei Feilenstriche. Lassen Sie nach mehrmaligem Schärfen die Sägekette in einem von MAKITA autorisierten Servicecenter nachschärfen.

### Schärfkriterien:

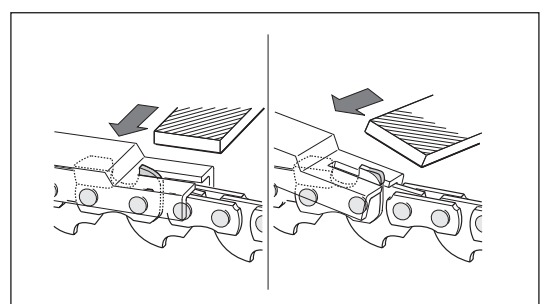
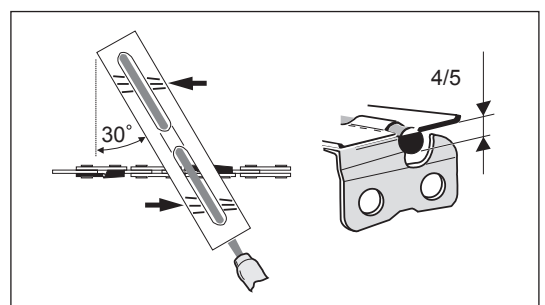
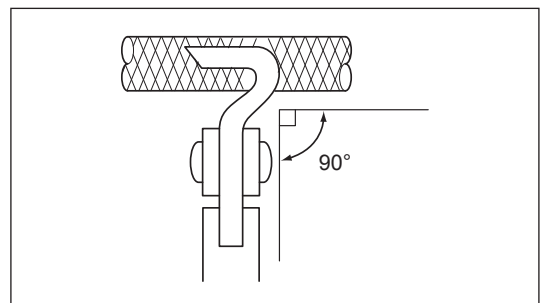
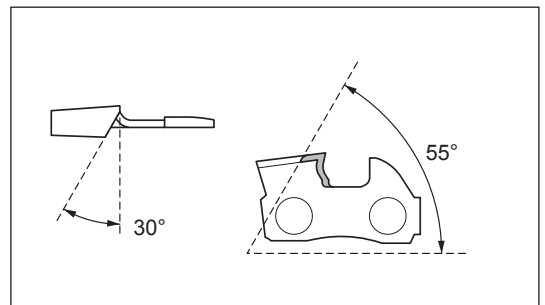
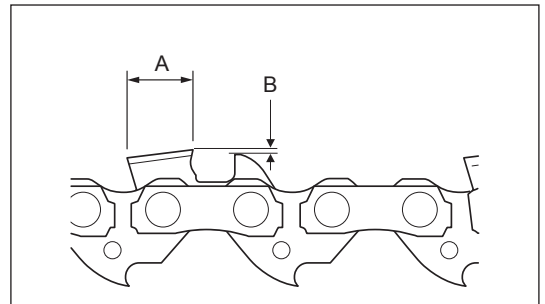
- Die Höhe aller Hobelzähne (**A**) muss gleich sein. Verschieden hohe Hobelzähne verursachen einen rauen Kettenlauf und können zum Kettenriss führen.
- Die Spandicke wird durch den Abstand zwischen dem Tiefenanschlag (runde Nase) und der Schnittkante (**B**) bestimmt.
- Die besten Schnittergebnisse werden durch den folgenden Abstand zwischen der Schnittkante und dem Tiefenanschlag erzielt.  
Kettenblatt 91VXL: 0,64 mm

**⚠️ WARNUNG:** Ein zu großer Abstand erhöht die Rückschlaggefahr.

- Der Schärfwinkel von  $30^\circ$  muss bei allen Hobelzähnen gleich sein. Unterschiedliche Winkel verursachen einen rauen, ungleichmäßigen Kettenlauf, führen zu vorzeitigem Verschleiß und zum Kettenbruch.
- Der Brustwinkel des Hobelzahns wird durch die Eindringtiefe der Rundfeile bestimmt. Wenn die vorgeschriebene Feile richtig geführt wird, ergibt sich der korrekte Brustwinkel automatisch.
- Der richtige Winkel für jede Sägekette beträgt:  
Kettenblatt 91VXL:  $55^\circ$

### Feile und Feilenführung

- Verwenden Sie zum Schärfen eine Spezial-Sägekettenrundfeile (optionales Zubehör). Normale Rundfeilen sind nicht geeignet.
- Der Durchmesser der Rundfeile für jede Sägekette beträgt:  
Kettenblatt 91VXL: 4,0 mm
- Die Feile sollte nur im Vorwärtsstrich in den Hobelzahn greifen. Beim Zurückführen die Feile vom Hobelzahn abheben.
- Schärfen Sie den kürzesten Hobelzahn zuerst. Dann wird die Länge des kürzesten Hobelzahns zum Richtwert für alle anderen Hobelzähne auf der Sägekette.
- Führen Sie die Feile wie abgebildet.
- Ein Feilenhalter (optionales Zubehör) erleichtert die Feilenführung. Er besitzt Markierungen für den korrekten Schärfwinkel von  $30^\circ$  (Markierungen parallel zur Sägekette ausrichten) und begrenzt die Eindringtiefe ( $4/5$  des Feilendurchmessers).
- Nach dem Nachschärfen der Sägekette die Höhe des Tiefenanschlages mit der Kettenmesslehre (optionales Zubehör) prüfen.
- Entfernen Sie jeglichen Überstand, auch wenn noch so gering, mit einer Spezial-Flachfeile (optionales Zubehör).
- Runden Sie den Tiefenanschlag vorne wieder ab.



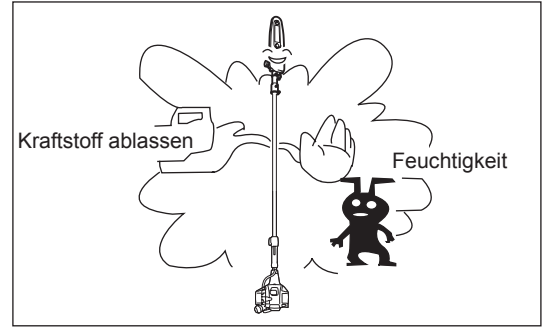




**WARNUNG: Denken Sie beim Ablassen von Kraftstoff daran, den Motor anzuhalten und vergewissern Sie sich, dass der Motor abgekühlt ist. Der Motor ist kurz nach dem Anhalten noch heiß. Warten Sie, bis er abgekühlt ist. Andernfalls kann es zu Verbrennungen oder zum Brand kommen.**

Wenn Sie die Maschine längere Zeit nicht verwenden, führen Sie die folgenden Schritte durch:

- Gehen Sie zum Ablassen des Kraftstoffs aus dem Tank wie folgt vor:
  - 1) Entfernen Sie den Kraftstoff-Tankdeckel und lassen Sie den Kraftstoff vollständig ab. Entfernen Sie ggf. im Kraftstofftank zurückbleibende Fremdkörper.
  - 2) Ziehen Sie den Kraftstofffilter mit einem Draht aus dem Nachfüllstutzen.
  - 3) Drücken Sie die Ansaugpumpe, bis der Kraftstoff von hier abgeleitet wurde und leiten Sie den Kraftstoff in den Kraftstofftank ab.
  - 4) Setzen Sie den Filter wieder in den Kraftstofftank ein, und ziehen Sie den Tankdeckel sicher fest.
  - 5) Betreiben Sie den Motor, bis er stehenbleibt.
- Lassen Sie das Kettenöl ab.
- Nehmen Sie Sägekette und Führungsschiene ab.
- Reinigen Sie die Führungsnut der Führungsschiene.
- Schmieren Sie die Sägekette und Führungsschiene sparsam.
- Schrauben Sie die Zündkerze heraus, und geben Sie einige wenige Tropfen Öl in die Zündkerzenöffnung.
- Ziehen Sie anschließend den Startergriff leicht, sodass das Öl über die Innenseite des Zylinders verteilt wird, und schrauben Sie dann die Zündkerze wieder ein.
- Lagern Sie das Gerät grundsätzlich in waagerechter Position. Ist dies nicht möglich, platzieren Sie das Gerät so, dass sich der Motorblock unter dem Schneidwerkzeug befindet. Andernfalls kann Öl aus dem Inneren des Motors austreten.
- Achten Sie immer darauf, dass das Gerät an einem sicheren Ort gelagert wird, damit es nicht zu Schäden am Gerät oder Verletzungen von Personen kommt.
- Bewahren Sie den abgelassenen Kraftstoff in einen zugelassenen Behälter an einem gut belüfteten und schattigen Ort auf.



**Maßnahmen nach einer längeren Lagerung**

- Wenn Sie das Werkzeug nach einer langen Lagerperiode wieder in Betrieb nehmen, nehmen Sie unbedingt einen Motorölwechsel vor (siehe „WECHSELN DES MOTORÖLS“). Öl zersetzt sich, auch wenn das Werkzeug nicht verwendet wird.

**Problemebehebung**

Problem	System	Beobachtung	Ursache
Motor startet nicht oder nur mit Schwierigkeiten	Zündsystem	Zündfunke OK	Fehler in der Kraftstoffzufuhr oder im Verdichtungssystem, mechanischer Defekt
		Kein Zündfunke	STOPP-Schalter betätigt, Verdrahtung fehlerhaft oder kurzgeschlossen, Zündkerze oder Zündkerzenstecker defekt, Zündmodul fehlerhaft
	Kraftstoffzufuhr	Kraftstofftank gefüllt	Falsche Choke-Position, Vergaser defekt, Kraftstoff-Zufuhrleitung verbogen oder blockiert, Kraftstoff verschmutzt
	Verdichtung	Keine Verdichtung beim Durchziehen	Zylinderkopfdichtung defekt, Kurbelwellendichtungen beschädigt, Zylinder oder Kolbenringe defekt oder ungeeignete Dichtung an der Zündkerze
Probleme bei Warmstart	Mechanischer Fehler	Starter greift nicht ein	Gebrochene Starterfeder, gebrochene Teile innerhalb des Motors
		Tank gefüllt, Zündfunke vorhanden	Vergaser verschmutzt, wurde gereinigt
Motor startet, geht jedoch gleich wieder aus	Kraftstoffzufuhr	Tank gefüllt	Falsche Leerlaufeinstellung, Vergaser verschmutzt Kraftstoff-Tankentlüftung verstopft, Kraftstoff-Zufuhrleitung unterbrochen, Kabel oder STOPP-Schalter defekt
Unzureichende Leistung	Möglicherweise sind mehrere Systeme gleichzeitig betroffen	Motorleerlaufdrehzahl zu niedrig	Luftfilter verschmutzt, Vergaser verschmutzt, Schalldämpfer verstopft, Auslasskanal im Zylinder verstopft





Betriebsdauer Position		Vor Betrieb	Nach Schmierung	Taglich (10 h)	25 h	50 h	200 h	Abschalten/ Ruhe
Gesamtes Werkzeug	Sichtprufung	○						
Motorol	Inspizieren	○						
	Ersetzen					○*1		
Festziehen von Bauteilen (Schraube, Mutter)	Inspizieren	○						
Kraftstofftank	Inspizieren	○						
	Kraftstoff ablassen							○*3
Gashebel	Funktion uberprufen	○	○					
Stopschalter	Funktion uberprufen	○	○					
Leerlaufdrehzahl	Inspizieren/Einstellen			○				
Luftfilter	Reinigen			○				
Zundkerze	Inspizieren			○				
Kuhlluftkanal	Reinigen/Inspizieren			○				
Kraftstoffleitung	Inspizieren			○				
	Ersetzen						⊙*2	
Kraftstofffilter	Reinigen/Ersetzen					○		
Ventilspiel (Einlass- und Auslassventil)	Inspizieren/Einstellen						⊙*2	
uberholung Motor							⊙*2	
Vergaser	Kraftstoff ablassen							○*3
offnung fur Kettenolzufuhr	Reinigen			○				
Fuhrungsschiene	Reinigen der Nut und der offnung fur die Kettenolzufuhr			○				
	Inspizieren			○				
	Schmieren			○				
Getriebegehause	Schmieren				○			
Kettenrad	Inspizieren					○		
Sagekette	Austauschen oder scharfen lassen							○*4

\*1 Nehmen Sie den ersten Wechsel nach 20 Betriebsstunden vor.

\*2 Wenden Sie sich fur die Inspektion nach 200 Betriebsstunden an ein autorisiertes Servicecenter.

\*3 Setzen Sie nach dem Leeren des Kraftstofftanks den Betrieb des Motors fort, damit der Vergaser geleert wird.

\*4 Falls erforderlich.

## FEHLERBEHEBUNG



Überprüfen Sie ein Problem selbst, bevor Sie eine Reparatur anfordern. Falls eine Anomalität auftritt, kontrollieren Sie die Maschine anhand der Beschreibung in diesem Handbuch. Gebrauchen Sie die Maschine und ihre Bauteile niemals zweckentfremdet, setzen Sie keine Bauteile außer Funktion und demontieren Sie Teile ausschließlich wie in dieser Anleitung erläutert. Wenden Sie sich zwecks Reparaturen an ein autorisiertes Servicecenter oder einen Händler vor Ort.

Anomalität	Mögliche Ursache (Fehlfunktion)	Abhilfe
Motor startet nicht	Anlasseinspritzpumpe nicht betätigt.	Drücken Sie 7 bis 10 mal.
	Starterseil wird zu langsam gezogen.	Ziehen Sie kräftig.
	Kraftstoffmangel.	Führen Sie Kraftstoff zu.
	Verstopfter Kraftstofffilter.	Reinigen Sie ihn.
	Getrennte Kraftstoffleitung	Schließen Sie die Kraftstoffleitung richtig an.
	Verbogene Kraftstoffleitung.	Begradigen Sie die Kraftstoffleitung.
	Überalterter Kraftstoff.	Überalterter Kraftstoff erschwert den Startvorgang. Ersetzen Sie den Kraftstoff durch neuen. (Empfohlenes Austauschintervall: 1 Monat)
	Übermäßige Kraftstoffansaugung.	Stellen Sie den Gashebel von mittlerer Drehzahl auf hohe Drehzahl ein und ziehen Sie den Startergriff, bis der Motor startet. Sobald der Motor startet, beginnt die Rotation der Sägekette. Achten Sie auf die Sägekette. Falls der Motor immer noch nicht startet, entfernen Sie die Zündkerze, trocknen Sie die Elektrode ab und montieren Sie sie wieder wie vorher. Starten Sie dann den Motor wie erläutert.
	Zündkerzenstecker gelöst.	Fest Anbringen.
	Verschmutzte Zündkerze.	Reinigen Sie ihn.
	Anomaler Abstand der Zündkerzenelektroden.	Stellen Sie den Abstand ein.
	Andere Anomalität der Zündkerze.	Ersetzen Sie sie.
	Anomaler Vergaser.	Fordern Sie eine Inspektion und Wartung an.
Starterseil kann nicht gezogen werden.	Fordern Sie eine Inspektion und Wartung an.	
Anomales Antriebssystem.	Fordern Sie eine Inspektion und Wartung an.	
Motor stoppt gleich wieder Motordrehzahl erhöht sich nicht	Unzureichendes Aufwärmen.	Führen Sie einen Aufwärbetrieb durch.
	Choke-Hebel ist auf „GESCHLOSSEN“ eingestellt, obwohl der Motor vorgewärmt wurde.	Stellen Sie den Hebel auf „OFFEN“ ein.
	Verstopfter Kraftstofffilter.	Reinigen Sie ihn.
	Verschmutzter oder verstopfter Luftfilter.	Reinigen Sie ihn.
	Anomaler Vergaser.	Fordern Sie eine Inspektion und Wartung an.
Es wird kein Kettenöl zugeführt.	Anomales Antriebssystem.	Fordern Sie eine Inspektion und Wartung an.
	Der Öltank ist leer.	Füllen Sie den Öltank mit Kettenöl auf.
	Die Öffnung für die Kettenölaufuhr ist verschmutzt.	Reinigen Sie die Öffnung für die Kettenölaufuhr am Aufsatz und an der Führungsschiene.
Die Sägekette dreht sich nicht ↓ Motor sofort stoppen	Die Einstellschraube für die Kettenölaufuhrmenge ist falsch eingestellt.	Stellen Sie die Einstellschraube in die richtige Position.
	Die Führungsschiene ist verbogen oder beschädigt.	Tauschen Sie die Führungsschiene aus.
	Fremdkörper sind in der Sägekette verfangen.	Entfernen Sie die Fremdkörper bei ausgeschaltetem Motor.
Das Werkzeug vibriert unnormal ↓ Motor sofort stoppen	Anomales Antriebssystem.	Fordern Sie eine Inspektion und Wartung an.
	Gebrochene, verbogene oder abgenutzte Führungsschiene.	Tauschen Sie die Führungsschiene aus.
	Lockere Sägekette.	Stellen Sie die Kettenspannung ein.
Die Sägekette stoppt nicht ↓ Motor sofort stoppen	Anomales Antriebssystem.	Fordern Sie eine Inspektion und Wartung an.
	Zu hohe Leerlaufdrehzahl.	Stellen Sie die Leerlaufdrehzahl richtig ein.
	Problem mit der Gashebelleitung.	Wenden Sie sich zum Austauschen defekter Teile an Ihr autorisiertes Servicecenter.
Motor stoppt nicht ↓ Betreiben Sie den Motor im Leerlauf und stellen Sie den Choke-Hebel auf GESCHLOSSEN	Anomales Antriebssystem.	Fordern Sie eine Inspektion und Wartung an.
	Lose Verbindung mit dem I-O-Schalter.	Fest Anbringen.
	Anomales Elektriksystem.	Fordern Sie eine Inspektion und Wartung an.

Wenn der Motor nach dem Aufwärmen nicht startet:

Falls bei den überprüften Elementen eine Anomalität auftritt, bringen Sie den Gashebel auf 1/3 und starten Sie den Motor.

Köszönjük, hogy megvásárolta a MAKITA benzinmotoros teleszkópos gallyfűrészét. Nagy öröm számunkra, hogy bemutatathatjuk a MAKITA benzinmotoros teleszkópos gallyfűrészét, amely egy hosszú fejlesztési program eredménye, és több év alatt felhalmozódott ismeretanyag felhasználásával készült.

Kérjük, olvassa el ezt a füzetet, ami részletesen bemutatja a kiemelkedő teljesítményt bizonyító pontokat. A füzet segítségével a lehető legjobb teljesítményt érheti el MAKITA benzinmotoros teleszkópos gallyfűrészével.



## Tartalomjegyzék

## Oldal

Szimbólumok.....	127
Biztonsági utasítások.....	128
Műszaki adatok.....	134
Alkatrészek megnevezése.....	135
Összeszerelés és beállítás.....	136
A használat megkezdése előtt.....	139
A használatra vonatkozó előírások és a leállítás módja.....	141
Használat.....	143
Karbantartási utasítások.....	143
Tárolás.....	149

## SZIMBÓLUMOK

A használati utasítás olvasása közben a következő szimbólumokkal találkozhat.

	Olvassa el, és tartsa be a figyelmeztetéseket és a biztonsági előírásokat!		Nyílt láng használata tilos!
	Legyen különösen elővigyázatos és figyelmes!		Lánckenő olaj.
	Viseljen sisakot, szem- és hallásvédő eszközt.		A működési területtől tartson távol minden személyt és állatot!
	Védőkesztyű használata kötelező!		Üzemanyag (benzin)
	Viseljen csúszásmentes talpú védőbakancsot.		Kézi indítású motor
	A gép és a közelben tartózkodók, illetve az elektromos légvezeték (beleértve a hozzáérő ágakat) közötti távolság legalább 15 méter legyen. Áramütés és/vagy személyi sérülés veszélye.		Elsősegély
	A gallyfűrész ne tartsa 60°-nál nagyobb szögben.		BE/INDÍTÁS
	Láncsebesség.	○	KI/LEÁLLÍTÁS
	Tilos!		Vészleállítás
	Dohányozni tilos!		

### Általános tudnivalók

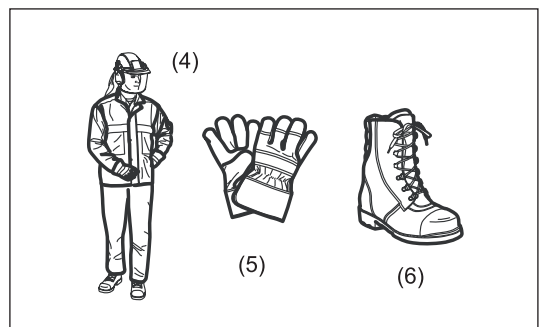
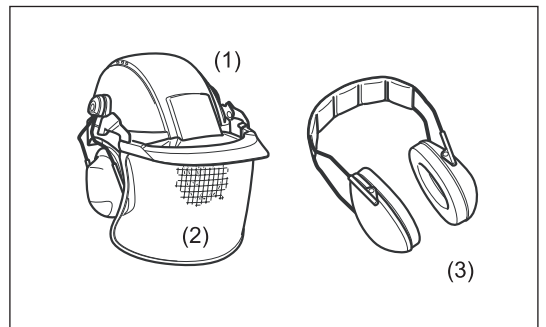
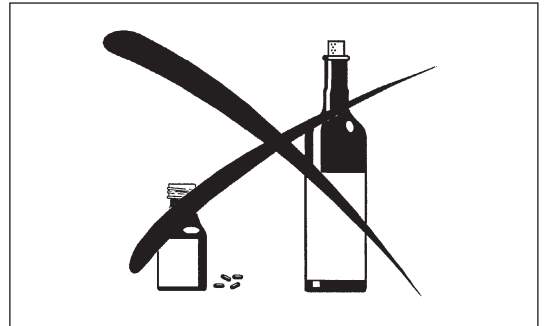
- A helyes működés biztosításához a felhasználónak el kell olvasnia a használati utasítást, hogy megismerkedjen a gép kezelésével. A hiányos ismeretekkel rendelkező kezelő a helytelen kezelés miatt saját magára és más személyekre is veszélyt jelent.
- Javasoljuk, hogy csak olyan személynek adja kölcsön a gépet, aki kellő gyakorlattal rendelkezik az ilyen eszközök kezelésében. Mindig adja oda a használati utasítást is.
- Aki még nem használta, kérje meg a márkakereskedőt, hogy ismertesse meg a benzinmotoros bozótvágók, fűkaszák kezelésének alapjaival.
- Gyermekek és 18 év alatti fiatal személyek a gépet nem használhatják. 16 évnél idősebb személyek képzési céllal gyakorlott oktató jelenlétében használhatják a gépet.
- A gép használata közben járjon el fokozott körültekintéssel.
- A gépet csak megfelelő fizikai állapotban működtesse. Minden munkát nyugodtan és elővigyázatosan végezzen. A gép használója másokért is felelős.
- Soha ne használja a gépet alkohol vagy kábítószer hatása alatt, illetve ha betegnek vagy fáradtnak érzi magát.
- Soha ne próbálja meg átalakítani a gépet.
- Egyes nemzeti előírások korlátozhatják a gép használatát. Tartsa be a hazájában a gallyfűrészek és láncfűrészek használatára vonatkozó előírásokat.

### A gép rendeltetészerű használata

A gépet kizárólag 15 centiméter gallyátmérőnél kisebb ágak vagy gallyak levágásához tervezték. A gépet nem szabad más célra használni. A gép nem megfelelő használata súlyos sérülésekhez vezethet.

### Személyi védőeszközök

- A ruházat legyen megfelelő és funkcionális, azaz legyen testhezálló, de ne gátolja a munkában. Ne viseljen ékszert vagy laza ruhadarabot, ezek ugyanis beakadhatnak a bozótba vagy az ágakba.
- Annak érdekében, hogy a gép használatakor elkerülhetőek legyenek a fej-, a szem-, a kéz- és a lábsérülések, valamint a halláskárosodás, viselni kell az alábbi védőeszközöket és védőruházatot.
- A lezuhanó tárgyak kockázata miatt mindig viseljen védősisakot. A védősisak (1) épségét rendszeresen meg kell vizsgálni, és legkésőbb 5 év elteltével ki kell cserélni. Kizárólag jóváhagyott, engedélyezett sisakot szabad használni.
- A védősisak arcvédője (2) (vagy esetleg védőszemüveg) megvédi az arcát a repülő hulladékoktól és kövektől. A szemsérülések elkerülése érdekében mindig viseljen védőszemüveget vagy arcvédőt.
- A halláskárosodások elkerülése végett arra alkalmas hallásvédő eszközöket (fülvédő (3), fül dugó stb.) kell használni.
- A munkaruha (4) védelmet nyújt a repülő hulladékoktól és kövektől. Nyomatékosan javasoljuk munka közben a munkaruha viselését.
- Az előírt felszerelés része a vastag bőrből készült védőkesztyű (5), amit a gép használata közben mindig viselni kell.
- A gép használata közben mindig viseljen csúszásmentes talppal rendelkező erős védőlábbelit (6). Ez biztos állást nyújt, és véd a sérülések ellen.
- A fűrészlánc kezelésekor vagy a láncfeszesség beállításakor viseljen védőkesztyűt. A fűrészlánc a csupaszcipővel súlyosan megvághatja.



## A munkaterület biztonsága

- **⚠ Veszély:** A gallyfűrész és az elektromos légvezetékek, valamint a kommunikációs kábelek (beleértve a hozzáérő ágakat) közötti távolság legalább 15 méter legyen. A nagyfeszültségű vezetékek gallyfűrészrel történő megérintése vagy megközelítése komoly testi sérülést vagy halálos balesetet okozhat. A munkavégzés megkezdése előtt ellenőrizze a munkaterület közelében lévő elektromos vezetékeket és elektromos kerítéseket.
- Csak napközben, jó látási viszonyok mellett használja a gallyfűrészt. Ne működtesse a gallyfűrészt sötétben vagy ködös időben.
- A motort csak jól szellőző, nyitott helyen indítsa be és üzemeltesse. A zárt vagy rosszul szellőző helyen történő üzemeltetés fulladásos halált vagy szén-monoxid mérgezést okozhat.
- Ne üzemeltesse az eszközt instabil vagy csúszós felületen, illetve meredek lejtőn. A hideg évszakokban óvakodjon a jeges vagy havas felületektől, és ügyeljen a lábai biztos megtámasztására.
- Üzemeltetés közben tartson minden személyt és állatot legalább 15 m távolságra a gallyfűrésztől. Azonnal állítsa le a motort, ha valaki az említett távolságot nem tartja be.
- Üzemeltetés előtt vizsgálja át a teljes munkaterületet, hogy található-e rajta drótkerítés, fal vagy egyéb szilárd tárgy. Ezek a fűrészlánc károsodását okozhatják.
- **⚠ FIGYELEM:** A termék használata során olyan vegyi anyagokat tartalmazó por képződhet, amelyek légzési vagy egyéb betegségeket okozhatnak. Ilyen vegyi anyagok találhatóak például a rovarirtó szerekben, növényvédő szerekben, trágyákban és gyomirtó szerekben. Az ilyen anyagoknak való kitettség kockázata attól függ, hogy Ön milyen gyakran végez ilyen jellegű munkát. A kitettség csökkentése érdekében: dolgozzon jól szellőztetett helyen, és a munkavégzéshez használjon erre a célra engedélyezett munkavédelmi felszereléseket, például olyan porvédő álarcot, amelyet kifejezetten a mikroszkopikus részecskék kiszűrésére fejlesztettek ki.

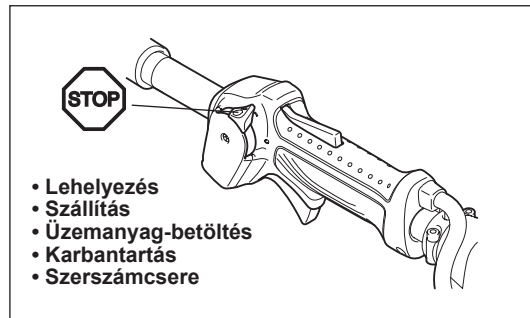
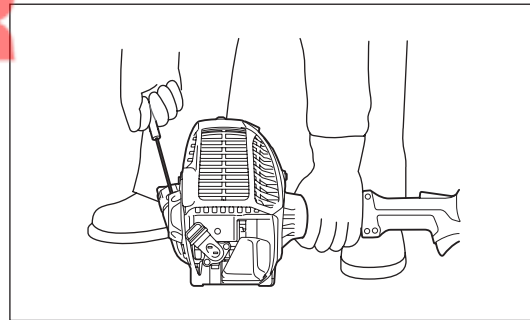
## Üzembe helyezés

- A gép összeállításának vagy beállításának megkezdése előtt állítsa le a motort, és vegye le a gyertyapipát.
- A motor elindítása előtt ellenőrizze, hogy a gép sértetlen-e, nincsenek-e benne meglazult csavarok vagy csavaranyák, és az összeszerelése megfelelő. Az élettlen fűrészláncot élezze meg. Ha a fűrészlánc elhajlott vagy sérült, cserélje ki. Ellenőrizze, hogy minden vezérlőkar és kapcsoló könnyen jár-e. Tisztítsa le és szárítsa meg a fogantyúkat.
- Ne indítsa be a motort, ha a gép sérült, vagy nincs teljesen összeszerelve, mert ellenkező esetben súlyosan megsérülhet.
- Állítsa be a helyes láncfeszességet. Szükség esetén töltsse fel a láncolajzó tartályt.

## A motor beindítása

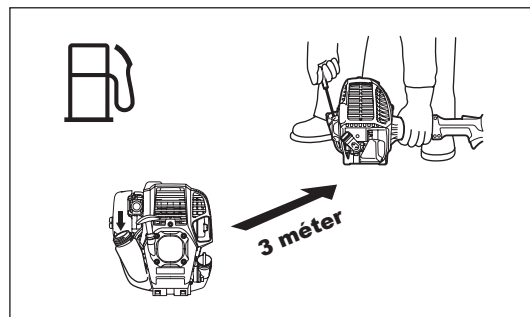
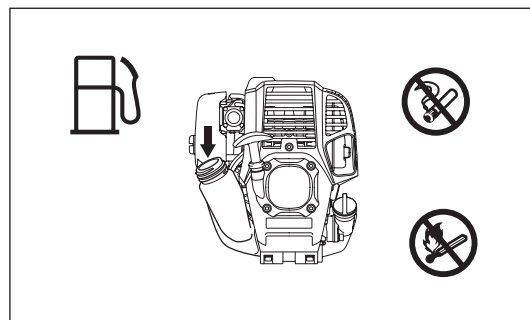
- Ügyeljen rá, hogy a munkakörnyezetben ne legyenek gyermekek vagy más személyek, illetve háziállatok.
- A motor indítása előtt vegye fel a személyi védőeszközöket.
- Győződjön meg arról, hogy a tartozék megfelelően rögzül a helyén, a gázadagoló kar akadálymentesen működik, és ellenőrizze a reteszelő kar megfelelő működését is.
- Ha a fűrészlánc alapjáraton mozog, állítsa le a motort, és csökkentse az alapjárati fordulatszámot. Ha kétsége van, forduljon a hivatalos szakszervizhez. Ellenőrizze a fogantyúk tisztaságát és szárazságát, és tesztelje az indítás/leállítás kapcsoló működését.

- A motort csak az utasításban leírtak szerint indítsa be.
- Ne használjon más módszert a motor beindítására!
  - Helyezze a gépet szilárd talajra. Kiegyensúlyozott, szilárd tartásban álljon.
  - A berántó fogantyú meghúzásakor bal kezével szorítsa erősen a talajnak a gépet. Ne lépjen rá a meghajtóegység nyelére.
  - A motor beindítása előtt ellenőrizze, hogy nincs-e másik személy vagy állat a munkaterületen.
  - A motor beindításakor a fűrészláncot és a láncvezető lapot tartsa távol testétől és más tárgyaktól, például a talajtól is. Indításkor a fűrészlánc megmozdulhat, és súlyos sérülést vagy anyagi kárt okozhat önmagának vagy egyéb tárgyakkal.
  - Bármilyen motorhiba esetén azonnal állítsa le a motort.
  - A fűrészlánc kövel vagy kemény tárggyal való ütközések azonnal állítsa le a motort, és vizsgálja át a gépet.
  - A gépet kizárólag a vállhevederrel használja, amelyet megfelelően be kell állítani a gép használata előtt. Fontos, hogy a vállszíjat a felhasználó méretének megfelelően állítsa be, ezzel elkerülve a használat közbeni fáradtságot. Használat közben soha ne tartsa egy kézzel a vágót.
  - A vállhevedert csak akkor csatlakoztassa, ha a motor alapjáraton működik. Működés közben a gépet tartsa szorosan a teste jobb oldalánál.
  - A géphez kapott összes védőfelszerelést és védőburkolatot használni kell az üzemeltetés során.
  - Meghibásodott kipufogó-hangtompítóval soha ne használja a motort.
  - Vészhelyzettől eltekintve soha ne ejtse le vagy dobja le a földre a gépet, mivel ez annak súlyos károsodásával járhat.



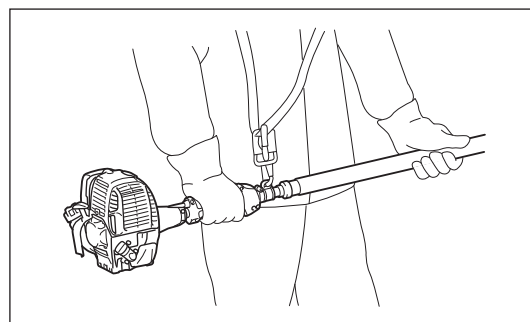
## Üzemanyag-betöltés

- Üzemanyag-betöltés közben állítsa le a motort, tartsa távol nyílt lángtól, és ne dohányozzon.
- Kerülje az ásványolaj termékek bőrrel való érintkezését. Ne lélegezze be az üzemanyag gőzét. Tankolás közben viseljen védőkesztyűt. Rendszeres időközönként cserélje, és tisztítsa meg a védőruházatot.
- Ügyeljen arra, hogy a talaj szennyeződésének elkerülése érdekében ne fröccsenjen ki olaj vagy üzemanyag (környezetvédelem). Az üzemanyag kifröccsenésekor azonnal tisztítsa meg a gépet.
- Kerülje az üzemanyag ruhával való érintkezését. Az üzemanyag ruhára való fröccsenésekor azonnal cseréljen ruhát (a ruha meggyulladásának megelőzése érdekében).
- Rendszeres időközönként ellenőrizze, hogy az üzemanyagtartály sapkája jól zár-e, és nem szivárog.
- Óvatosan húzza meg az üzemanyagtartály sapkáját. A motor indítását egy másik helyen végezze (legalább 3 méteres távolságban a tankolás helyszínétől).
- Zárt helyiségekben soha ne tankoljon. Az üzemanyag gőzei a talaj közelében gyűlnek össze (robbanásveszély).
- Az üzemanyagot csak arra engedélyezett kannákban szállítsa és tárolja. Gyerekektől zárva tárolja az üzemanyagot.



## A használat módja

- Vészhelyzetben azonnal állítsa le a motort.
- Ha szokatlan jelenséget (pl. zajt, vibrációt) tapasztal használat közben, kapcsolja ki a motort. Ne használja a gépet a hiba okának felismeréséig és elhárításáig.
- A fűrészlánc a gázadagoló ravasz felengedése után egy rövid ideig még tovább forog. Ne próbáljon meg azonnal hozzányúlítani a fűrészlánchoz.
- Bal kézzel fogja az elülső, jobb kézzel pedig a hátsó fogantyút, függetlenül attól, hogy bal- vagy jobbkézes-e. A fogantyúkat markolja meg.
- Soha ne próbálja meg egy kézzel tartani a gépet. A gép irányítása feletti uralom elvesztése súlyos vagy halálos személyi sérüléshez vezethet. A sérülés kockázatának csökkentéséhez ne közelítsen kezével és lábával a vágóelemekhez.
- Ne hajoljon a gép fölé. Mindig megfelelően szilárd helyzetben és egyensúly megőrzésével dolgozzon.
- Figyeljen a rejtett akadályokra, mint például facsonkokra, gyökerekre és árkokra, hogy elkerülje a megbotlást. A leesett ágakat és egyéb tárgyakat távolítsa el.
- Ha a gépet erős ütés éri, illetve leesik, a munka folytatása előtt ellenőrizze állapotát. Ellenőrizze, hogy az üzemanyag-rendszer nem szivárog-e, továbbá ellenőrizze, hogy a kezelőszervek és biztonsági eszközök helyesen működnek-e. Ha bármilyen sérülést észlel, vagy felmerül annak gyanúja, ellenőrzésért és javításért forduljon a Makita hivatalos szervizközpontjához.
- Ne érintse meg a fogaskerékhatást. Üzem közben a fogaskerékhez felforrósodhat.
- Ha a gépet akárcsak rövid időre is magára hagyja, mindig állítsa le a motort. A magára hagyott, járó motorú gépet illetéktelen személyek használhatják, és súlyos balesetet okozhatnak.

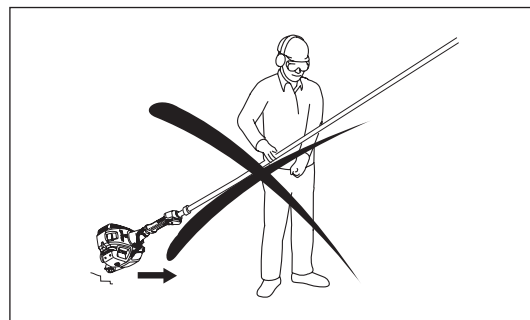




- Óvja a környezetet. Az alacsonyabb légszennyezés és zajkibocsátás érdekében kerülje a szükségtelen gázadásokat. A karburátort helyesen állítsa be.
- Használat közben és után a forró gépet ne tegye száraz fűre vagy bármilyen gyúlékony anyagra.
- Jobb kezét soha ne tartsa vállmagasság felett.
- Használat közben óvja a fűrészláncot a kemény tárgyaktól, például kövektől és szegektől. Különösen körültekintően járjon el fal, drótkerítés vagy hasonló tárgyak melletti ágak vágásakor.
- Ha gallyak csípődnek a fűrészláncba, mindig állítsa le a motort, és vegye le a gyertyapipát. Ellenkező esetben egy véletlenszerű indítás súlyos sérüléseket okozhat.
- Ha a fűrészlánc megszorul, mindig állítsa le a motort, és vegye le a gyertyapipát a tisztítás előtt.
- Ha a motort megszorult fűrészláncsal próbálja felpörgetni, megnövekszik a terhelés, mely károsítja a motort és/vagy a tengelykapcsolót.
- Faágak vágásakor biztosítson menekülési területet a lezuhanó ág elől. Mindenekelőtt távolítsa el az akadályokat, mint például a faágakat a munkaterületről. A menekülési területéről helyezzen át minden szerszámot és tárgyat egy biztonságos helyre.
- Faágak és gallyak levágása előtt ellenőrizze azok leesési irányát, valamint vegye figyelembe állapotukat, a szomszédos fákat, a szél irányát stb. A földre leeső majd onnan visszapattanó ágak irányát nagy körültekintéssel határozza meg.
- A gallyfűrész ne tartsa 60°-nál nagyobb szögben. Máskülönben a leeső tárgyak ráeshetnek a gép kezelőjére, és komoly sérülést okozhatnak. Soha ne álljon a vágandó ág alá.
- Ügyeljen a törött vagy hajlott ágakra. Ezek vágáskor visszaugorhatnak, és váratlanul sérülést okozhatnak.
- A vágandó faágak közeléből távolítsa el a többi ágat és levelet. Ellenkező esetben a fűrész megakadhat ezekben.
- Annak érdekében, hogy a fűrész ne szoruljon meg a vágatban, addig ne engedje fel a gázkart, míg ki nem húzta a fűrész a vágatból.
- Ha a fűrészlánc megszorul a vágatban, azonnal állítsa le a motort, óvatosan mozgassa meg az ágat úgy, hogy a vágat szétnyíljon, és a fűrész kiszabaduljon.
- Kerülje el a gép visszarúgását (a forgó mozgásból származó, gépkezelőre visszaható erőt). A visszarúgás elkerülése érdekében soha ne vágjon a láncvezető lap csúcsával, valamint ne végezzen átmenő vágást. Mindig figyelje a láncvezető lap csúcsának helyzetét.
- A láncfeszességet rendszeresen ellenőrizze. A lánc feszültségének ellenőrzésekor vagy beállításakor állítsa le a motort, és vegye le a gyertyapipát. Ha a lánc laza, feszítsen rajta.
- A gépet a lehető legkisebb zajjal és károsanyag-kibocsátással üzemeltesse. Különösen figyeljen a karburátor helyes beállítására.
- Ne álljon a működő géppel létrára.
- Ne másszon fára, hogy azon metszési munkát végezzen.
- Vágás előtt várja meg, amíg a lánc eléri a teljes üzemi sebességet.
- Tartson pihenőt, nehogy elfáradjon és emiatt elveszítsen uralmát a gép felett. Célszerű óránként 10–20 perc pihenőt tartani.

## Szállítás

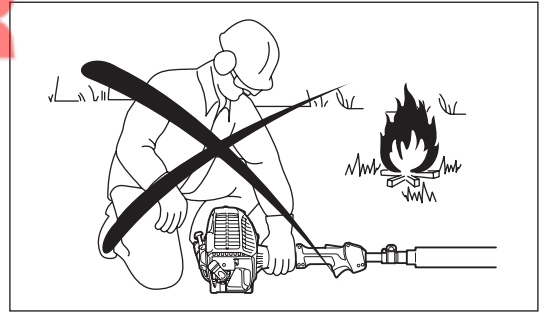
- A gép szállításának megkezdése előtt állítsa le a motort, és vegye le a gyertyapipát.
- Szállításkor mindig helyezze fel a láncvezető lap burkolatát.
- Mindig használja a géphez mellékelte szerszámvédőt.
- A gépet vízszintes helyzetben, a nyelénél fogva szállítsa. A kipufogódobot tartsa távol a testétől.
- Ha a gépet járműben szállítja, szilárdan rögzítse, hogy menet közben ne billenjen fel. Ellenkező esetben az üzemanyag kifolyhat, és károsíthatja a gépet és más tárgyakat.
- A szállítást leállított motorral végezze.
- Győződjön meg arról, hogy az üzemanyagtartály teljesen üres.
- A gép járműből való kivételekor a motort soha ne dobja le a földre, mert az üzemanyagtartály jelentős sérülését okozhatja.
- A gép mozgatásakor ne felejtse el, hogy a teljes gépet fel kell emelni a földről. Az üzemanyagtartály húzása nagyon veszélyes dolog, és sérülést, illetve üzemanyag-szivárgást eredményezhet, ami tüzet okozhat.





## Karbantartási útmutató

- Az eszközt hivatalos szervizközpontban szervizeltesse, és kizárólag eredeti cserealkatrészeket használjon. A helytelen javítás vagy nem megfelelő karbantartás csökkentheti az eszköz élettartamát és megnöveli a balesetek kockázatát.
- A gép karbantartása, javítása vagy tisztítása előtt mindig állítsa le a motort, és vegye le a gyertyapipát. Várja meg, hogy a motor lehűljön.
- A tűzveszély csökkentése érdekében a gépet soha ne szerelje vagy tárolja tűz közelében.
- A fűrészlánc kezelésekor mindig viseljen védőkesztyűt.
- A gépről mindig takarítsa le a port és a szennyeződést. Erre a célra soha ne használjon gázolajat, benzint, hígítót, alkoholt vagy hasonló anyagokat. Ezek a műanyag alkatrészek elszíneződését, alakvesztését vagy repedését okozhatják.
- Minden használat után húzza meg az összes csavart és csavaranyát, kivéve az állítócsavarokat.
- Tartsa a fűrészláncot élesen. Ha a fűrészlánc életlenné válik, és vágási teljesítménye gyengül, élezésért vagy cseréért forduljon a Makita hivatalos szervizközpontjához.
- Ne próbálkozzon olyan karbantartási vagy javítási műveletekkel, amelyeket ez a használati utasítás nem tartalmaz. Az ilyen művelet elvégzéséért forduljon a kijelölt Makita szervizhez.
- Tisztítsa meg rendszeres időközönként a gépet, és ellenőrizze a csavarok és anyák rögzítettségét.
- A gépet mindig zárt helyiségben és üres üzemanyagtartállyal tárolja.



## Tárolás

- A gép tárolása előtt végezzen átfogó tisztítást és karbantartást. Helyezze fel a láncvezető lap burkolatát. Csavarja ki helyéről a gyertyapipát. Az üzemanyagot és a lánckenő olajat a motor lehűlése után engedje le.
- A gépet száraz helyen, magasan vagy elzártan tárolja, hogy gyerekek ne férjenek hozzá.
- A gépet ne tárolja falnak vagy bármi másnak döntve. Ebből a helyzetből váratlanul eldőlhethet, és sérülést okozhat.

Tartsa be a megfelelő kereskedelmi szervezetek és biztosítók által kiadott baleset-megelőzési utasításokat. Ne végezzen semmiféle módosítást a gépen, mert az veszélyeztetheti a személyes biztonságát.

A felhasználó által csak azok a karbantartási és javítási munkák végezhetők, amelyek a használati utasításban szerepelnek. Minden más műveletet egy hivatalos szervizközponttal kell elvégeztetni. Csak eredeti, a MAKITA által kiadott és szállított alkatrészeket és tartozékokat használjon.

A nem engedélyezett tartozékok és szerszámok használata növeli a balesetveszélyt.

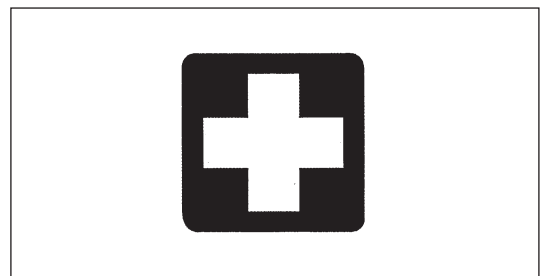
A MAKITA nem vállal felelősséget a nem engedélyezett tartozékok és rögzítőeszközök használata miatti bekövetkező balesetek vagy károk miatt.

## Elsősegély

Ügyeljen rá, hogy baleset esetére legyen egy mentődoboz a vágási műveletek környezetében. Az elsősegélydobozból kivett eszközöket azonnal pótolni kell.

### Ha segítséget kell hívni, adja meg az alábbi információkat:

- A baleset helyszíne
- A bekövetkezett esemény
- A sérült személyek száma
- A sérülés típusa
- Az ön neve



## Vibráció

- A keringési rendellenességben szenvedő emberek véredényei vagy idegrendszere a túlzott mértékű rezgés hatására megsérülhetnek. A rezgés a következő tünetek megjelenését okozhatja az ujjakban, a kézben vagy a csuklóban: Álmoság (zsibbadtság), bizsergő érzés, fájdalom, szúró fájdalomérzet, a bőr- vagy annak színének elváltozása. Ha e tünetek bármelyikét észleli, forduljon orvoshoz!
- A „fehér ujj betegség” kockázatának csökkentése érdekében tartsa melegen kezeit a működtetés alatt, és tartsa megfelelő állapotban az eszközt és tartozékait.



---

## EK MEGFELELŐSÉGI NYILATKOZAT

**Mi, a Makita Corporation mint a termék felelős gyártója kijelentjük, hogy az itt megnevezett Makita gép(ek):**

Gép megnevezése: Benzinmotoros teleszkópos gallyfűrész

Típus sz./Típus: EY2650H

Műszaki adatok: lásd a „MŰSZAKI ADATOK” című táblázatban  
sorozatgyártásban készülnek, és

**megfelelnek az alább felsorolt európai irányelvek előírásainak:**

2006/42/EK

Illetve gyártásuk a következő szabványoknak, valamint szabványosított dokumentumoknak megfelelően történik:

EN/ISO11680

A műszaki dokumentációt őrzi:

Makita International Europe Ltd., Technical Department,

Michigan Drive, Tongwell, Milton Keynes, Bucks MK15 8JD, Anglia

Az EK típusvizsgálat tanúsítványának száma gallyfűrészként:

4813008.13001

Az EK típusvizsgálatot a 2006/42/EK előírásainak megfelelően végezte:

DEKRA Testing and Certification GmbH Enderstraße 92b 01277 Dresden, Németország

Azonosítószám: 2140

31. 10. 2013

Tomoyasu Kato

Igazgató

Makita Corporation

3-11-8, Sumiyoshi-cho,

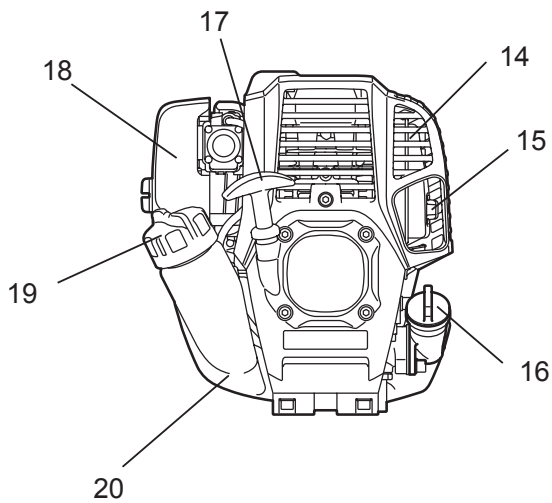
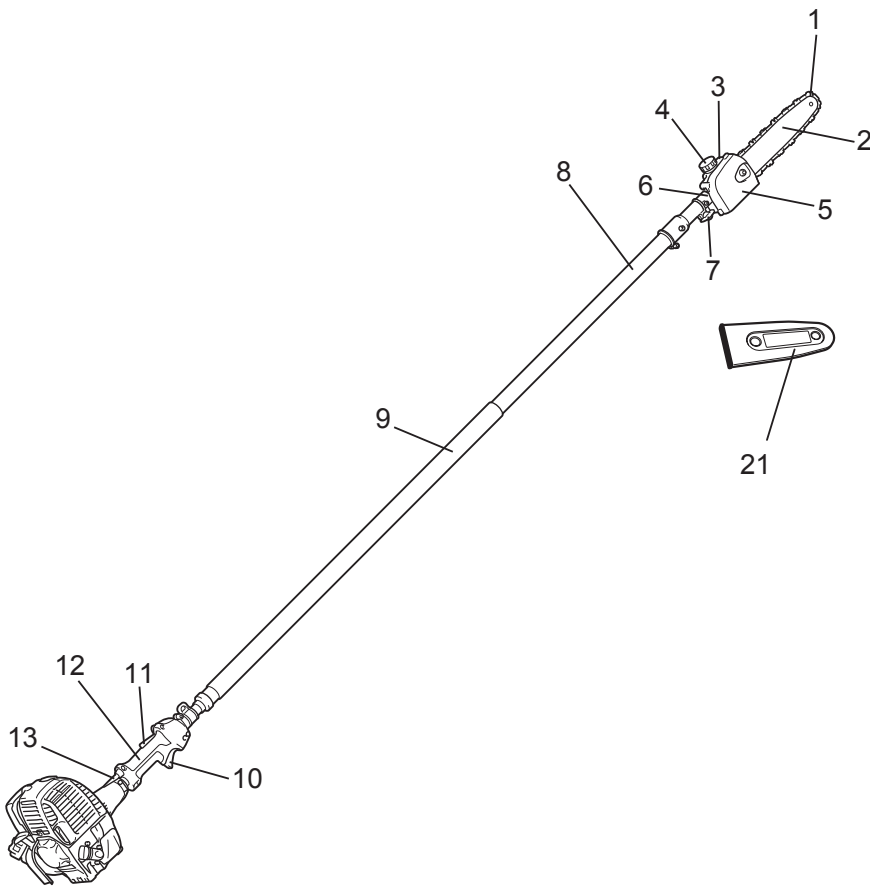
Anjo, Aichi, 446-8502, JAPAN

---

Típus		EY2650H		
Méreték: h x sz x m	mm	2720–3920 x 223 x 240		
Tömeg	kg	7,2		
Benzintartály űrtartalma	cm <sup>3</sup>	600		
A láncolajtartály űrtartalma	cm <sup>3</sup>	120		
Motor lökettérfogata	cm <sup>3</sup>	25,4		
Max. láncsebesség	m/s	21,0		
Maximális motorteljesítmény		0,77 kW 7000 min <sup>-1</sup> fordulatszámon		
Motor fordulatszáma az orsó legnagyobb ajánlott fordulatszámánál	min <sup>-1</sup>	10000		
Üresjárat fordulatszám	min <sup>-1</sup>	3000		
Tengelykapcsoló kapcsolási fordulatszáma	min <sup>-1</sup>	4400		
Karburátor		Membrános típusú		
Gyújtógyertya	Típus	NGK CMR4A		
Elektródahézag	mm	0,7 - 0,8		
Üzemanyag		Gépjármű-benzin		
Motorolaj		API besorolású SF vagy magasabb osztályú olaj, SAE 10W-30 olaj (négyütemű gépkocsimotorokhoz)		
Vágási hossz	mm	255		
Láncvezető lap hosszúsága	mm (hüvelyk)	255 (10")		
Fűrészlánc		91VXL-39E		
Lánckerék fogosztása	hüvelyk	3/8"		
Láncellenőrző	mm (hüvelyk)	1,3 (0,05")		
Lánckerék fogainak száma		7		
Lánckenő olaj		Eredeti Makita lánckenő olaj		
Lánckenő olajszivattyú		Merülő szivattyú (Önkenő kivétel)		
Vibráció az ISO 22867 szerint	Jobb oldali fogantyú (hátsó fogantyú)	$a_{hv\ eq}$ (A nyél a legrövidebb helyzetben)	m/s <sup>2</sup>	5,3
		$a_{hv\ eq}$ (A nyél a leghosszabb helyzetben)	m/s <sup>2</sup>	6,1
		Tűrés (K)	m/s <sup>2</sup>	2,0
	Bal oldali fogantyú (elülső fogantyú)	$a_{hv\ eq}$ (A nyél a legrövidebb helyzetben)	m/s <sup>2</sup>	7,2
		$a_{hv\ eq}$ (A nyél a leghosszabb helyzetben)	m/s <sup>2</sup>	8,6
		Tűrés (K)	m/s <sup>2</sup>	2,0
Átlagos hangnyomásszint az ISO 22868 szerint	$L_{PA\ eq}$	dB(A)	89,5	
	Tűrés (K)	dB(A)	2,5	
Átlagos hangteljesítményszint az ISO 22868 szerint	$L_{WA\ eq}$	dB(A)	107,3	
	Tűrés (K)	dB(A)	2,5	

- A cégünkönél folyó folyamatos kutatási és fejlesztési program miatt az itt megadott műszaki adatok előzetes értesítés nélkül módosulhatnak.
- A műszaki adatok országonként eltérőek lehetnek.

EY2650H



HU	ALKATRÉSZEK MEGNEVEZÉSE
1	Fűrészlánc
2	Láncvezető lap
3	Olajtartály
4	Olajtartályzáró sapka
5	Vezetőlap-tartó
6	Fogaskerékház
7	Gomb
8	Teleszkópos nyél
9	Elülső fogantyú
10	Gázkar
11	Reteszelő kar
12	Hátsó fogantyú
13	Gázbovden
14	Kipufogó hangtompítója
15	Kipufogócső
16	Olajbetöltő sapka
17	Berántó fogantyú
18	Légszűrő
19	Üzemanyagtartály-sapka
20	Üzemanyagtartály
21	Láncvezető lap burkolata

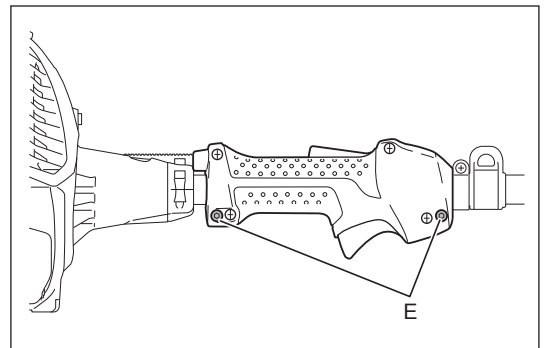
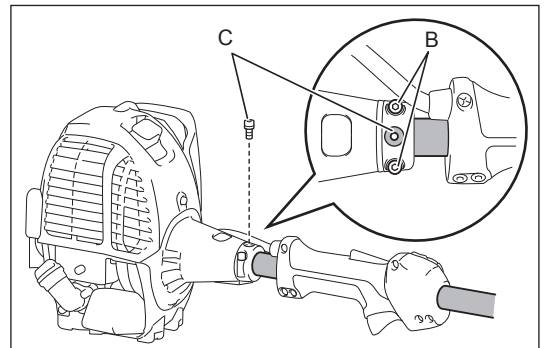
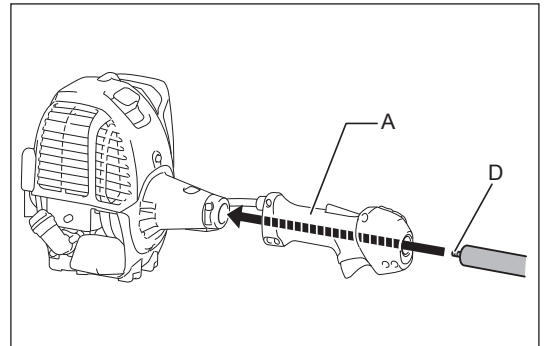
## FIGYELEM:

- A gép összeszerelésének, beállításának vagy ellenőrzésének megkezdése előtt állítsa le a motort, és vegye le a gyertyapipát.
- A fűrészlánc kezelésekor mindig viseljen védőkesztyűt.
- A gép összeszerelése, beállítása vagy ellenőrzése előtt várja meg, amíg a fűrészlánc lehül. A fűrészlánc nagyon felforrósodhat üzem közben, és égési sérüléseket okozhat.

### A nyél és a tengelykapcsolóház összeszerelése

Szerelje össze a nyelet a hátsó fogantyúval és a motoros egységgel az alábbi módon:

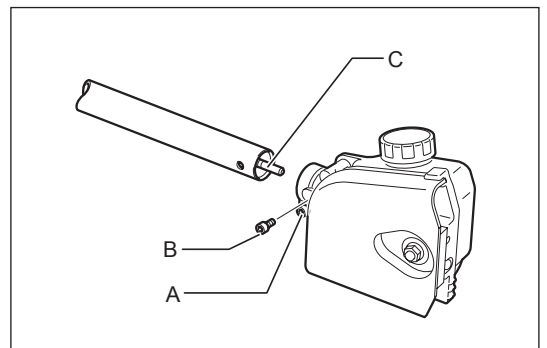
1. Helyezze be a nyelet a hátsó fogantyún (A) keresztül.
2. Lazítsa meg a két rögzítőcsavart (B) és csavarja le a középső csavart (C) a tengelykapcsolóházban.
3. Helyezze a nyelet a tengelykapcsolóházba. Ha a behelyezés nehézségbe ütközik, kissé forgassa el a bordás részt (D).
4. Igazítsa a nyélen lévő furatot a középső csavar furatához.
5. Húzza meg a középső csavart.
6. Egyenlő nyomatékkal húzza meg a két rögzítőcsavart.
7. Állítsa be a hátsó fogantyú pozícióját, majd húzza meg a két csavart (E).



### A nyél és a fogaskerékház összeszerelése

Az alábbi módon szerelje össze a nyelet és a fogaskerékházat:

1. Lazítsa ki a csavart (A), majd távolítsa el a csavart (B).
2. Helyezze a nyelet a fogaskerékházba. Ha a behelyezés nehézségbe ütközik, kissé forgassa el a bordás részt (C).
3. Igazítsa a nyélen lévő furatot a középső csavar (B) furatához.
4. Először húzza meg a (B) csavart, majd az (A) csavart.

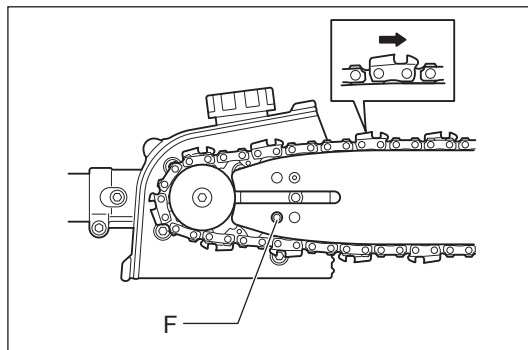
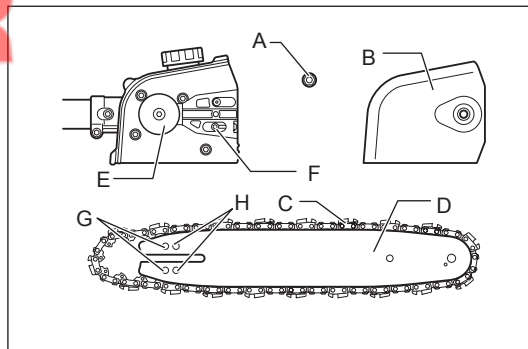


## A fűrészlánc és a láncvezető lap felszerelése

**VIGYÁZAT:** Ügyeljen arra, hogy a fűrészlánc, a láncvezető lap és a lánckerék mérete és osztása egymással megegyezzen.

A fűrészlánc és a láncvezető lap felszereléséhez az alábbi lépéseket végezze el:

1. Lazítsa ki a csavaranyát (A), majd vegye le a vezetőlap-tartót (B).
2. Illessze a fűrészláncot (C) a láncvezető lap (D) hornyába. Az illesztést a vezetőlap csúcsánál kezdje.
3. Illessze a fűrészláncot (C) a lánckerékre (E).
4. A láncvezető lapot (D) úgy szerelje fel, hogy a feszítő csavaranya (F) beilleszkedjen a láncvezető lapon található furatba (G). A furatok (H) nincsenek használatban.
5. Helyezze fel a vezetőlap-tartót (B), majd húzza meg szorosan a csavaranyát (A). Ezután fél fordulattal lazítsa fel a csavaranyát előzetes láncfeszesség-beállításként.
6. Állítsa be a láncfeszességet. Nézze át „A láncfeszesség beállítása” című fejezetet.



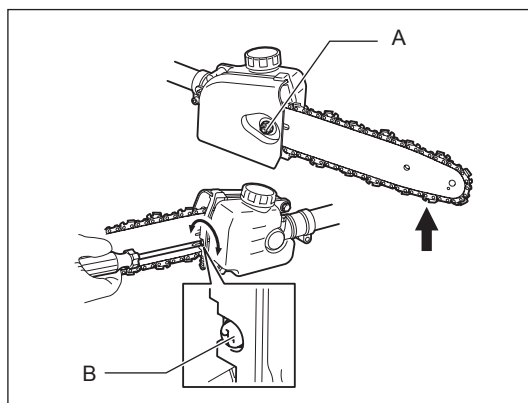
## A láncfeszesség beállítása

**VIGYÁZAT:**

- Mindig tartsa meg a megfelelő láncfeszességet. A laza lánc működés közben leugorhat. A túl nagy láncfeszesség a fűrészlánc és a láncvezető lap sérülését eredményezheti.
- Munkavégzés közben a láncfeszességet gyakran ellenőrizze. Munkavégzés közben a fűrészlánc nyúlik és lazává válik. Új fűrészlánc használatkor a láncfeszességet gyakrabban kell beállítani.

A láncfeszesség beállításához az alábbi lépéseket végezze el:

1. Fél fordulattal lazítsa meg az (A) jelű csavaranyát.
2. A vezetőlap csúcsát tartsa felfelé. A feszítőcsavart (B) addig forgassa az óramutató járásával megegyező irányba, míg a fűrészlánc szorosan be nem illeszkedik a láncvezető lap alsó részébe.
3. Fogja meg a fűrészláncot a láncvezető lap közepénél és emelje fel. A láncvezető lap és a fűrészlánc szíja közötti hézagnak körülbelül 3-4 mm-nek kell lennie. Ha a hézag ettől eltérő, enyhén fordítsa el a feszítőcsavart az óramutató járásával ellentétesen, és ismétlje meg a 2. lépést.
4. Erősen húzza meg a csavaranyát (A).
5. Ha szükséges, enyhén húzza meg a feszítőcsavart, hogy elkerülje annak leesését.



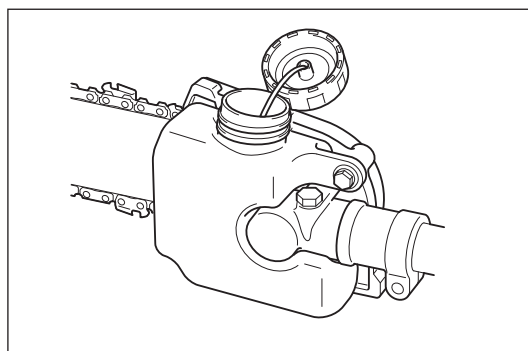
## Olajtartály feltöltése

Munkavégzés közben a fűrészláncot olajjal kell kenni. Üzemeltetés előtt tölts fel az olajtartályt. Az olaj betöltése után erősen húzza meg az olajtartályzáró sapkát. Kizárólag eredeti Makita lánckenő olajat használjon.

**FIGYELMEZTETÉS:**

- Soha ne használjon fáradt olajat. A fáradt olaj az olajszivattyú sérülését okozhatja.
- Olaj betöltésekor kerülje a poros munkakörnyezetet. A por és más idegen anyagok károsíthatják az olajadagoló rendszert.

Üzemeltetés közben mindig figyeljen az olajsziintre. Ha az olajsziint lecsökken, tölts fel a tartályt. A tartály körülbelül 40 percnyi üzemeltetés után fogy ki (a lánckenés beállításától függően).

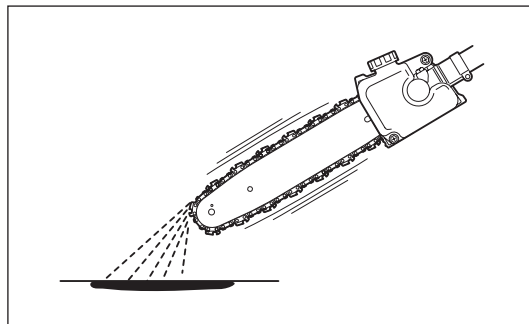
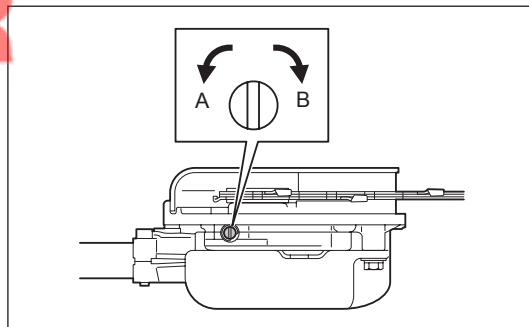


## A lánckenő olaj adagolásának beállítása

A lánckenő olaj adagolása három lépésben állítható. Az **üzemeltetéstől függően**, például kemény ágak vágásakor állítsa az adagolási mennyiséget.

A lánckenő olaj adagolásának beállításához használjon lapos csavarhúzózt. Nyomja be a szabályozó csavart, és forgassa el. A mennyiség növeléséhez forgassa el a szabályozó csavart az óramutató járásával ellentétesen **(A)**, az adagolás mennyiségének csökkentéséhez pedig az óramutató járásával megegyezően **(B)**.

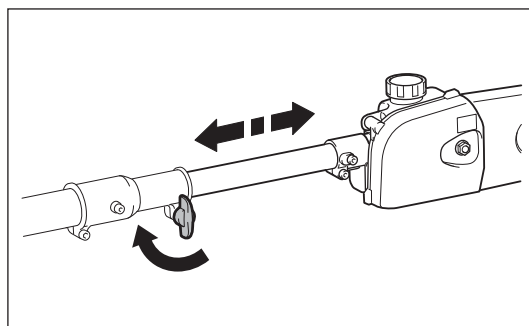
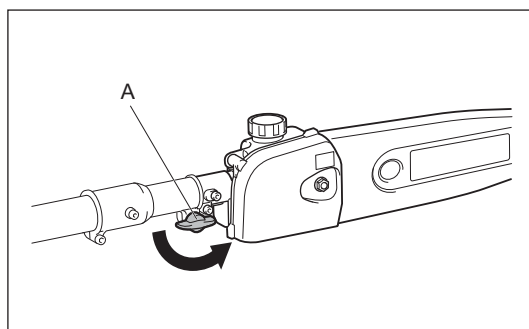
A lánckenő olaj adagolásának beállítása után ellenőrizze az adagolási mennyiséget a gép közepes fordulatszámán történő járatásával.



## A gallyfűrész hosszának beállítása

A gallyfűrész hosszát az alábbi módon állítsa be:

1. Forgassa el a gombot **(A)** az óramutató járásával ellentétes irányban.
2. Állítsa be a fűrész nyelének hosszát.
3. A fogaskerék fejének rögzítéséhez forgassa el a gombot az óramutató járásával megegyező irányba.



## Vállheveder

### A vállheveder beállítása

A művelet elvégzéséhez csatolja fel a megfelelő hosszúságú szíjat.

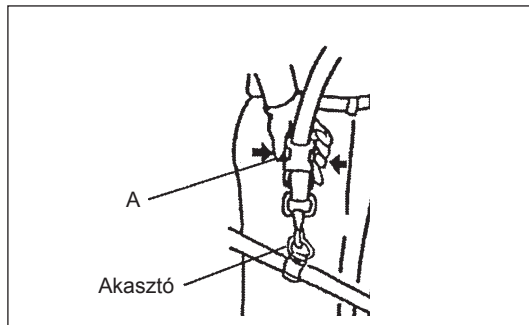
### Lecsatolás

Veszély esetén nyomja meg a két oldalon található bemélyedéseket **(A)**, majd csatolja le a gépet.

Legyen különösen óvatos ekkor, nehogy elveszítse a gép fölötti uralmat. Ne hagyja, hogy a gép maga felé vagy a munkakörnyezetben tartózkodó személyek felé dőljön.

**FIGYELEM:** A gép teljes irányításának elvesztése súlyos, akár HALÁLÓS SÉRÜLÉST okozhat.

Megjegyzés: Egyes országokban a vállhevederen nincs lecsatoló funkció.





## A motorolaj ellenőrzése és feltöltése

- A következő műveletet lehűlt motornál kell végezni.
- Állítsa a motort vízszintes helyzetbe, és vegye le az olajbetöltő sapkát (1. ábra), majd ellenőrizze, hogy az olaj szintje az olajcső felső és alsó határjelzései között helyezkedik-e el (2. ábra).
- Ha az olaj mennyisége nem elegendő (az olajsínt közel van az alsó szintjelzéshez), töltsön utána olajat a felső szintjelzésig (3. ábra).
- A külső jelzések körüli terület átlátszó, így a gépben levő olaj mennyisége a töltőnyílás sapka eltávolítása nélkül ellenőrizhető. Ha azonban az olajcső elszennyeződik, átlátszósága csökken, és az olajsíntet a csőben levő lépcsős részek segítségével kell ellenőrizni.
- Az olaj utántöltési periódusa körülbelül 10 óra (minden 10. újratöltésnél).  
Ha az olaj színe megváltozik vagy kosszal keveredik, cserélje le. (Az olajcsere periódusról és a csere módjáról lásd a 144. oldalt)

**Ajánlott olaj:** API besorolású SAE 10W-30 olaj, SF vagy magasabb osztályú (négyütemű gépjárműmotorokhoz)

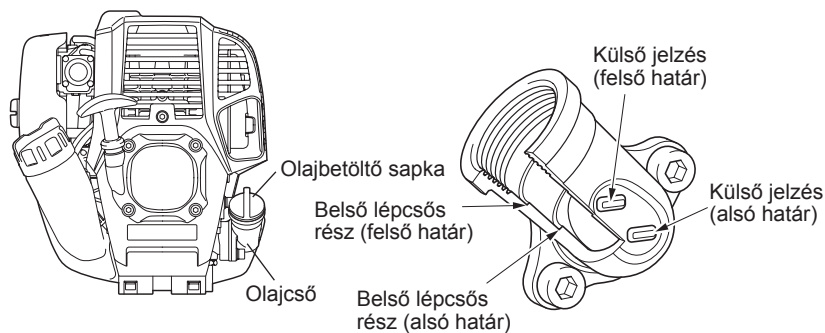
**Olajmennyiség:** Körülbelül 0,08 l

Megjegyzés: Ha a motor nem függőleges helyzetben áll, az olaj szétterül a motorban, és túltöltés történhet.

Túltöltés esetén az olaj elszennyeződik, vagy a kipufogógázba kerülve fehér füstölést okoz, és lángra kaphat.

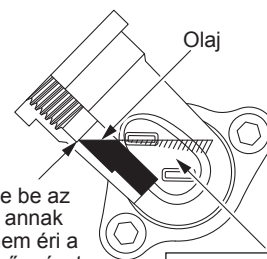
### Az olajcsere 1. pontja: „Olajbetöltő sapka”

- Távolítsa el a port vagy szennyeződést az olajbeöntő nyílás környezetéből, és vegye le az olajbetöltő sapkát.
- A levett sapkát tartsa homok- és pormentesen. Ellenkező esetben a sapkára tapadó homok vagy szennyeződés akadózó olajkeringést vagy motor alkatrészeinek kopását okozhatja, ami problémákat eredményezhet.



1. ábra

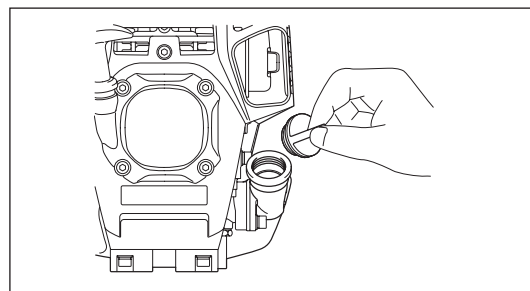
2. ábra Olajcső



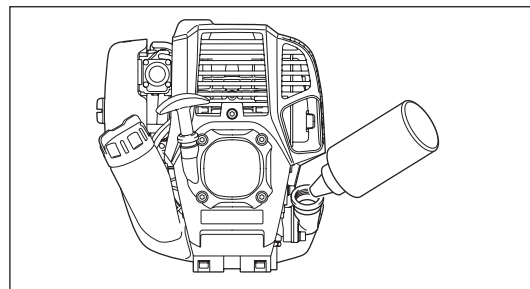
3. ábra

A gép külsején feltüntetett felső és alsó határok közötti terület átlátszó, így az olajsínt a jelzések között szemrevételezéssel ellenőrizhető.

- (1) Tartsa vízszintes a motort, és vegye le az olajbetöltő sapkát.



- (2) Töltse fel olajjal a felső jelzésig. (lásd a 3. ábrát)  
A feltöltést az olajos flakonból végezze.



- (3) Húzza meg kellően az olajbetöltő sapkát. Az elégtelen meghúzás olajszivárgást okozhat.

- Ne cseréljen olajat a motor megdöntött helyzetében.
- Ha a motor megdöntött helyzetében tölt be olajat, az olaj elszennyeződhet, és/vagy fehér füstölés léphet fel.

### Az olajcsere 2. pontja: „Ha az olaj kifröccsen”

- Ha az olaj az üzemanyagtartály és a motor főegység közé fröccsen, akkor az olajat beszívja a légszűrőház, és elszennyezi a motort. A használat megkezdése előtt törölje le a kifröccsent olajat.

## ÜZEMANYAG-BETÖLTÉS

### Az üzemanyag kezelése

Az üzemanyag kezelése különös odafigyelést igényel. Az üzemanyag oldószerekhez hasonló anyagokat tartalmazhat. Az üzemanyag-betöltést jól szellőző helyiségben vagy a szabadban kell elvégezni. Ne lélegezze be az üzemanyag gőzét, és tartsa távol magától az üzemanyagot. Ha hosszabb ideig vagy többször is érintkezik az üzemanyaggal, a bőr kiszárad, ami bőrbetegséget vagy allergiát okozhat. Az üzemanyag szembe kerülése esetén a szemet friss vízzel tisztítsa ki. Ha a szem irritációja továbbra is fennáll, forduljon orvoshoz. Az üzemanyag-betöltést ne végezze szürkületben vagy instabil felületen.

### Az üzemanyag tárolási ideje

Az üzemanyagot 4 héten belül el kell használni, még akkor is, ha jól szellőzött helyiségben egy speciális tárolóedényben tárolják. Speciális tárolóedény használata nélkül vagy nem letakart tárolóedényben az üzemanyag egy nap alatt elpárologhat.

### A GÉP TÁROLÁSA ÉS AZ ÜZEMANYAGTARTÁLY FELTÖLTÉSE

- A gépet és az üzemanyagtartályt hűvös, közvetlen napfénytől védett helyen tárolja.
- Az üzemanyagot soha tartsa a fülkében vagy a platón.

## Üzemanyag

A motor négyütemű motor. Ügyeljen rá, hogy csak autóbenzint használjon (normál vagy extra benzin).

### Az üzemanyagra vonatkozó előírások

- Ne használjon olyan benzinkeveréket ami motorolajat tartalmaz. Ellenkező esetben túlzott korom-felhalmozódás vagy mechanikai problémák léphetnek fel.
- Elhasználódott motorolaj használata problémákat okozhat az indításkor.

## Üzemanyag-betöltés

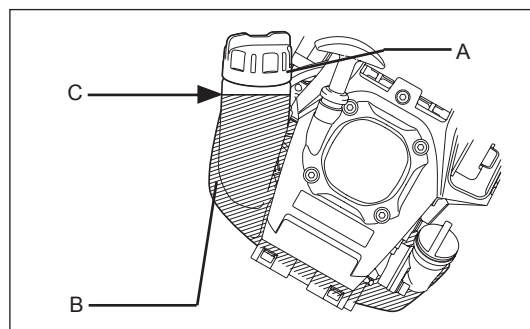
### FIGYELEM: ÉGHETŐ ANYAGOK HASZNÁLATA SZIGORÚAN TILOS

**VIGYÁZAT:** Az üzemanyag-betöltést követően ne feledje el lezárni az üzemanyagtartály-sapkát. Soha ne indítsa be a motort, ha az üzemanyagtartály-sapka nyitva van.

**A használt benzin:** Autóbenzin (ólommentes benzin)

1. Enyhén lazítsa meg az üzemanyagtartály-sapkát (A), hogy elkerülje az üzemanyag kifröccsenését.
2. Emelje le az üzemanyagtartály-sapkát. Döntse meg a motort úgy, hogy a betöltőnyílás felfelé nézzen.
3. Óvatosan végezze az üzemanyag-betöltést, és közben a levegőt engedje ki az üzemanyagtartályból (B). (Az üzemanyagot ne töltse a felső jelölés (C) fölé.)
4. Az idegen anyagok üzemanyagba való bejutásának elkerülése érdekében törölje le alaposan az üzemanyagtartály-sapka környékét.
5. Az üzemanyag-betöltés után megfelelően csavarja fel az üzemanyagtartály-sapkát.

- Ha bármilyen repedés vagy sérülés látható az üzemanyagtartály sapkáján, cserélje ki.
- Idővel a tanksapka elhasználódik. Cserélje ki 2–3 évente.



## VIGYÁZAT:

Tartsa be a vonatkozó baleset-megelőzési előírásokat!

## FIGYELMEZTETÉS:

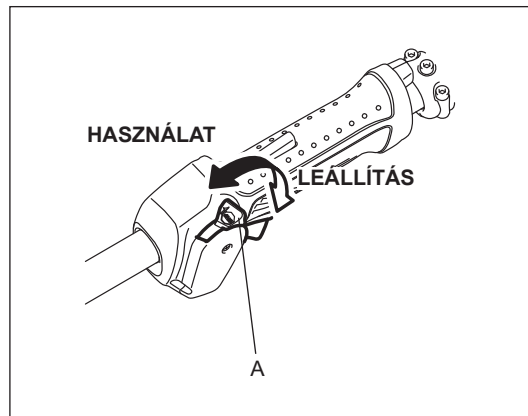
A motor beindítása előtt szerelje le a lánccvető lap burkolatát.

## INDÍTÁS

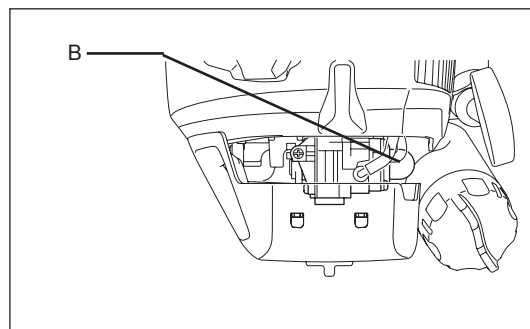
Távolodjon el legalább 3 méterre az üzemanyag-betöltés helyétől. A gépet tegye egy tiszta felületre a talajon, ügyelve arra, hogy a tartozék ne érjen a földhöz vagy más tárgyhoz.

### A: Hidegindítás

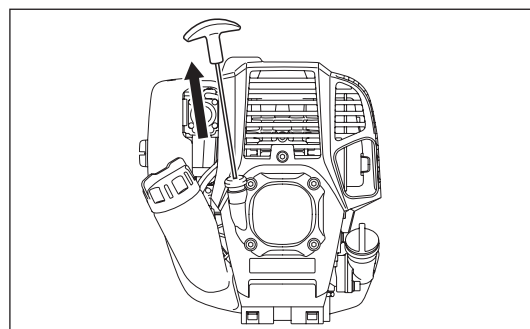
- 1) A gépet helyezze sík felületre.
- 2) Az I-O kapcsolót **(A)** állítsa HASZNÁLAT állásba.



- 3) Feltöltőpumpa  
Addig nyomkodja a feltöltőpumpát **(B)**, amíg az üzemanyag meg nem jelenik a pumpában.  
(A feltöltőpumpába az üzemanyag általában 7–10 benyomás után lép be.)  
A feltöltőpumpa túlzott nyomkodása esetén a felesleges benzin visszafolyik az üzemanyagtartályba.

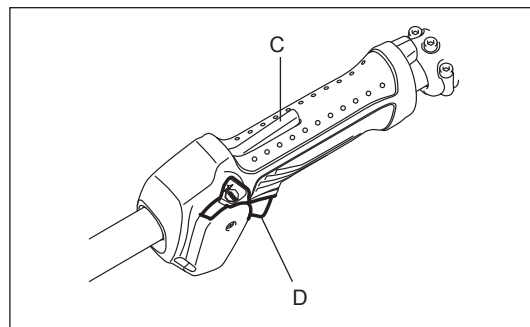


- 4) Berántószerkezet  
Óvatosan húzza a berántó fogantyút addig, amíg meg nem feszül (kompressziós pont). Ezután engedje vissza a fogantyút, és erősen húzza meg.  
Soha ne húzza ki teljesen a kötelet. Amikor kihúzta a berántó fogantyút, ne engedje ki azonnal a kezéből. Addig tartsa a berántó fogantyút, amíg vissza nem tér az eredeti pontba.



- 5) A fogantyún található reteszelő kar **(C)** megakadályozza a véletlenszerű indítást. A gázkar **(D)** meghúzásához fogja meg a fogantyút, és oldja ki a zárat (a reteszelő gomb kézi erővel megnyomható).

- 6) Bemelegítés  
A bemelegítést 2–3 percig folytassa.



Megjegyzés: Ha a motor túlszívta magát, csavarja ki a gyújtógyertyát, és lassan húzza meg az indítófogantyút a felesleges üzemanyag eltávolításához. Emellett a gyújtógyertya elektróda részét is szárítsa le.

## Figyeljen oda használat közben:

Ha a gázkar terhelésmentes használatkor teljesen nyitva van, a motor fordulatszáma 10000 min<sup>-1</sup> vagy magasabb lehet. Ne üzemeltesse a szükségesnél nagyobb fordulatszámon a motort, csak körülbelül 6000 - 8500 min<sup>-1</sup> értéken.



## B: Meleg motor beindítása

- 1) Többször nyomja be a feltöltőpumpát.
- 2) A gázkart tartsa alapjáratú pozícióban.
- 3) Erőteljesen húzza meg a berántó fogantyút.
- 4) Ha nehéz a motor beindítása, akkor adjon kb. 1/3 gázt.  
Figyeljen oda a tartozékra, mert forogni kezdhet.

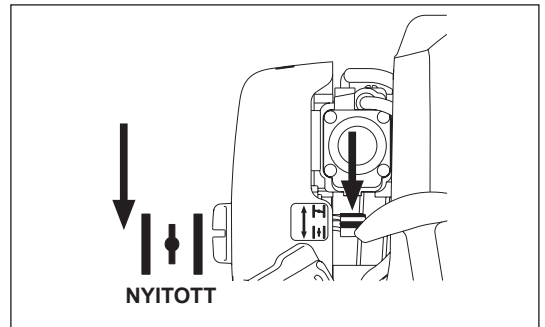
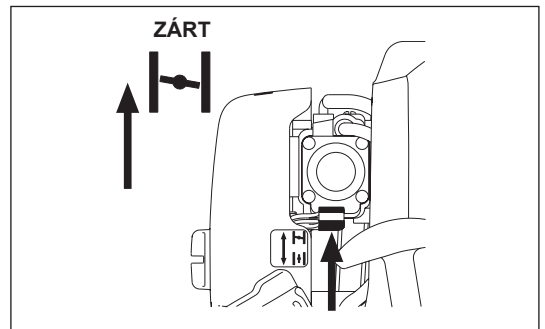
## Bizonyos időszakokban, például télen a motor indítása nehezebb

A motor indításakor a hidegindító szelep karját az alábbi módon működtesse:

- Az indítás 1–3. lépéseinek elvégzése után állítsa a hidegindító szelep ZÁRT helyzetbe.
- Végezze el az indítás 4. lépését, és indítsa be a motort.
- A motor beindulása után állítsa a hidegindító szelep karját NYITOTT helyzetbe.
- Végezze el az indítás 5. lépését, és melegítse be a motort.

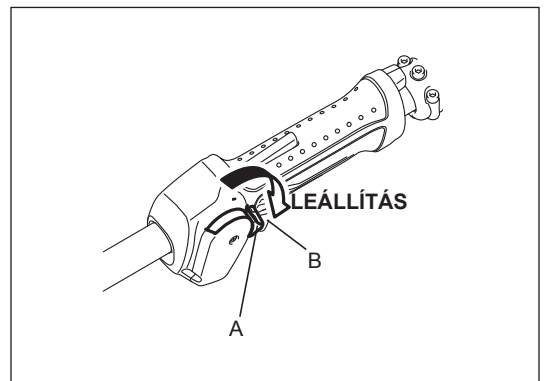
VIGYÁZAT: Amennyiben durrulás (robbanás) hallatszik, és a motor leáll, vagy az éppen beindult motor leáll a hidegindító szelep működtetése előtt, akkor állítsa vissza a hidegindító szelepet NYITOTT helyzetbe, majd húzza meg ismét néhányszor a berántó fogantyút a motor beindításához.

VIGYÁZAT: Ha a hidegindító szelep karját ZÁRT helyzetben hagyja és a berántó fogantyút többször meghúzza, akkor a motor túl sok üzemanyagot fog beszívni, és a motor indítása nehezebbé válik.



## LEÁLLÍTÁS

- 1) Teljesen engedje el a gázkart (B), és a motor fordulatszámának csökkenésekor állítsa az I-O kapcsolót (A) LEÁLLÍTÁS helyzetbe a motor leállításához.
- 2) Figyeljen oda, mert előfordulhat, hogy a tartozék nem áll meg azonnal, ezért várja meg, amíg teljesen leáll.

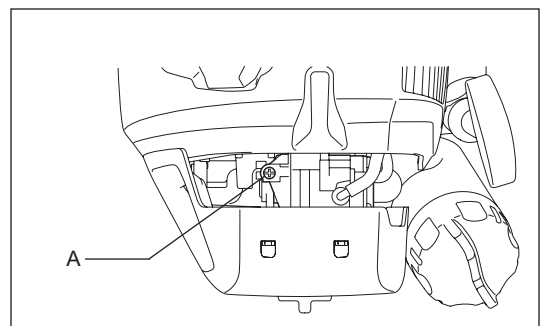


## AZ ALACSONY FORDULATSZÁM (ALAPJÁRAT) BEÁLLÍTÁSA

Amikor be kell állítani az alacsony fordulatszámot (alapjáratot), a karburátor szabályozó csavarjával (A) végezze el a műveletet.

## AZ ALACSONY FORDULATSZÁM ELLENŐRZÉSE

- Állítsa be az alacsony fordulatszámot 3000 min<sup>-1</sup> értékre.  
Ha állítani kell a fordulatszámot, forgassa el a szabályozó csavart egy csillagfejű csavarhúzóval.
- A szabályozó csavart jobbra forgatva a fordulatszám nő. A szabályozó csavart balra forgatva a motor fordulatszáma csökken.
- A karburátor általános beállítása már a gyárban megtörtént. Ha újra be kell állítani a fordulatszámot, lépjen kapcsolatba egy hivatalos szervizközponttal.

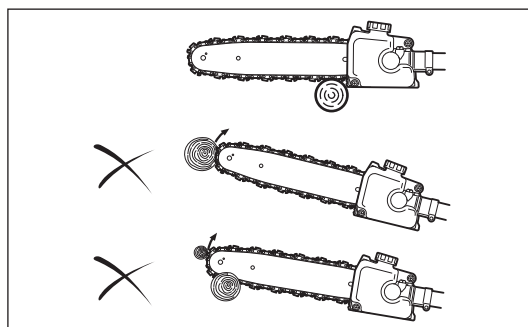
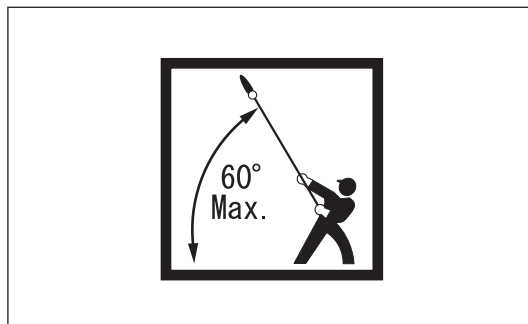


## Álló helyzet

- Stabil felületen álljon meg. A vízszintes talajhoz képest a gallyfűrész 60°-os szögben tartsa.
- Először az alsó ágakat vágja le, hogy az ágak könnyebben le tudjanak esni.
- Mindig hagyjon menekülő útvonalat arra az esetre, ha az ágak a kezelő felé esnének le.

## Eljárás

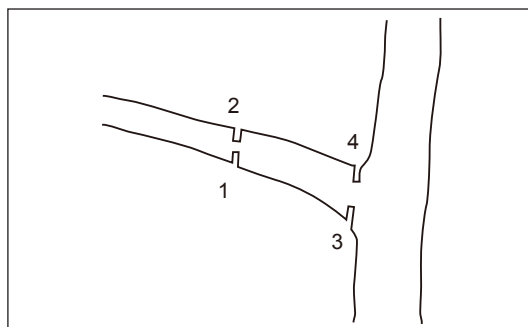
- Indítsa be a motort, és húzza meg a gázkart, amíg a fűrészlánc el nem éri a teljes sebességet.
- Enyhén nyomja a fűrészláncot az ágra. Ne erőltesse a gépet, mert ez a készülék károsodását okozhatja.
- Soha ne használja fűrészelésre a láncvezető lap hegyét. Ellenkező esetben a gép veszélyes visszarúgást okozhat, és ez személyi sérüléshez vezethet.



## Tippek vastag ágak vágásához

Amikor vastag ágakat vág, alkalmazza az alábbi eljárást.

1. Végezzen egy apró bevágást az ág alsó felén ahhoz a ponthoz közel, ahol vágni szeretne.
2. Az ágot a bejelölés fölött az ág felső részén kezdje el vágni.
3. Végezzen még egy apró bevágást az ág alsó felén azon a ponton, ahol vágni szeretne.
4. Vágja le az ágot felülről azon a ponton, ahol vágni szeretne.



# KARBANTARTÁSI UTASÍTÁSOK

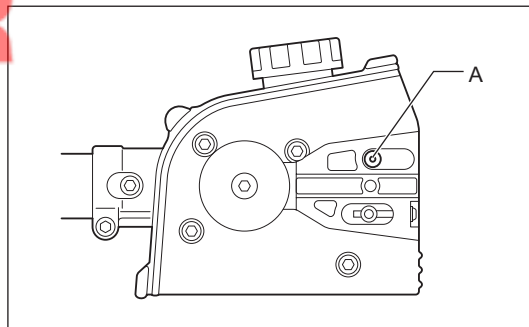
**VIGYÁZAT:** A gépen végzett munka előtt minden esetben le kell állítani a motort, és le kell húzni a gyújtókábelt (lásd „A gyújtógyertya ellenőrzése” című fejezetet).  
 Mindig viseljen védőkesztyűt!  
 A gépet ellenőrzéskor vagy karbantatáskor mindig tegye le a talajra. A gép függőleges helyzetben történő összeszerelése vagy beállítása súlyos sérüléssel végződhet.  
 A gép szervizelésekor mindig helyezze fel a láncvezető lap burkolatát.  
 A gép hosszú élettartama és a berendezés károsodásának megelőzése érdekében szabályos időközönként el kell végezni a következő szervizműveleteket.

## Napi ellenőrzés és karbantartás

- Használat előtt ellenőrizze, hogy nincsenek-e a gépen meglazult csavarok, vagy nem hiányoznak-e alkatrészek. Fordítson különös figyelmet a jóváhagyott tartozék biztonságos felszerelésére.
- Használat előtt mindig ellenőrizze a hűtőlevegő járatok és a henger hűtőbordáinak tisztaságát. Tisztítsa ki azokat szükség szerint.
- Végezze el az alábbi műveleteket naponta, használat után:
  - Tisztítsa meg a gép külsejét, és ellenőrizze, hogy nincsenek-e rajta sérülések.
  - Tisztítsa meg a légszűrőt. Ha különösen poros környezetben használja a gépet, naponta többször tisztítsa a légszűrőt.
  - Ellenőrizze, hogy elegendő az eltérés az alapjárat és az üzemi fordulatszám között ahhoz, hogy a tartozék ne kezdjen el működni alapjáraton (szükség esetén csökkentse az alapjárat fordulatszámot).  
 Ha a tartozék alapjáraton is működik, forduljon a legközelebbi hivatalos szervizhez.
- Ellenőrizze a I-O kapcsolót, a reteszelő kar és a gázadagoló kar működését.

## A lánckenő olaj adagolónyílásának tisztítása

A lánckenő olaj adagolónyílását (A) naponta tisztítsa. Szerelje le a vezetőlap tartót és a láncc vezető lapot, hogy hozzáférhessen a nyíláshoz.

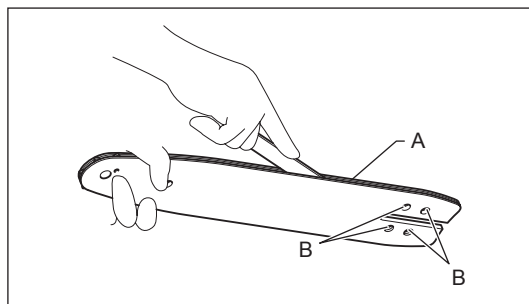


## A láncc vezető lap tisztítása és vizsgálata

A láncc vezető lapot naponta tisztítsa. Távolítsa el a vágásból származó port a horonyból (A) és a lánckenő olaj adagolónyílásból (B).

A láncc vezető lap egyoldalú kopásának elkerülése érdekében a fűrészlánc minden cseréjekor vagy élézésekor fordítsa meg a láncc vezető lapot.

Ha a láncc vezető lap hornya kopott, hajlott, repedt vagy deformálódott, cserélje ki.



## A fűrészlánc ellenőrzése

Ha azt tapasztalja, hogy a fűrészlánc kopott, deformálódott, repedt, vagy a vágáshoz több erőt kell kifejteni, akkor cserélje ki, vagy élézéséért forduljon a Makita hivatalos szervizközpontjához.

## Mozgó alkatrészek kenése

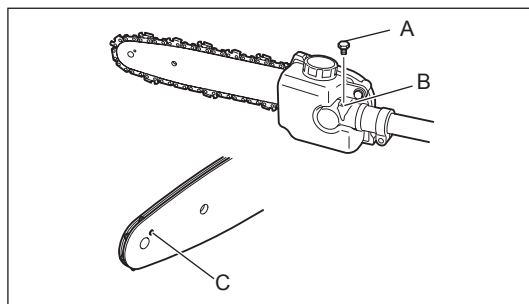
**FIGYELMEZTETÉS:** Tartsa be a zsír mennyiségére és a kenés gyakoriságára vonatkozó utasításokat. Ellenkező esetben az elégtelen kenés miatt a mozgó alkatrészek sérülhetnek.

Fogaskerékház:

Távolítsa el a zsírzógombot (A), és 25 üzemóránként töltsön lítiumbázisú kenőzsírt a zsírzónyíláson (B) keresztül.

A láncc vezető lap csúcsa:

Minden 10 üzemóra után juttasson (Shell Alvania 2 minőségű vagy azzal egyenértékű) kenőzsírt a zsírzószembe (C).



## A MOTOROLAJ CSERÉJE

Az elhasználódott motorolaj nagymértékben csökkenti a csúszó és forgó alkatrészek élettartamát. Figyeljen oda a csereperiódusra és a mennyiségre.



**FIGYELEM:** A motor leállítása után a motor főegysége és a motorolaj forró marad. Az olajcsere előtt ellenőrizze, hogy a motor főegység és a motorolaj eléggé lehűlt. Ellenkező esetben leforrázhatja magát.

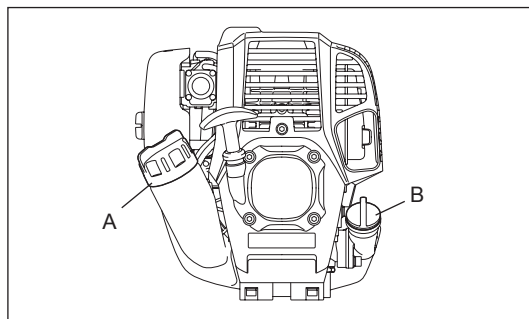
**Megjegyzés:** Ha az olajsint a felső határ fölött van, az olaj szennyeződhet lehet vagy fehér füst kíséretében meggyulladhat.

**Csereintervallum:** Kezdetben minden 20 üzemóránként, majd minden 50 üzemóránként

**Ajánlott olaj:** API besorolású SAE 10W-30 olaj, SF vagy magasabb osztályú (négyütemű gépjárműmotorokhoz)

A cseréhez a következőket műveleteket végezze el.

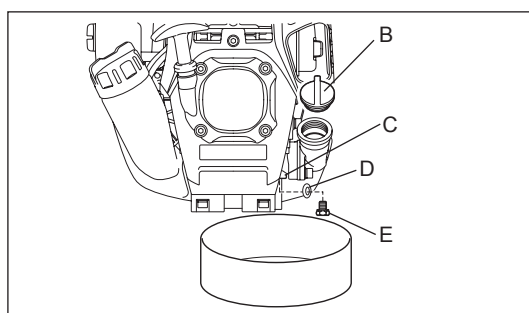
- 1) Győződjön meg arról, hogy az üzemanyagtartály-sapkát (A) szorosan rögzítve van.
- 2) Helyezzen egy nagy tárolóedényt (tálcat stb.) a leeresztőnyílás (C) alá.



- 3) Távolítsa el a leeresztőcsavart (E), majd vegye le az olajbetöltő sapkát (B) az olaj leürítéséhez a leeresztőnyíláson át. Ügyeljen arra, hogy ne vesszen el a csavarok tömítése (D), és ne legyenek szennyezettek a leszerelt alkatrészek.

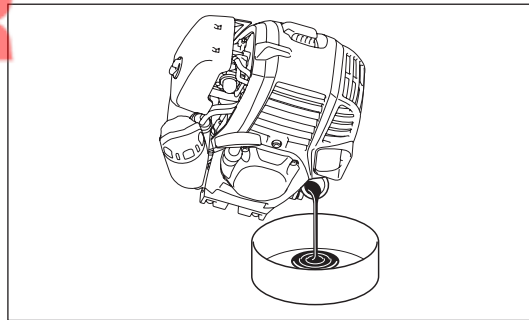
- 4) Amikor az összes olajat leengedte, helyezze a tömítést a leeresztőcsavarra, és húzza meg a csavart olyan szorosan, hogy ne lazuljon meg és megfelelően tömítsen.

\* Egy ruhával teljesen törölje le a csavarra és a motorra került olajat.

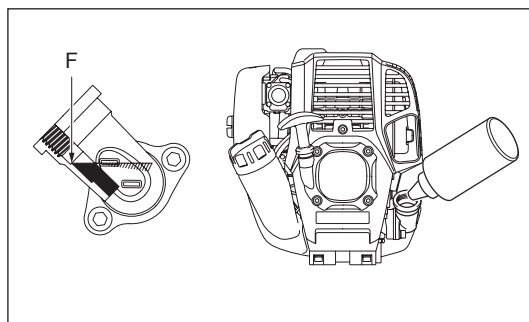
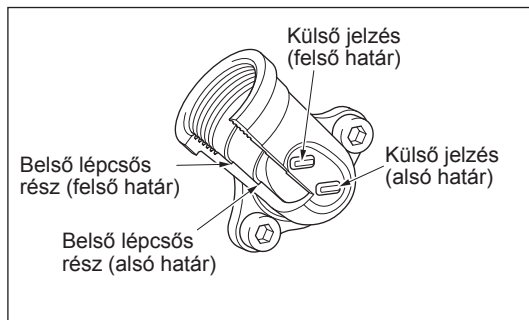


#### Alternatív leeresztési módszer

Vegye le az olajbetöltő sapkát, döntse meg a gépet az olajbetöltő nyílás felé, és engedje ki az olajat.  
Az olajat fogja fel egy edénybe.



- 5) Állítsa a motort vízszintes helyzetbe, és fokozatosan töltse bele az új olajat a felső szintjelzésig (F).
- 6) A feltöltés után húzza meg szorosan az olajbetöltő sapkát, hogy ne lazulhasson le, ezzel szivárgást okozva.  
Ha az olajbetöltő sapka nem elég szoros, szivárgást okozhat.



#### AZ OLAJRA VONATKOZÓ ELŐÍRÁSOK

- A lecserélt olajat soha ne öntse a szemébe, a földre vagy a szennyvízcsatornába. Az olaj megsemmisítését a törvény szabályozza. Ártalmatlanításkor mindig kövesse a vonatkozó törvényeket és szabályozásokat. Ha bármilyen kérdése van, lépjen kapcsolatba a hivatalos szervizzel.
- Az olaj használaton kívül is elhasználódik. Rendszeres időközönként végezzen átvizsgálást és cserét (6 havonta cserélje le az olajat).



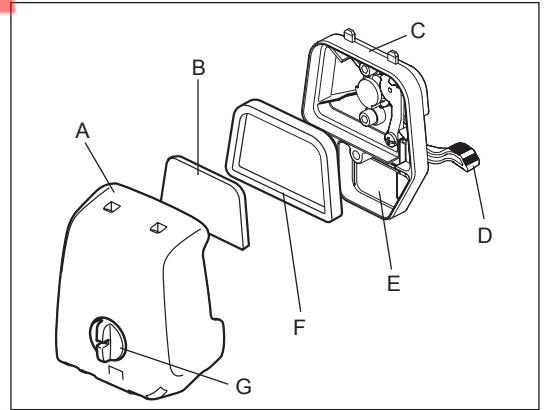
## A LÉGSZŰRŐ TISZTÍTÁSA



**VESZÉLY: ÉGHETŐ ANYAGOK HASZNÁLATA SZIGORÚAN TILOS**

**Tisztítási és átvizsgálási intervallum: Naponta (10 üzemóránként)**

- A hidegindító szelep **(D)** fordítsa teljesen zárt állásba, és a karburátort tartsa portól és kosztól mentesen.
- Lazítsa meg a rögzítőcsavart **(G)**.
- Távolítsa el a légszűrőház burkolatát **(A)** az alsó felületének húzásával.
- Vegye ki a betéteket **(B) (F)**, és a kosz eltávolításához ütögesse meg őket.
- Ha a betétek nagyon szennyezettek:  
Vegye ki a betéteket, merítse meleg vízbe vagy vízzel hígított semleges tisztítószerbe, végül teljesen szárítsa ki őket. Ne nyomja vagy karcolja össze őket mosás közben.
- A betétek behelyezése előtt győződjön meg róla, hogy teljesen megszáradtak. A nem teljesen megszáradt betét nehézkes indítást okozhat.
- A légszűrőház burkolata és a beszívónyílás **(E)** köré tapadt olajat ronggyal törölje fel.
- Illessze a betétet (szivacs) **(B)** a másik betétre (filc) **(F)**.  
Helyezze a betéteket a tálcára **(C)** úgy, hogy a szivacs a légszűrőház burkolata felé nézzen.
- Azonnal szerelje fel a légszűrőház burkolatát, és rögzítse a rögzítőcsavarokkal. (Az összeszereléskor először a felső karmot, majd az alsó karmot tegye fel.)



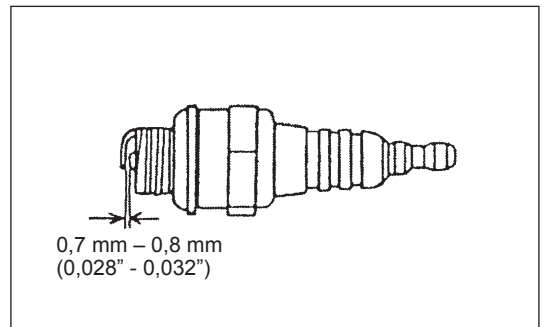
### FIGYELMEZTETÉS:

- Túl sok por felhalmozódása esetén naponta többször tisztítsa a betéteket. A koszos betétek csökkentik a motor teljesítményét, és nehezítik annak beindítását.
- Távolítsa el az olajat a betétekről. Ha továbbra is olajjal szennyezett betétekkel működteti a gépet, a légszűrőben lévő olaj kifolyhat, ami környezetszennyezést okozhat.
- Ne tegye a betéteket a földre vagy poros helyre. Ha így tesz, szennyeződést vagy törmelékot szedhetnek fel, és ez károsíthatja a motort.
- Soha ne használjon üzemanyagot a betétek tisztításához. Az üzemanyag károsíthatja azokat.

## A GYÚJTÓGYERTYA ELLENŐRZÉSE

- A gyújtógyertya eltávolításához vagy beszereléséhez csak a mellékelt univerzális kulcsot használja.
- A gyújtógyertya két elektródája közötti hézagnak 0,7-0,8 mm-nek kell lennie. Ha a hézag túl nagy vagy túl kicsi, állítsa be. Ha a gyújtógyertya szennyezett vagy eltömődött, alaposan tisztítsa ki vagy cserélje ki.

**VIGYÁZAT:** Működő motornál ne érjen a gyújtáskábelhez (nagyfeszültségű áramütés veszélye).



## AZ ÜZEMANYAGSZŰRŐ TISZTÍTÁSA

### FIGYELEM: ÉGHETŐ ANYAGOK HASZNÁLATA SZIGORÚAN TILOS



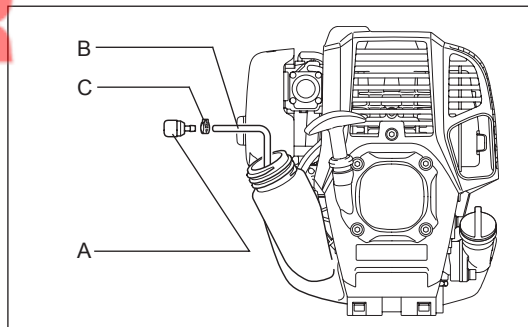
Tisztítási és átvizsgálási intervallum: Havonta (50 üzemóránként)

#### Az üzemanyagtartályban lévő szívófej

Rendszeresen ellenőrizze az üzemanyagszűrőt (A). Az üzemanyagszűrő ellenőrzéséhez kövesse az alábbi lépéseket.

- (1) Vegye le az üzemanyagtartály-sapkát, és engedje le teljesen az üzemanyagtartály tartalmát. Ellenőrizze, hogy a tartály belseje idegen anyagoktól mentes-e. Ha nem, távolítsa el azokat.
- (2) Egy drótkampó segítségével húzza ki a szívófejet az üzemanyagtartály nyílásán át.
- (3) Ha az üzemanyagszűrő eltömődött egy kicsit, tisztítsa ki. A tisztításhoz óvatosan rázza és mártsa üzemanyagba. A sérülések elkerülése végett ne nyomja vagy dörzsölje össze. A tisztításhoz használt üzemanyagot az adott ország megfelelő hulladékkezelési módszerei szerint kell ártalmatlanítani. Ha az üzemanyagszűrő nehéz lesz vagy nagyon eltömődik, cserélje ki.
- (4) Az üzemanyagszűrő ellenőrzése, tisztítása vagy cseréje után helyezze az alkatrészt az üzemanyagcsőbe (B), majd rögzítse a tömítőbilincssel (C). Az üzemanyagszűrőt teljesen nyomja az üzemanyagtartály aljáig.

Az eltömődött vagy sérült üzemanyagszűrő nem megfelelő üzemanyag-ellátást okozhat, és csökkentheti a motor teljesítményét. A karburátor megfelelő üzemanyag-ellátásának biztosítására legalább negyedévenként cserélje ki az üzemanyagszűrőt.



#### AZ ÜZEMANYAGCSŐ CSERÉJE

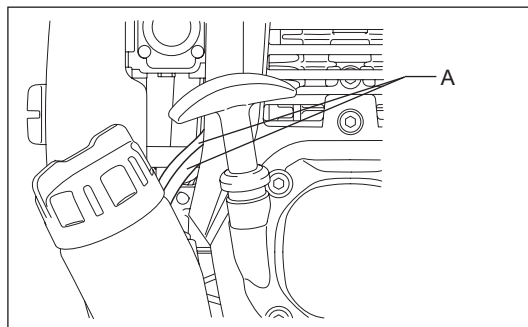
### VIGYÁZAT: ÉGHETŐ ANYAGOK HASZNÁLATA SZIGORÚAN TILOS

Tisztítási és átvizsgálási intervallum: Naponta (10 üzemóránként)

Csere: Évente (200 üzemóránként)

Az üzemanyagcsövet (A) a gép használatától függetlenül minden évben cserélje ki. Az üzemanyag-szivárgás tüzet okozhat.

Ha átvizsgáláskor bármilyen szivárgást észlel, azonnal cserélje ki az üzemanyagcsövet.



#### CSAVAROK ÉS CSAVARANYÁK ÁTVIZSGÁLÁSA

- Húzza meg a meglazult csavarokat, csavaranyákat stb.
- Keressen olaj- és üzemanyag-szivárgást.
- A biztonságos használatához a sérült alkatrészeket cserélje újakra.

#### AZ ALKATRÉSZEK TISZTÍTÁSA

- A motort mindig tartsa tisztán.
- A henger bordáit tartsa tisztán, portól vagy szennyeződéstől mentesen. A bordákra tapadt por vagy szennyeződés a dugattyú beszorulását okozhatja.

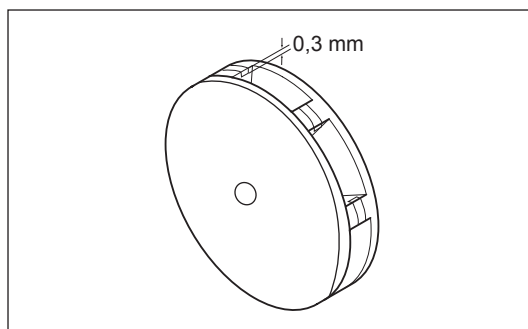
#### A TÖMÍTÉSEK ÉS A TÖMÍTŐGYŰRŰK CSERÉJE

A motor szétszerelését követő összeszereléskor ügyeljen rá, hogy a tömítőgyűrűket és a tömítéseket újakra cserélje.

Az olyan karbantartási munkákat, amelyeket a kezelési utasítás nem tartalmaz, és nincsenek benne leírva, csak a hivatalos szerviz végezheti el.

#### A LÁNCKERÉK ELLENŐRZÉSE

Minden 50 üzemóra után ellenőrizze a lánckerék állapotát. Cserélje ki, ha a kopás mértéke eléri vagy meghaladja a 0,3 millimétert.



## A fűrészlánc élezése



### Élezze meg a fűrészláncot, ha:

- Lisztszerű fűrészpor képződik nedves fa vágásakor;
- A lánc nehezen hatol be a fába, még ha erős nyomást alkalmaznak is;
- A vágóélen látható sérülések vannak;
- A fűrész balra vagy jobbra húz a fában. Az ilyen viselkedés oka a fűrészlánc egyenetlen élezése, vagy csak az egyik oldal sérülése.

### Gyakran élezze a fűrészláncot, de mindig csak egy kevés anyagot távolítson el.

Két vagy három húzás egy reszelővel általában elegendő a szokásos újraélezéshez. Miután a fűrészláncot többször újraélezte, éleztesse meg egy MAKITA szakszervizben.

### Az élezés feltételei:

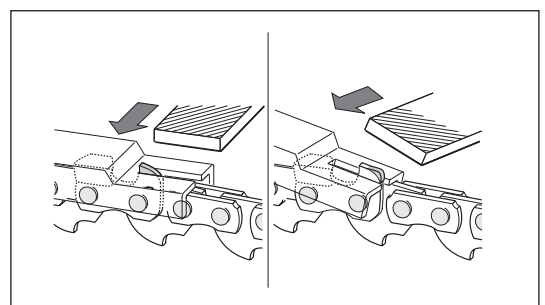
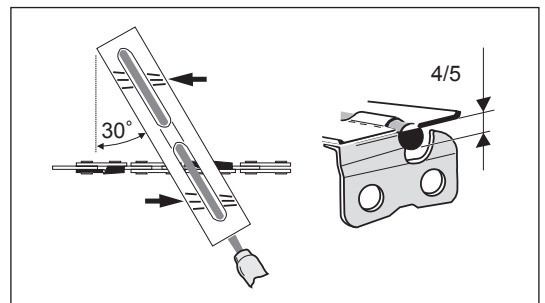
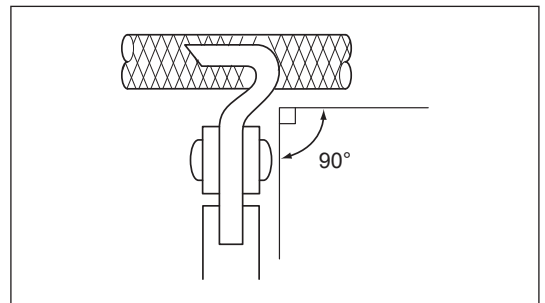
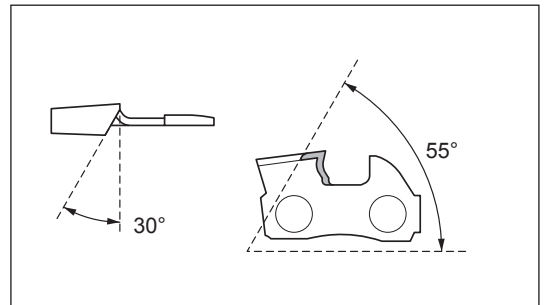
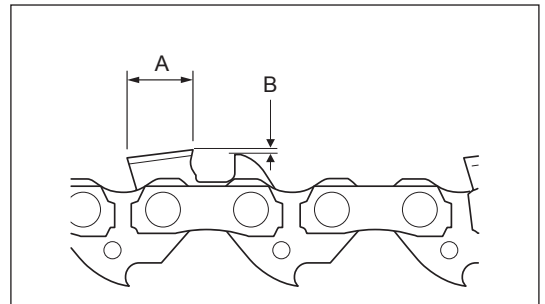
- Minden vágóélnak (**A**) egyenlő hosszúságúnak kell lennie. Az eltérő méretű vágószemek meggátolják a lánc sima futását, és a lánc szakadását okozhatják.
- A forgács vastagságát a mélységmérő (kerek nyúlvány) és a vágóél (**B**) közötti távolság határozza meg.
- A legjobb eredmény akkor érhető el, ha a vágóél és a mélységmérő közötti alábbi távolságértékeket használja.  
Láncél 91VXL: 0,64 mm

**⚠ FIGYELEM:** A túl nagy távolság növeli a visszarúgás kockázatát.

- Az élezési szögnek  $30^\circ$ -osnak kell lennie minden vágószem esetében. Ha a szögek eltérőek, akkor a lánc futása akadozó és egyenetlen lesz, a kopás megnő és a lánc elszakadhat.
- A vágószem oldallapjának szögét a kerek reszelő behatolási mélysége határozza meg. Ha a reszelőt megfelelően használják, akkor az oldallap szöge automatikusan a szükséges mértékűvé válik.
- Az egyes fűrészláncok megfelelő szöge a következő:  
Láncél 91VXL:  $55^\circ$

### Reszelő és a reszelő vezetése

- A fűrészláncok élezéséhez speciális kerek reszelőt (opcionális kiegészítő) használjon. A normál kerek reszelők nem megfelelőek.
- A különböző fűrészláncokhoz használható kerek reszelők átmérője a következő:  
Láncél 91VXL: 4,0 mm
- A reszelőt csak az előretolásakor kell a vágóélen elhúzni. Visszahúzásakor emelje fel a reszelőt a vágóélről.
- Először a legrövidebb vágószemet élezze meg. Ennek a legrövidebb fognak a hossza lesz azután a típusméret a fűrészlánc összes többi vágófogához.
- A reszelőt az ábrán látható módon vezesse.
- A reszelőt könnyebb mozgatni, ha reszelőfogót (opcionális kiegészítő) használ. A reszelőfogón meg van jelölve a helyes,  $30^\circ$ -os élezési szög (a jelzéseket igazítsa a fűrészláncsal párhuzamosan) és korlátozva van a behatolási mélység (a reszelő átmérőjének  $4/5$ -ére).
- A lánc megélezése után ellenőrizze a mélységmérő magasságát a láncellenőrző eszközzel (opcionális kiegészítő).
- Távolítsa el az esetleges sorját, bármilyen kevés is legyen az, egy speciális lapos reszelővel (opcionális kiegészítő).
- Újból kerekítse le a mélységmérő elülső részét.



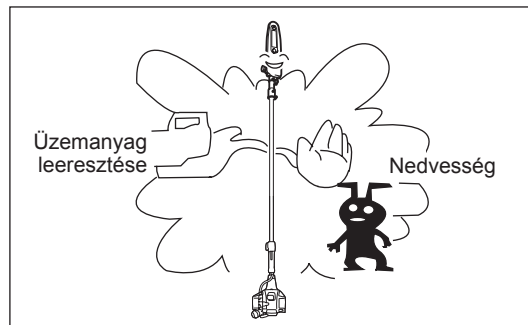


**FIGYELEM:** Az üzemanyag leeresztésekor mindig állítsa le a motort, és ellenőrizze, hogy a motor le van-e hűlve.

**A motor leállítása után közvetlenül a motor forró marad. Várja meg, amíg a motor lehül, ellenkező esetben égési sérüléseket szenvedhet, vagy tűz keletkezhet.**

Amikor a gépet huzamosabb ideig nem használja, végezze el az alábbi lépéseket:

- A következő eljárás szerint öntse ki az üzemanyagot az üzemanyagtartályból és a karburátorból:
  - 1) Vegye le az üzemanyagtartály-sapkát, és teljesen eressze le az üzemanyagot. Ha bármilyen idegen anyag maradt az üzemanyagtartályban, távolítsa el.
  - 2) Egy dróttal húzza ki az üzemanyagszűrőt a betöltőnyíláson át.
  - 3) Addig nyomkodja a feltöltőpumpát, amíg ki nem folyik belőle az üzemanyag, vissza az üzemanyagtartályba.
  - 4) Tegye vissza az üzemanyagszűrőt, és erősen húzza meg a tanksapkát.
  - 5) Ezután addig járassa a motort, amíg le nem áll.
- Engedje le a láncolajat.
- Távolítsa el a fűrészláncot és a láncvezető lapot.
- Tisztítsa meg a láncvezető lap terelőhornyát.
- Finoman kenje meg a fűrészláncot és a láncvezető lapot.
- Vegye ki a gyújtógyertyát, majd a gyújtógyertya nyílásába cseppentsen néhány csepp motorolajat.
- Finoman húzza meg a berántó fogantyút, így a motorolaj szétterjed a motorban, ezután és tegye vissza a gyújtógyertyát.
- A gépet általában vízszintes helyzetben tárolja. Ha ez nem lehetséges, akkor úgy helyezze el a gépet, hogy a motor a vágószerszám alatt legyen. Ellenkező esetben a motorolaj szívároghat belülről.
- Mindig ügyeljen rá, hogy biztonságos helyen tárolja a gépet, hogy megelőzze annak károsodását vagy a személyi sérülést.
- A kiöntött üzemanyagot egy speciális tartályban tartsa, jól szellőztetett helyiségben.



### Figyelem a hosszabb idejű tárolást követően

- Hosszabb idejű tárolást követően a beindítás előtt cserélje le az olajat (lásd: „A MOTOROLAJ CSERÉJE”). Az olaj használaton kívül is elhasználódik.

### Hibakeresés

Hiba	Rendszer	Hibajelenség	Ok
A motor nehezen, vagy nem indul	Gyújtásrendszer	Gyújtószikra rendben.  Nincs gyújtószikra	Hiba az üzemanyag-ellátásnál vagy a sűrítésnél, mechanikus meghibásodás  A LEÁLLÍTÁS kapcsolót működtették, vezetékszakadás vagy rövidzárlat, a gyújtógyertya vagy a gyújtáskábel hibás, gyújtásmodul meghibásodása
	Üzemanyag-ellátás	Az üzemanyagtartály fel van töltve	Helytelen a hidegindító szelep beállítása, a karburátor meghibásodott, az üzemanyag-továbbító csőrendszer elhajlott vagy eltömődött, szennyezett az üzemanyag
	Kompresszió	Berántáskor nem érezhető kompresszió	A henger alsó tömítése hibás, sérült a főtengely tömítése, a henger vagy a dugattyúgyűrűk hibásak, a gyújtógyertya tömítése nem megfelelő
	Mechanikus hiba	Az indítórendszer nem forgat	Törött az indítórendszer rugója, törött alkatrészek a motor belsejében
Melegindítási problémák		Az üzemanyagtartály fel van töltve, gyújtószikra rendben	Eltömődött karburátor, tisztítást igényel
A motor beindul, de azután lefullad	Üzemanyag-ellátás	Az üzemanyagtartály fel van töltve	Az alapjárat beállítása rossz, eltömődött a karburátor  Az üzemanyagtartály szellőzőnyílása eltömődött, az üzemanyag-továbbítás megszakadt, kábel vagy LEÁLLÍTÁS kapcsoló meghibásodása
Elégtelen teljesítmény	Egyszerre több rendszer lehet érintett	Gyenge a motor alapjárata	Eltömődött a légszűrő, eltömődött a karburátor, eltömődött a hangtompító, a henger kipufogónyílása eltömődött



Elem	Használati idő	Üzemeltetés előtt	Kenés után	Naponta (10 ó)	25 ó	50 ó	200 ó	Leállítás/lehelyezés
Teljes gép	Szemrevételezéssel ellenőrizze	<input type="radio"/>						
Motorolaj	Átvizsgálás	<input type="radio"/>						
	Cserélje ki					<input type="radio"/> *1		
Alkatrészek meghúzása (csavar, csavaranya)	Átvizsgálás	<input type="radio"/>						
Üzemanyagtartály	Átvizsgálás	<input type="radio"/>						
	Üzemanyag leeresztése							<input type="radio"/> *3
Gázkar	Működés ellenőrzése	<input type="radio"/>	<input type="radio"/>					
Leállítás kapcsoló	Működés ellenőrzése	<input type="radio"/>	<input type="radio"/>					
Üresjárat fordulatszám	Átvizsgálás/beállítás			<input type="radio"/>				
Légszűrő	Tisztítsa meg			<input type="radio"/>				
Gyújtáskábel	Átvizsgálás			<input type="radio"/>				
Hűtőlevegő csatorna	Tisztítás/átvizsgálás			<input type="radio"/>				
Üzemanyagcső	Átvizsgálás			<input type="radio"/>				
	Cserélje ki						<input type="radio"/> *2	
Üzemanyagszűrő	Tisztítás/csere					<input type="radio"/>		
Szelephézag (szívószelep és kipufogószelep)	Átvizsgálás/beállítás						<input type="radio"/> *2	
Motor generáljavítása							<input type="radio"/> *2	
Karburátor	Üzemanyag leeresztése							<input type="radio"/> *3
A láncolajzó adagolónyílása	Tisztítsa meg			<input type="radio"/>				
Láncvezető lap	A lap hornyának és a lánckenő olaj adagolónyílásának tisztítása			<input type="radio"/>				
	Átvizsgálás			<input type="radio"/>				
	Zsírzás			<input type="radio"/>				
Fogaskerékház	Zsírzás				<input type="radio"/>			
Lánckerék	Átvizsgálás					<input type="radio"/>		
Fűrészlánc	Cserélje ki vagy éleztesse meg							<input type="radio"/> *4

\*1 Az első cserét 20 üzemóra után végezze el.

\*2 A 200 üzemórát követő vizsgálatot hivatalos szervizközpontban végeztesse el.

\*3 Az üzemanyagtartály leürítése után folytassa a motor működtetését, és ürítse le a karburátorban levő üzemanyagot.

\*4 Ha szükséges.

## HIBAELHÁRÍTÁS



Mielőtt a gép javítását kéri, próbálja megállapítani a hibát. Ha bármilyen szokatlan dolgot észlelt, a kézikönyvben leírtak szerint irányítsa a gépet. Soha ne nyúljon bele és ne szereljen szét semmilyen alkatrészt a leírástól eltérő módon. A javításhoz lépjen kapcsolatba a hivatalos szervizzel vagy a helyi forgalmazóval.

Rendellenes állapot	Lehetséges ok (meghibásodás)	Megoldás
A motor nem indul be	A feltöltőpumpa használatának elmulasztása.	Nyomja meg 7–10-szer.
	Az indítókötél alacsony berántási sebessége.	Húzza meg erősebben.
	Üzemanyaghiány.	Adagoljon üzemanyagot.
	Eltömődött üzemanyagszűrő.	Tisztítsa meg.
	Lehúzott üzemanyagcső.	Megfelelően csatlakoztassa az üzemanyagcsövet.
	Meghajlott üzemanyagcső.	Egyenesítse ki az üzemanyagcsövet.
	Állott üzemanyag.	A rossz minőségű üzemanyag megnehezíti az indítást. Töltsön be új üzemanyagot. (Ajánlott csereintervallum: 1 hónap.)
	Túlzott üzemanyag-beszívás.	A gázkart közepesről állítsa maximális fordulatszámra, és addig húzza az indítófogantyút, amíg a motor be nem indul. A motor beindulásakor a fűrészlánc elkezd forogni. Fordítson teljes figyelmet a fűrészláncre. Ha még mindig nem indul be a motor, vegye ki a gyújtógyertyát, szárítsa meg az elektródát, és tegye vissza a gyertyát. Ezután a megadott módon indítsa be a motort.
	Lehúzott gyertyapipa.	Rögzítse megfelelően.
	Elszennyeződött gyújtógyertya.	Tisztítsa meg.
	Nem megfelelő a gyújtógyertya hézagja.	Állítsa be a hézagot.
	A gyújtógyertya más meghibásodása.	Cserélje ki.
	Hibás karburátor.	Végeztesen átvizsgálást és karbantartást.
	A berántókötélet nem lehet meghúzni.	Végeztesen átvizsgálást és karbantartást.
Hibás meghajtórendszer.	Végeztesen átvizsgálást és karbantartást.	
A motor hamar leáll A motor fordulatszáma nem nő	Elégtelen bemelegítés.	Melegítse be a gépet.
	A hidegindító szelep „ZÁRT” helyzetben van, pedig a motor már bemelegedett.	Állítsa „NYITOTT” állásba.
	Eltömődött üzemanyagszűrő.	Tisztítsa meg.
	Szennyezett vagy eltömődött légszűrő.	Tisztítsa meg.
	Hibás karburátor.	Végeztesen átvizsgálást és karbantartást.
	Hibás meghajtórendszer.	Végeztesen átvizsgálást és karbantartást.
Nem jut olaj a lánchoz.	Üres az olajtartály.	Töltse fel az olajtartályt lánckenő olajjal.
	A lánckenő olaj adagolónyílása elszennyeződött.	Tisztítsa meg a lánckenő olaj adagolónyílását és a lánccvető lapot.
	A lánckenő olaj adagolásának szabályozó csavarja helytelenül van beállítva.	Állítsa be helyesen a szabályozó csavart.
A fűrészlánc nem forog	A lánccvető lap elhajlott vagy sérült.	Cserélje ki a lánccvető lapot.
	Idegen anyag szorult be a fűrészláncba.	Leállított motor mellett távolítsa el az idegen anyagot.
Azonnal állítsa le a motort	Hibás meghajtórendszer.	Végeztesen átvizsgálást és karbantartást.
	A gép szokatlanul vibrál	Törött, hajlott vagy elhasználódott a lánccvető lap.
Azonnal állítsa le a motort	Meglazult fűrészlánc.	Állítsa be a fűrészlánc feszességét.
	Hibás meghajtórendszer.	Végeztesen átvizsgálást és karbantartást.
A fűrészlánc nem áll meg	Magas alapjáratú fordulatszám.	Állítsa be az alapjáratú fordulatszámot.
	Probléma a gázkar vezetékekkel.	A szervizközponttal cseréltesse ki.
Azonnal állítsa le a motort	Hibás meghajtórendszer.	Végeztesen átvizsgálást és karbantartást.
	A motor nem áll le	Az I-O kapcsoló csatlakozója levált.
Alapjáraton járassa a motort, és a hidegindító szelepet állítsa ZÁRT állásba	Hibás elektromos rendszer.	Végeztesen átvizsgálást és karbantartást.

Amikor a motor nem indul be a bemelegítés után:

Ha nem talál hibát az elemek ellenőrzésekor, állítsa a gázkart 1/3 fordulatszámra, és indítsa be a motort.

Ďakujeme, že ste si zakúpili benzínovú teleskopickú tyčovú pílu značky MAKITA. S potešením vám odporúčame benzínovú teleskopickú tyčovú pílu značky MAKITA, výrobok, ktorý je výsledkom dlhodobého programu vývoja a mnohých rokov znalostí a skúseností.

Prečítajte si, prosím, túto brožúru, ktorá sa podrobne odvoláva na rôzne body poukazujúce na vynikajúci výkon náradia. Pomôže vám dostať od vašej benzínovej teleskopickej tyčovej píly značky MAKITA čo najviac.



## Obsah

## Strana

Symbole.....	152
Bezpečnostné pokyny .....	153
Technické údaje.....	159
Označenie súčastí.....	160
Montáž a nastavenie .....	161
Pred začatím prevádzky .....	164
Body v rámci prevádzky a zastavenie stroja .....	166
Prevádzka.....	168
Pokyny ohľadne vykonávania servisu .....	168
Uskladnenie.....	174

## SYMBOLY

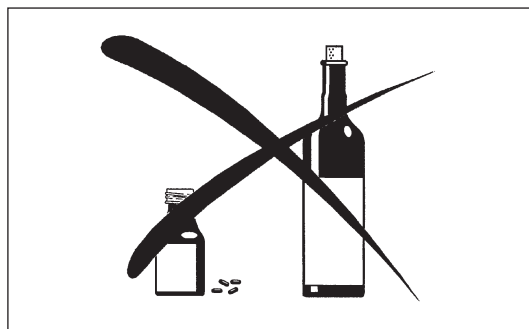
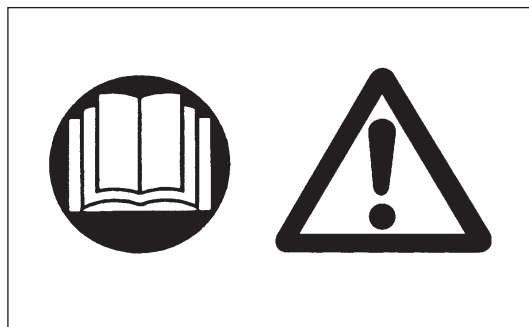
Počas čítania návodu na obsluhu sa stretnete s nasledujúcimi symbolmi.

	Prečítajte si návod na obsluhu a dodržiavajte výstrahy a bezpečnostné opatrenia!		Nepoužívajte otvorený plameň!
	Venujte veľkú pozornosť a dávajte pozor!		Reťazový olej.
	Používajte ochrannú prilbu, chrániče zraku a sluchu.		Zabráňte tomu, aby sa v oblasti používania náradia vyskytovali osoby alebo zvieratá!
	Je nevyhnutné používať ochranné rukavice!		Palivo (benzín)
	Používajte pevnú obuv s nekĺzavou podrážkou.		Manuálne spustenie motora
	Medzi zariadením a okolostojacimi osobami a/alebo elektrickým vedením (vrátane vetiev, ktoré sa ho dotýkajú) zachovávajte vzdialenosť aspoň 15 m (50 stôp). Riziko zasiahnutia elektrickým prúdom a/alebo osobné poranenie.		Prvá pomoc
	Nikdy tyčovú pílu nedržte po uhľom väčšom ako 60°.		ZAP./ŠTART
	Rýchlosť reťaze.		VYP./STOP
	Zakázané!		Núdzové zastavenie
	Nefajčite!		



**Všeobecné pokyny**

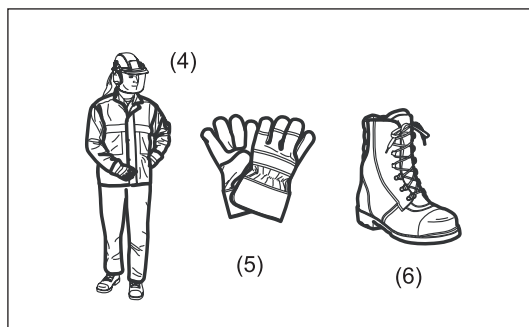
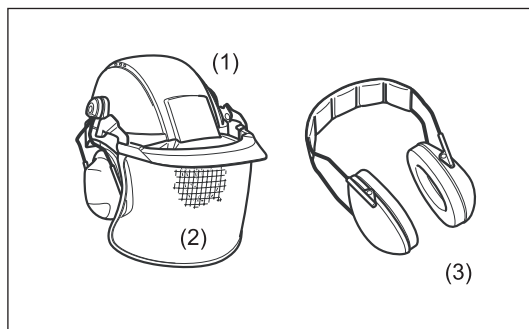
- Pre zaistenie správnej prevádzky si musí používateľ prečítať tento návod na obsluhu, aby sa oboznámil s manipuláciou so zariadením. Nedostatočne informovaný používateľ pri nesprávnej manipulácii vystavujú nebezpečenstvu seba aj ostatných.
- Odporúčame, aby ste zariadenie požičiavali jedine osobám, ktoré majú skúsenosti s používaním zariadenia. Vždy odovzdajte aj návod na obsluhu.
- Prvotní používatelia by mali predajcu požiadať o základné pokyny, aby sa oboznámili s manipuláciou s motorom poháňaným sečným zariadením.
- Deťom a osobám mladším ako 18 rokov nie je povolené zariadenie obsluhovať. Aj napriek tomu, osoby staršie ako 16 rokov smú náradie používať, a to iba na účel zaškolenia, pričom túto činnosť smú vykonávať pod dozorom kvalifikovaného školiteľa.
- Zariadenie používajte s maximálnou opatrnosťou a pozornosťou.
- Zariadenie používajte, len ak ste v dobrom fyzickom stave. Všetky úkony vykonávajte pokojne a opatrne. Používateľ musí prevziať zodpovednosť za ostatných.
- Zariadenie nikdy nepoužívajte po požití alkoholu alebo liekov, alebo ak sa cítite unavení alebo chorí.
- Nikdy sa nepokúšajte zariadenie upravovať.
- Národné nariadenia môžu obmedzovať používanie zariadenia. Dodržiavajte nariadenia ohľadne manipulácie s tyčovými pílmami a reťazovými pílmami, ktoré sú platné vo vašej krajine.


**Určené použitie zariadenia**

Toto zariadenie je navrhnuté na účel prerezávania vetiev a konárov do priemeru 15 cm. Zariadenie nikdy nepoužívajte na iný účel. Nesprávne používanie zariadenia môže mať za následok vážne poranenie.

**Osobné ochranné prostriedky**

- Používaný odev by mal byť funkčný a vhodný, t.j. mal by byť utiahnutý, avšak nemal by spôsobovať blokovanie pohybu. Nenoste šperky ani oblečenie, ktoré by sa mohli zamotať do kríkov alebo krovín.
- Aby nedošlo k poraneniu hlavy, očí, rúk alebo nôh, ako aj na ochranu sluchu je nevyhnutné pri práci so zariadením používať nasledujúce ochranné pomôcky a ochranné odevy.
- Ak existuje riziko výskytu padajúcich predmetov, vždy používajte prilbu. Ochranná prilba (1) sa musí pravidelne kontrolovať, či nie je poškodená a musí sa vymeniť aspoň raz za 5 rokov. Používajte len schválené ochranné prilby.
- Chránidlo (2) prilby (alebo alternatívne okuliare) chráni tvár pred letiacimi úlomkami alebo kameňmi. Počas prevádzky vždy používajte ochranné okuliare alebo chránidlo s cieľom zabrániť poraneniám očí.
- Používajte primerané vybavenie na ochranu pred hlukom (kľapky na uši (3), vložky do uší a pod.), aby ste zabránili poškodeniu sluchu.
- Pracovné kombinézy (4) chránia pred letiacimi kameňmi a úlomkami. Dôrazne odporúčame, aby používatelia používali pracovné kombinézy.
- Špeciálne ochranné rukavice (5) vyrobené z hrubej kože sú súčasťou predpísaného vybavenia a musia sa používať počas používania multifunkčnej motorovej jednotky.
- Pri používaní zariadenia vždy používajte pevnú obuv (6) s nekĺzavou podrážkou. Chráni pred poraneniami a zabezpečuje dobrý postoj.
- Pri manipulácii s pílovou reťazou alebo pri nastavovaní napnutia reťaze používajte ochranné rukavice. Pílovou reťazou si môžete vážne porezať ruky.



## Bezpečnosť pracoviska



- **⚠ Nebezpečenstvo:** Tyčovou pílu nepribližujte k elektrickým vedeniam a komunikačným káblom (vrátane konárov a vetví, ktoré sa ich dotýkajú) na vzdialenosť menšiu ako 15 m. Dotknutie alebo priblíženie sa tyčovou pílou k vysokonapäťovým vedeniam môže mať za následok smrť alebo vážne poranenia. Pred začatím vykonávania práce si pozrite, kde sa v okolí pracoviska nachádzajú elektrické vedenia a elektrické oplotenia.
- Tyčovou pílu používajte len pri dobrej viditeľnosti a pri dennom osvetlení. Tyčovou pílu nepoužívajte počas tmy ani pri výskyte hmly.
- Motor naštartujte a používajte iba vonku, na dobre vetraných miestach. Používanie v obmedzených alebo zle vetraných priestoroch môže mať za následok smrť v dôsledku zadusenía alebo otravy oxidom uhoľnatým.
- Počas vykonávania práce nikdy nestojte na nestabilnom alebo klzkom povrchu, ani na strmom svahu. Počas chladného ročného obdobia dávajte pozor na ľad a sneh a vždy zabezpečte stabilný postoj.
- Počas prevádzky zabezpečte, aby sa okolostojace osoby alebo zvieratá zdržiavali vo vzdialenosti aspoň 15 m od tyčovej píly. Ak sa ktokoľvek priblíži, okamžite vypnite motor.
- Pred vykonávaním práce skontrolujte pracovisko z pohľadu výskytu drôtených oplotení, stien alebo iných pevných predmetov. Môžu pílovú reťaz poškodiť.
- **⚠ VÝSTRAHA:** Používaním tohto výrobku môže dochádzať k vzniku prachu, ktorý obsahuje chemikálie, ktoré môžu spôsobiť dýchacie problémy alebo iné ochorenia. Príklady týchto chemikálií alebo zložiek možno nájsť v pesticídoch, insekticídoch, hnojivách a herbicídoch. Riziko ohrozenia vašej osoby vystavením sa týmto látkam sa líši v závislosti od toho, ako často vykonávate tento typ práce. Ako znížite riziká z vystavenia týmto chemikáliám: pracujte na dobre vetranom mieste a pracujte s odporúčanými bezpečnostnými pomôckami, napríklad protiprachovými maskami, ktoré sú špeciálne určené na filtrovanie mikroskopických častíc.

## Uvedenie do prevádzky

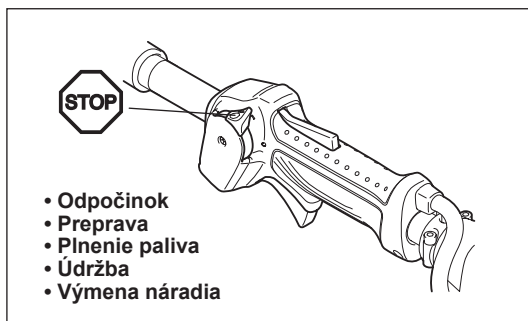
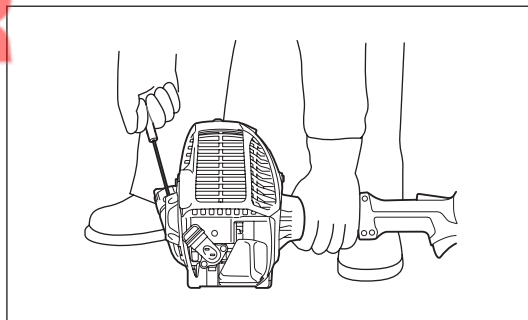
- Pred montážou alebo nastavovaním zariadenia vypnite motor a odpojte konektor zapalovacej sviečky.
- Pred naštartovaním motora skontrolujte zariadenie z pohľadu poškodení, uvoľnených skrutiek/matic alebo nesprávneho zmontovania. Otupenú pílovú reťaz naostríte. Ak je pílová reťaz ohnutá alebo poškodená, vymeňte ju. Skontrolujte jednoduchosť fungovania ovládacích páčok a prepínačov. Rukoväti dôkladne vyčistite a vysušte.
- Motor sa nepokúšajte nikdy naštartovať, ak je zariadenie poškodené, alebo nie je úplne zmontované. V opačnom prípade môže dôjsť k vážnemu zraneniu.
- Správne nastavte napnutie reťaze. V prípade potreby doplňte reťazový olej.

## Štartovanie motora

- Prosím, presvedčte sa, že v blízkosti sa nenachádzajú deti ani iné osoby a taktiež dávajte pozor na zvieratá vyskytnuvšie sa na mieste výkonu práce.
- Pred naštartovaním motora si nasadte osobné ochranné prostriedky.
- Skontrolujte, že všetko príslušenstvo je správne nainštalované, skontrolujte jednoduchosť používania ovládacej páčky a skontrolujte správnosť fungovania páčky odblokovania.
- Ak sa pílová reťaz pohybuje pri voľnobežných otáčkach, zastavte motor a znížte voľnobežné otáčky. Ak máte pochybnosti, o nastavenie požiadajte autorizované servisné stredisko. Zabezpečte, aby boli rukoväti čisté a suché a skontrolujte funkciu prepínača na zapnutie/vypnutie.

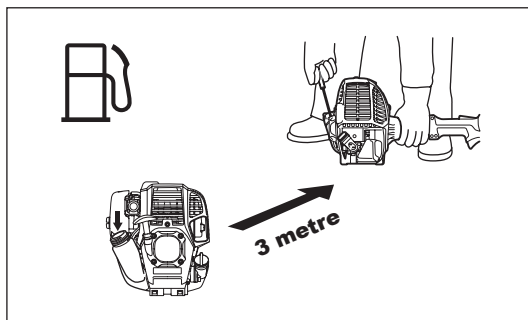
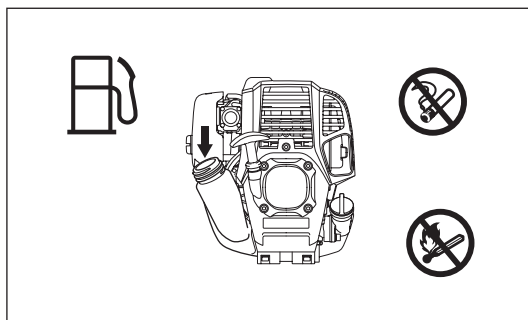
Motor naštartujte len podľa pokynov.

- Nepoužívajte žiadny iný spôsob naštartovania motora!
- Zariadenie položte na pevnú zem. Zaujmite dobrý rovnovážny a stabilný postoj.
- Pri ťahaní gombíka štartéra držte pevne zariadenie ľavou rukou pri zemi. Nikdy nestúpajte na tyč pohonu.
- Pred naštartovaním motora sa presvedčte, že na mieste vykonávania práce sa nenachádza žiadna osoba ani zvierka.
- Počas štartovania motora držte pílovú reťaz a vodiacu lištu od svojho tela alebo iných predmetov, vrátane zeme. Pílová reťaz sa môže počas štartovania pohybovať a môže spôsobiť vážne poranenie alebo poškodenie pílovej reťaze a/alebo majetku.
- V prípade akéhokoľvek problému s motorom je nutné motor okamžite vypnúť.
- Pokiaľ pílová reťaz narazí na kameň alebo iný tvrdý predmet, okamžite vypnite motor a skontrolujte zariadenie.
- Zariadenie prevádzkujte len s pripojeným popruhom na plece, ktorý je vhodne nastavený už pred uvedením zariadenia do činnosti. Je dôležité nastaviť popruh na plece podľa telesných rozmerov obsluhy, a to aby sa zabránilo únave počas používania. Počas používania nedržte sečné náradie iba jednou rukou.
- Pokiaľ motor beží na voľnobehu, nasadte postroj na plece. Počas prevádzky držte zariadenie pevne na svojej pravej strane.
- Všetky ochranné zariadenia a chrániče dodávané so strojným zariadením sa musia počas prevádzky používať.
- Motor nikdy neprevádzkujte v prípade chybného tmiča výfuku.
- Okrem núdzových prípadov nikdy zariadenie nenechajte spadnúť na zem, ani ho nehádzajte na zem, pretože by mohlo dôjsť k vážnemu poškodeniu zariadenia.



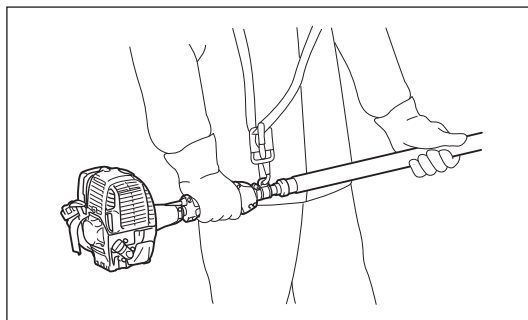
## Plnenie paliva

- Počas plnenia paliva vypnite motor, nepribližujte sa k otvoreným plameňom a nefajčite.
- Zabráňte styku pokožky s výrobkami obsahujúcimi minerálny olej. Palivové výpary nevdychujte. Pri dopĺňaní paliva vždy používajte ochranné rukavice. Ochranný odev vymieňajte a čistite v pravidelných intervaloch.
- Dávajte pozor, aby ste nerozliali palivo alebo olej a predišli tak kontaminácii pôdy (ochrana životného prostredia). Po rozliatí paliva okamžite očistite zariadenie.
- Zabráňte akémukoľvek kontaktu paliva s vaším odevom. Pokiaľ došlo k rozliatiu paliva na odev, odev okamžite vymeňte (aby ste zabránili vznieteniu odevu).
- Uzáver palivovej nádrže kontrolujte v pravidelných intervaloch, aby ste sa presvedčili, že je bezpečne utiahnutý a neuniká cez neho palivo.
- Uzáver palivovej nádrže dôkladne utiahnite. Ak chcete naštartovať motor, zmeňte miesto (aspoň 3 metre od miesta plnenia paliva).
- Nikdy nedopĺňajte palivo v uzatvorených miestnostiach. Palivové výpary sa hromadia na úrovni zeme (riziko výbuchu).
- Palivo prepravujte a uskladňujte len v schválených typoch nádob. Zabezpečte, aby sa k uskladnenému palivu nedostali deti.



## Spôsob prevádzky

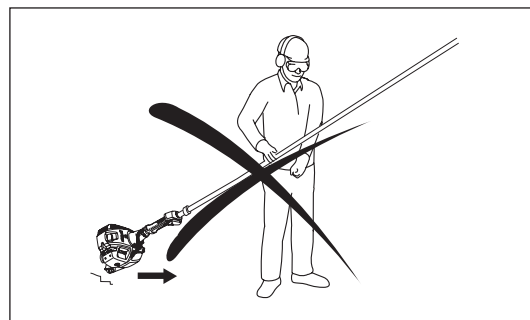
- V núdzových prípadoch okamžite vypnite motor.
- Ak počas prevádzky zbadáte nezvyčajný stav (napr. hluk alebo vibrácie), vypnite motor. Zariadenie nepoužívajte až do zistenia a odstránenia príčiny.
- Po uvoľnení vypínača škrtiacej klapky sa pílová reťaz bude ešte počas krátkej doby pohybovať. Neponáhľajte sa a nedotýkajte sa pílovej reťaze.
- Predné držadlo držte svojou ľavou rukou a zadné držadlo pravou rukou, bez ohľadu na to, či ste pravák alebo ľavák. Prsty a palce oviňte okolo držiadiel.
- Nikdy sa nepokúšajte zariadenie obsluhovať len jednou rukou. Strata kontroly môže viesť k vážnym alebo smrteľným poraneniam. Aby ste znížili riziko poranenia, ponechajte ruky a nohy v dostatočnej vzdialenosti od čepeľ.
- Nadmerne sa kvôli dosiahnutiu potrebného miesta nenahýňajte. Vždy stojte pevne a udržiavajte rovnováhu.
- Sledujte skryté prekážky, ako sú pne stromov, korene a priekopy, aby ste predišli potknutiu sa. Spadnuté konáre a ďalšie predmety odstráňte.
- Ak bude zariadenie vystavené silnému nárazu, alebo ak spadne, pred pokračovaním práce skontrolujte jeho stav. Palivový systém skontrolujte z pohľadu unikania a ovládacie prvky a bezpečnostné zariadenia skontrolujte z pohľadu výskytu vyšších sa chýb. V prípade výskytu poškodenia alebo v prípade pochybností požiadajte autorizované servisné stredisko spoločnosti Makita o vykonanie kontroly a opravy.
- Prevodovky sa nedotýkajte. Prevodovka je počas prevádzky horúca.
- Ak mienite nechať zariadenie bez dozoru, a to aj na krátku dobu, vždy zastavte motor. Zariadenie so spusteným motorom, ktoré je bez dozoru, môžu použiť neoprávnené osoby a môže dôjsť k vážnym poraneniam.



- Chránite životné prostredie. Vyhnite sa nepotrebnému používaniu škrtiacej klapky, čím dosiahnete menej znečistenia a emisií hluku. Karburátor správne nastavte.
- Počas, alebo po prevádzke neukladajte horúce zariadenie na suchú trávu alebo na horľavé materiály.
- Svoju pravú ruku nedržte nad úrovňou výšky pliec.
- Počas prevádzky nikdy pílovou reťazou nenarážajte na tvrdé predmety, ako sú kamene a kince. Veľký pozor dávajte pri rezaní konárov pri stenách, drôtených plotoch alebo podobne.
- Ak sa v pílovej reťazi zachytia konáre, vždy zastavte motor a odpojte konektor zapalovacej sviečky. V opačnom prípade môže náhodné spustenie spôsobiť vážne poranenia.
- Ak sa pílová reťaz zanesie, pred vyčistením vždy zastavte motor a odpojte konektor zapalovacej sviečky.
- Zvyšovaním otáčok motora pri zablokovaní pílovej reťaze sa zvyšuje zaťaženie a dôjde k poškodeniu motora a/alebo spojky.
- Pred rezaním vetiev zabezpečte únikovú cestu pred padajúcou vetvou. Najprv z pracoviska odstráňte prekážky, ako sú konáre a vetvy. Všetko náradie a veci premiestnite z únikovej cesty na iné bezpečné miesto.
- Pred rezaním konárov a vetiev skontrolujte smer ich pádu, pričom zoberte do úvahy stav konárov a vetiev, susedných stromov, smer vetra a pod. Maximálnu pozornosť venujte smeru pádu a odrazu konára po narazení na zem.
- Nikdy tyčovou pílu nedržte po uhľom väčšom ako 60°. V opačnom prípade môžu padajúce predmety zasiahnuť obsluhu a spôsobiť jej vážne poranenia. Nikdy nestojte pod vetvou, ktorú budete rezať.
- Dávajte pozor na zlomené alebo ohnuté konáre. Pri rezaní môžu vyskočiť naspäť s dôsledkom neočakávaného poranenia.
- Pred rezaním vetiev odstráňte z ich okolia konáre a listy. V opačnom prípade sa o ne môže píla zachytiť.
- Aby ste zabránili uviaznutiu píly v záreze, páčku škrtiacej klapky neuvolňujte pred vytiahnutím píly zo zárezu.
- Ak dôjde k uviaznutiu pílovej reťaze v záreze, okamžite zastavte motor, opatrne odstráňte konár, otvorte zárez a uvoľnite pílu.
- Zabráňte spätnému nárazu (rotačná reakčná sila smerom k obsluhu). Aby ste zabránili spätnému nárazu, nikdy nepoužívajte prednú časť vodiacej lišty ani nevykonávajte vnikajúci rez. Vždy dávajte pozor na polohu prednej časti vodiacej lišty.
- Často kontrolujte napnutie reťaze. Pred kontrolou alebo nastavovaním napnutia reťaze zastavte motor a odpojte konektor zapalovacej sviečky. Ak je napnutie voľné, vykonajte dotiahnutie.
- Zariadenie prevádzkujte pri najnižšom možnom hluku a najmenšom možnom znečistení. Dôležitá je kontrola správneho nastavenia karburátora.
- Zariadenie nikdy nespúšťajte stojac na rebríku.
- Nikdy nelezte na stromy s cieľom vykonať činnosť sekania.
- Pred rezaním vždy počkajte, kým reťaz dosiahne maximálnu prevádzkovú rýchlosť.
- Aby ste predišli strate ovládania v dôsledku únavy, robte si prestávky. Odporúčame urobiť si 10 až 20-minútovú prestávku každú hodinu.

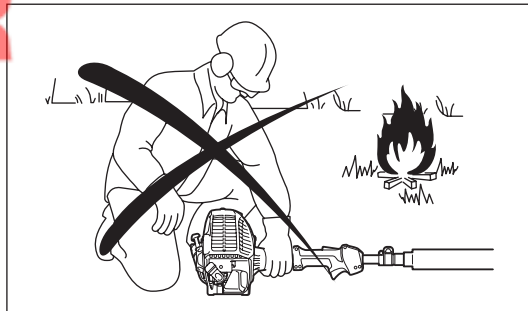
## Preprava

- Pred prepravou zariadenia vypnite motor a odpojte konektor zapalovacej sviečky.
- Počas prepravy vždy nasadte kryt vodiacej lišty.
- Vždy používajte ochranu náradia dodanú so zariadením.
- Prenášajte ho v horizontálnej polohe držiac za tyč. Horúci tlmič výfuku nepribližujte k telu.
- Pri preprave zariadenia vo vozidle zariadenie správne zaistíte, aby ste zabránili jeho prevrhnutiu. V opačnom prípade môže dôjsť k rozliatiu paliva, poškodeniu zariadenia a batožiny.
- Počas prepravy motor vypnite.
- Úplne vyprázdňte palivovú nádrž.
- Pri skladaní zariadenia z nákladného vozidla nikdy motor nenechajte spadnúť na zem, pretože môže dôjsť k vážnemu poškodeniu palivovej nádrže.
- Počas prenášania zariadenia vždy celé zariadenie zdvihnite zo zeme. Ťahanie palivovej nádrže je veľmi nebezpečné a spôsobí jej poškodenie a unikanie paliva s možnosťou vzniku požiaru.



## Pokyny týkajúce sa údržby

- Servis svojho náradia zverte autorizovanému servisnému stredisku a vždy používajte len originálne náhradné diely. Nesprávnou opravou a nedostatočnou údržbou dôjde k skráteniu životnosti náradia a zvyšuje sa riziko úrazov.
- Pred vykonávaním akejkoľvek údržby, opráv alebo čistenia zariadenia vždy zastavte motor a odpojte konektor zapalovacej sviečky. Počkajte, kým motor nevychladne.
- Aby ste znížili riziko vzniku požiaru, servis ani skladovanie zariadenia nikdy nerealizujte v blízkosti ohňa.
- Pri manipulácii s pílovou reťazou vždy používajte ochranné rukavice.
- Zariadenie vždy očistite od špiny a prachu. Na čistenie nikdy nepoužívajte benzín, benzínový čistič, riedidlo, alkohol ani nič podobné. Dôsledkom môžu byť deformácie alebo praskliny plastových prvkov.
- Po každom použití utiahnite skrutky a matice s výnimkou nastavovacích skrutiek.
- Pílovú reťaz udržiavajte v ostrom stave. Ak dôjde k otupeniu pílovej reťaze a k zníženiu rezného výkonu, požiadajte autorizované servisné stredisko spoločnosti Makita a naostrenie, alebo o výmenu za novú reťaz.
- Nevykonávajte žiadnu údržbu ani opravu, ktoré nie sú opísané v tomto návode na obsluhu. O vykonanie takýchto prác požiadajte autorizované servisné stredisko spoločnosti Makita.
- Zariadenie čistite v pravidelných intervaloch a skontrolujte, či sú všetky skrutky a matice dobre utiahnuté.
- Zariadenie vždy uskladňujte v uzamknutých miestnostiach a s vyprázdnenou palivovou nádržou.



## Uskladnenie

- Pred uskladnením zariadenia vykonajte úplné vyčistenie a údržbu. Nasadte kryt vodiacej lišty. Odpojte konektor zapalovacej sviečky. Po vychladnutí motora vypustte palivo a reťazový olej.
- Zariadenie uskladnite na dobre vetranom, vyvýšenom alebo uzamknutom mieste mimo dosahu detí.
- Zariadenie neopierajte o nič, ako je stena. Môže náhle spadnúť s dôsledkom poranení.

Dodržiavajte príslušné pokyny, ktoré súvisia s prevenciou proti nehodám a ktoré boli vydané príslušnými obchodnými združeniami a poisťňami spoločnosťami.

Na zariadení nevykonávajte žiadne úpravy, pretože môžete takto ohroziť svoju bezpečnosť.

Vykonávanie činností súvisiacich s údržbou alebo opravou je obmedzené na tie aktivity, ktoré sú popísané v návode na obsluhu. Všetky ostatné činnosti smie vykonávať iba autorizované servisné stredisko. Používajte len originálne náhradné diely a príslušenstvo uvedené do obehu a dodávané spoločnosťou MAKITA.

Používanie neschváleného príslušenstva a náradia predstavuje zvýšené riziko nehôd.

Spoločnosť MAKITA nepreberie žiadnu zodpovednosť za nehody alebo škody spôsobené používaním neschváleného príslušenstva a upevňovacích zariadení príslušenstva alebo doplnkov.

## Prvá pomoc

Pre prípad nehody zabezpečte, aby bola v dosahu miesta vykonávania činnosti rezania lekárnica prvej pomoci. Všetky použité položky z lekárnice ihneď doplňte.

### Pri privolávaní pomoci poskytnite nasledujúce informácie:

- Miesto úrazu
- Čo sa stalo
- Počet zranených osôb
- Druh zranení
- Vaše meno



## Vibrácie

- Osoby s oslabeným obehom vystavené nadmerným vibráciám môžu zaznamenať poranenie krvných ciev alebo nervového systému. Vibrácie môžu spôsobiť nasledujúce príznaky na prstoch, rukách alebo zápästiach: „nemožnosť pohybu“ (znedcitlivenie), ťpnutie, bolesť, pocit pichania, zmena sfarbenia pokožky alebo zmena pokožky. Pri ktoromkoľvek z týchto príznakov navštívte lekára!
- Aby ste znížili riziko „choroby bielych prstov“, počas prevádzky udržiavajte ruky teplé a zariadenie a príslušenstvo majte v dobrom stave.



---

## VYHLÁSENIE O ZHODE SO SMERNICAMI EURÓPSKEHO SPOLOČENSTVA

**Naša spoločnosť Makita, ako zodpovedný výrobca vyhlasuje, že nasledujúce strojné zariadenie(a) značky Makita:**

Označenie zariadenia: Benzínová teleskopická tyčová píla

Číslo modelu / Typ: EY2650H

Technické špecifikácie: pozrite si tabuľku „TECHNICKÉ ÚDAJE“

predstavuje výrobok sériovej výroby

**a vyhovuje nasledujúcim európskym smerniciam:**

2006/42/ES

a je vyrobené podľa nasledujúcich noriem a štandardizovaných dokumentov:

EN/ISO11680

Technickú dokumentáciu archivuje:

Makita International Europe Ltd., Technical Department,

Michigan Drive, Tongwell, Milton Keynes, Bucks MK15 8JD, Anglicko

Číslo certifikátu skúšky typu ES pre tyčovú pílu je:

4813008.13001

Skúšku typu ES podľa smernice 2006/42/ES vykonal:

DEKRA Testing and Certification GmbH Enderstraße 92b 01277 Dresden, Nemecko

Identifikačné číslo 2140

31. 10. 2013

Tomoyasu Kato  
Riaditeľ

Makita Corporation  
3-11-8, Sumiyoshi-cho,  
Anjo, Aichi, 446-8502, JAPAN

---

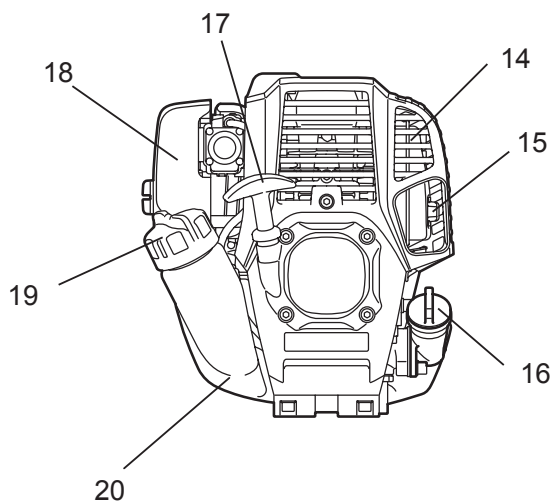
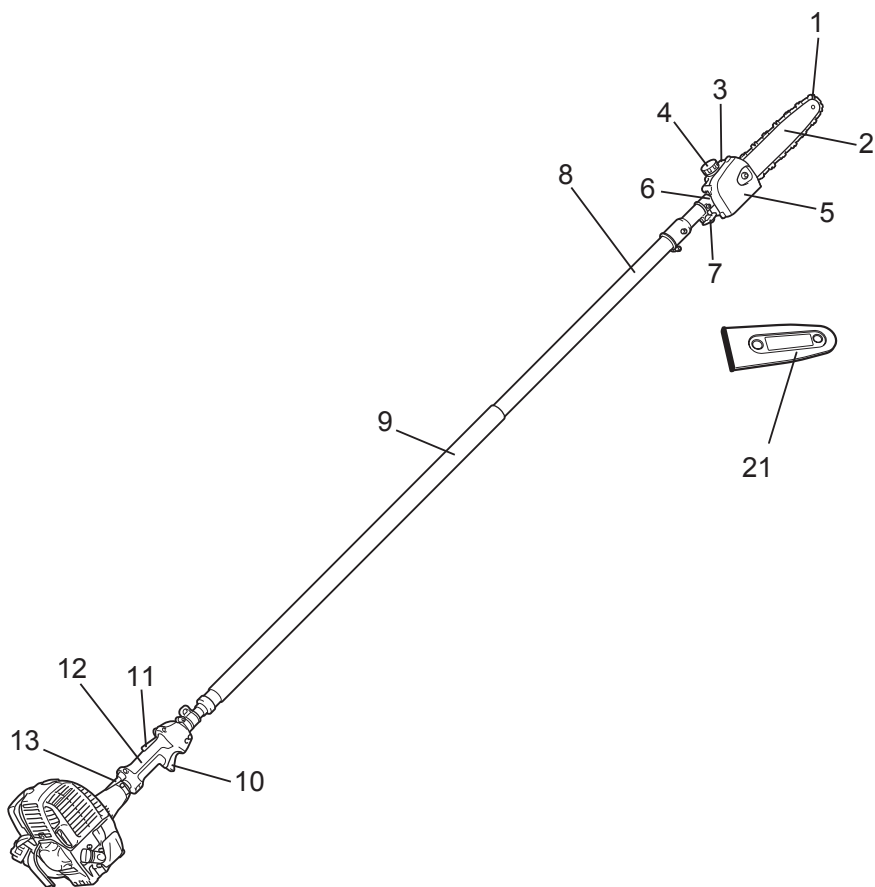


Model		EY2650H		
Rozmery: D x Š x V	mm	2720 až 3920 x 223 x 240		
Hmotnosť	kg	7,2		
Objem palivovej nádrže	cm <sup>3</sup>	600		
Olejová nádrž na reťazový olej	cm <sup>3</sup>	120		
Zdvihový objem motora	cm <sup>3</sup>	25,4		
Max. rýchlosť reťaze	m/s	21,0		
Maximálny výkon motora		0,77 kW pri 7000 min <sup>-1</sup>		
Otáčky motora pri odporúčaných maximálnych otáčkach hriadeľa	min <sup>-1</sup>	10000		
Voľnobežné otáčky	min <sup>-1</sup>	3000		
Otáčky pri zaradení spojky	min <sup>-1</sup>	4400		
Karburátor		Membránový typ		
Zapaľovacia sviečka	Typ	NGK CMR4A		
Vzdialenosť elektród zapaľovacej sviečky	mm	0,7 - 0,8		
Palivo		Automobilový benzín (benzín)		
Motorový olej		Olej SAE 10W-30 podľa klasifikácie API, trieda SF alebo vyššia (olej pre 4-taktný automobilový motor)		
Rezná dĺžka	mm	255		
Dĺžka vodiacej lišty	mm (palce)	255 (10")		
Píllová reťaz		91VXL-39E		
Rozstup reťaze	palec	3/8"		
Mierka reťaze	mm (palce)	1,3 (0,05")		
Počet zubov ozubeného kolesa		7		
Reťazový olej		Originálny reťazový olej Makita		
Čerpadlo reťazového oleja		Piestové čerpadlo (typ s vlastným mazaním)		
Vibrácie podľa normy ISO 22867	Pravé držadlo (zadné držadlo)	a <sub>hv eq</sub> (tyč je v najkratšej polohe)	m/s <sup>2</sup>	5,3
		a <sub>hv eq</sub> (tyč je v najdlhšej polohe)	m/s <sup>2</sup>	6,1
		Odchýlka K	m/s <sup>2</sup>	2,0
	Ľavé držadlo (predné držadlo)	a <sub>hv eq</sub> (tyč je v najkratšej polohe)	m/s <sup>2</sup>	7,2
		a <sub>hv eq</sub> (tyč je v najdlhšej polohe)	m/s <sup>2</sup>	8,6
		Odchýlka K	m/s <sup>2</sup>	2,0
Priemerná úroveň akustického tlaku podľa normy ISO 22868	L <sub>PA eq</sub>	dBA	89,5	
	Odchýlka K	dBA	2,5	
Priemerná úroveň akustického výkonu podľa normy ISO 22868	L <sub>WA eq</sub>	dBA	107,3	
	Odchýlka K	dBA	2,5	

- Kvôli pokračujúcemu programu výskumu a vývoja sa tu uvedené technické špecifikácie môžu bez predchádzajúceho upozornenia zmeniť.
- Technické špecifikácie môžu byť v každej krajine odlišné.



EY2650H



SK	OZNAČENIE SÚČASTÍ
1	Píllová reťaz
2	Vodiaca lišta
3	Olejová nádrž
4	Uzáver olejovej nádrže
5	Držiak lišty
6	Prevodovka
7	Gombík
8	Teleskopická tyč
9	Predné držadlo
10	Páčka škrtiacej klapky
11	Páčka odblokovania
12	Zadné držadlo
13	Ovládací kábel
14	Tlmič výfuku
15	Výfuk
16	Uzáver olejovej nádrže
17	Gombík štartéra
18	Vzduchový filter
19	Uzáver palivovej nádrže
20	Palivová nádrž
21	Kryt vodiacej lišty

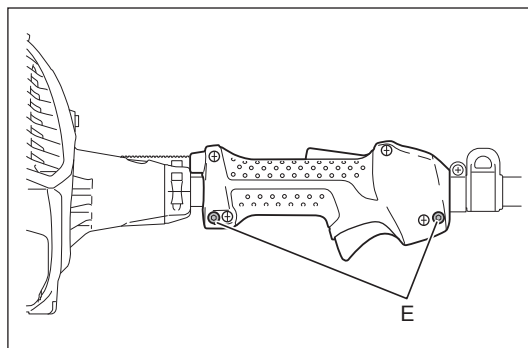
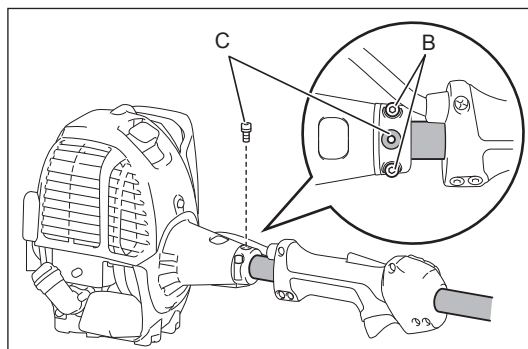
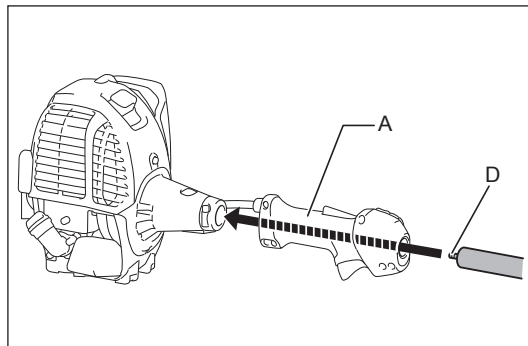
## VÝSTRAHA:

- Pred montážou, nastavením alebo kontrolou vypnite motor a odpojte konektor zapalovacej sviečky.
- Pri manipulácii s pílovou reťazou vždy používajte ochranné rukavice.
- Pred montážou, nastavením alebo kontrolou nechajte pílovú reťaz vychladnúť. Pílová reťaz bude počas prevádzky veľmi horúca a môže spôsobiť popálenie.

## Montáž tyče a skrine spojky

Zmontujte tyč so zadným držadlom a motorovou jednotkou nasledovne:

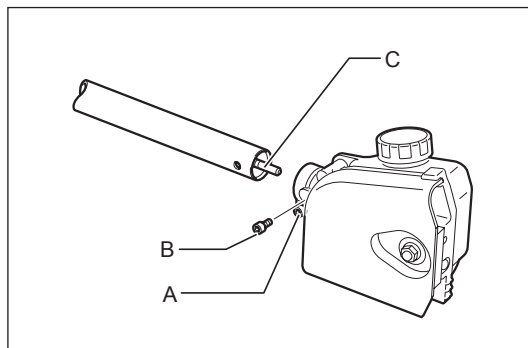
1. Zasuňte tyč cez zadné držadlo (A).
2. Uvoľnite dve upínacie skrutky (B) a odskrutkujte strednú skrutku (C) na skrini spojky.
3. Zasuňte tyč do skrine spojky. Ak je úplne zasunutie ťažké, otočte mierne drážkovanie (D).
4. Zarovnajte otvor na tyči s otvorom pre strednú skrutku.
5. Strednú skrutku utiahnite.
6. Rovnomerne utiahnite dve upínacie skrutky.
7. Nastavte polohu zadného držadla a potom ho utiahnite dvoma skrutkami (E).



## Montáž tyče a prevodovky

Zmontujte tyč s prevodovkou nasledovne:

1. Uvoľnite skrutku (A). Odskrutkujte skrutku (B).
2. Zasuňte tyč do prevodovky. Ak je úplne zasunutie ťažké, otočte mierne drážkovanie (C).
3. Zarovnajte otvor na tyči s otvorom pre skrutku (B).
4. Najprv utiahnite skrutku (B) a následne utiahnite skrutku (A).

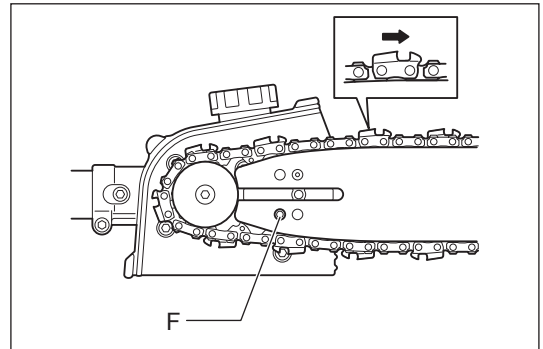
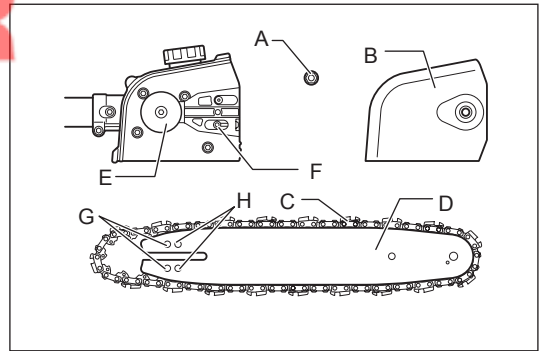


## Montáž pílovej reťaze a vodiacej lišty

**UPOZORNENIE:** Skontrolujte, že pílová reťaz, vodiaca lišta a ozubené koleso sú správne, pokiaľ ide o rozmer a rozstup.

Pílovú reťaz a vodiacu lištu zmontujte podľa nasledujúcich krokov.

1. Uvoľnite maticu (A) a demontujte držiak lišty (B).
2. Pílovú reťaz (C) nasadíte do drážky vodiacej lišty (D). Začnite v prednej časti lišty.
3. Pílovú reťaz (C) nasadíte na ozubené koleso (E).
4. Vodiacu lištu (D) nainštalujte tak, aby napínacia matica (F) zapadla do otvoru (G) na vodiacej lište. Otvory (H) sa nepoužívajú.
5. Nasadíte držiak lišty (B) a bezpečne utiahnete maticu (A). Následne o polovicu otáčky uvoľnite maticu, aby ste umožnili nastavenie napnutia reťaze.
6. Nastavte napnutie reťaze. Pozrite si časť „Nastavenie napnutia reťaze“.



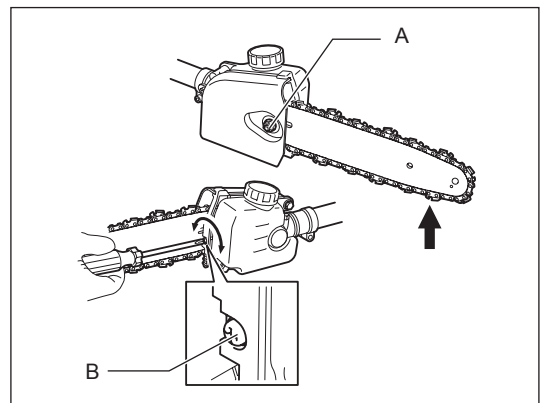
## Nastavenie napnutia reťaze

**UPOZORNENIE:**

- Zachovávajte správne napnutie reťaze. Uvoľnené napnutie môže mať za následok spadnutie pílovej reťaze počas používania. Veľmi veľké napnutie môže poškodiť pílovú reťaz alebo vodiacu lištu.
- Počas prevádzky často kontrolujte napnutie reťaze. Počas prevádzky dochádza k natiahovaniu reťaze a k jej uvoľňovaniu. Ak používate novú pílovú reťaz, napnutie nastavujte omnoho častejšie.

Napnutie reťaze nastavte nasledujúcim spôsobom.

1. Maticu (A) uvoľnite o polovicu otáčky.
2. Prednú časť lišty držte hore. Otáčajte napínacou skrutkou (B) v smere hodinových ručičiek, kým pílová reťaz prilieha do spodnej časti vodiacej lišty.
3. Chyťte pílovú reťaz v strede vodiacej lišty a zdvihnite ju. Vzdialenosť medzi vodiacou lištou a uväzovacím pásikom pílovej reťaze by mala byť 3 – 4 mm (0,118" – 0,157"). Ak tomu tak nie je, otočte mierne napínaciu skrutku proti smeru hodinových ručičiek a postup podľa kroku 2 vykonajte znova.
4. Maticu (A) bezpečne utiahnite.
5. Ak je to potrebné, mierne utiahnite napínaciu skrutku, aby ste zabránili spadnutiu.



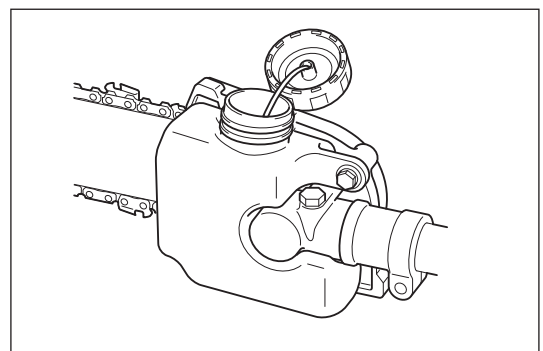
## Plnenie nádrže na reťazový olej

Počas prevádzky musí byť pílová reťaz mazaná reťazovým olejom. Pred prevádzkou naplňte nádrž na reťazový olej. Po naplnení oleja bezpečne utiahnite uzáver olejovej nádrže. Používajte len originálny reťazový olej Makita.

**VAROVANIE:**

- Nikdy nepoužívajte odpadový olej. Môže poškodiť olejové čerpadlo.
- Pri plnení reťazového oleja sa vyhýbajte prašným prostrediam. Prach a cudzie telesná môžu poškodiť systém prívodu oleja.

Počas prevádzky vždy dávajte pozor na hladinu oleja. Ak olej dosiahne minimálnu hladinu, olej doplňte. Nádrž sa vyprázdni za približne 40 minút prevádzky (v závislosti na nastavení mazania reťaze).

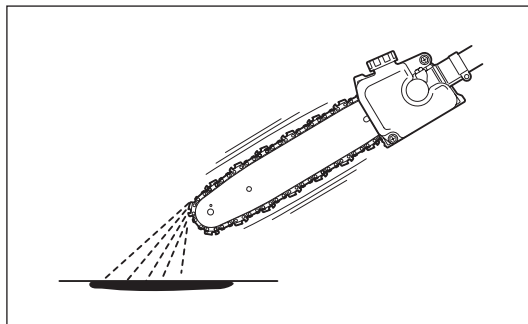
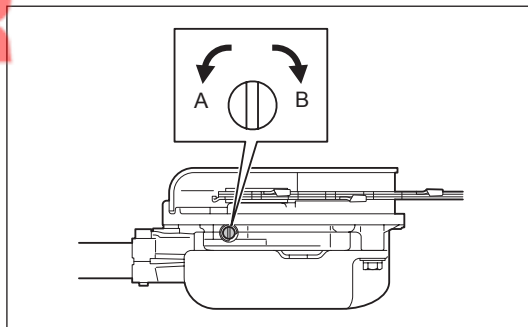


## Nastavenie rýchlosti prívodu reťazového oleja

Rýchlosť prívodu reťazového oleja sa dá nastaviť v troch krokoch. V závislosti na prevádzke, napríklad v prípade rezania tvrdých vetiev, nastavte rýchlosť prívodu.

Na nastavenie rýchlosti prívodu reťazového oleja použijete plochý skrutkovač. Zatláčajte ho do zárezu nastavovacej skrutky a otočte ju. Na zvýšenie rýchlosti prívodu otočte nastavovaciu skrutku proti smeru hodinových ručičiek (**A**). Na zníženie rýchlosti prívodu ju otočte v smere hodinových ručičiek (**B**).

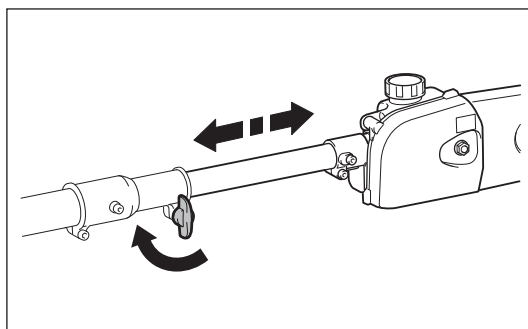
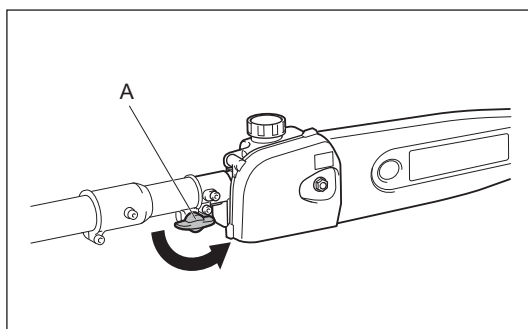
Po nastavení rýchlosti prívodu reťazového oleja skontrolujte rýchlosť prívodu spustením zariadenia na stredných otáčkach.



## Nastavenie dĺžky tyčovej píly

Dĺžku tyčovej píly nastavte nasledovne:

1. Otočte gombíkom (**A**) proti smeru hodinových ručičiek.
2. Nastavte dĺžku tyče.
3. Otočte gombíkom v smere hodinových ručičiek a utiahnite prevodovú hlavu.



## Popruh na plece

### Nastavenie popruhu na plece

Popruh nastavte na dĺžku, ktorá je vhodná pre vami vykonávanú prácu.

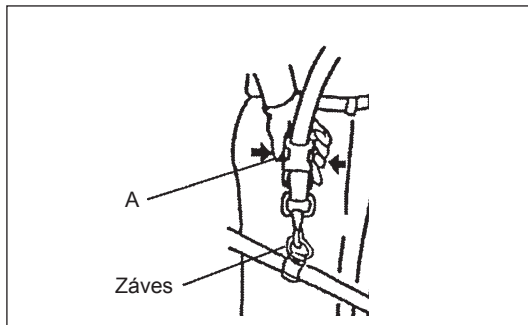
### Odpojenie

V prípade núdze stlačte západky (**A**) na oboch stranách a odpojte zariadenie.

Buďte pritom veľmi opatrní, aby ste zachovali kontrolu nad zariadením. Nedovoľte, aby sa zariadenie otočilo smerom k vám alebo ku komukoľvek vo vašej blízkosti.

**VÝSTRAHA:** Opomenutie zachovať úplné ovládanie zariadenia môže mať za následok vážne poranenie alebo SMRŤ.

Poznámka: V niektorých krajinách popruh na plece nemá túto funkciu odpojenia.



### Kontrola a naplnenie motorového oleja

- Nasledujúci postup vykonajte, kým je motor studený.
- Motor položte do vodorovnej polohy, demontujte uzáver olejovej nádrže (Obr. 1) a skontrolujte, či sa olej nachádza medzi značkami hornej a spodnej hranice na olejovej rúrke (Obr. 2).
- Pokiaľ je nedostatok oleja (hladina oleja je blízko značky spodnej hranice), olej naplňte po značku hornej hranice (Obr. 3).
- Časť okolo vonkajších značiek je priehľadná a tak možno množstvo oleja vo vnútri kontrolovať bez nutnosti domontovania uzáveru olejovej nádrže. Predsa len však, pokiaľ je olejová rúrka veľmi špinavá, dôjde k zníženej viditeľnosti a hladinu oleja budete musieť kontrolovať vzhľadom na stupňovitú časť vo vnútri olejovej rúrky.
- Ako pomôcka môže slúžiť informácia, že olej je potrebné naplniť po asi 10 hodinách prevádzky (po každom 10. plnení paliva). Pokiaľ olej zmení farbu alebo sa zmieša so špinou, vymeňte ho za nový. (Informácie o intervale a spôsobe výmeny nájdete na s. 169.)

**Odporúčaný olej:** olej SAE 10W-30 podľa klasifikácie API, trieda SF alebo vyššia (4-taktný automobilový motor)

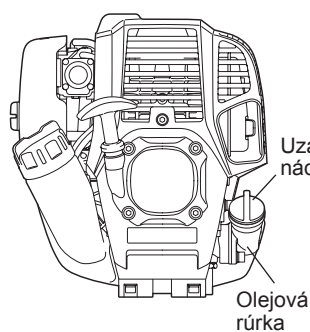
**Objem oleja:** asi 0,08 l

Poznámka: Ak motor nedržíte vzpriamene, olej môže vytekať dookola motora a môže dochádzať k preplneniu olejom.

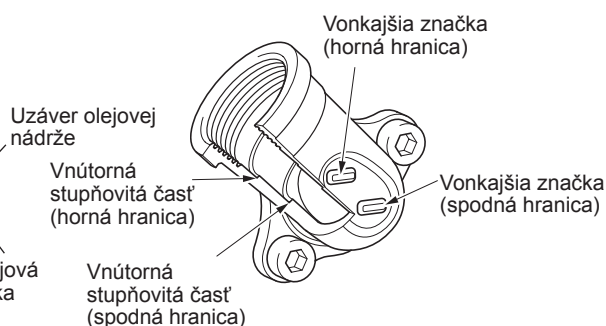
Pokiaľ je olej naplnený nad medznú hodnotu, môže dôjsť k jeho znečisteniu alebo sa môže vznietiť pri vydávaní bieleho dymu.

#### Bod 1 pri výmene oleja: „Uzáver olejovej nádrže“

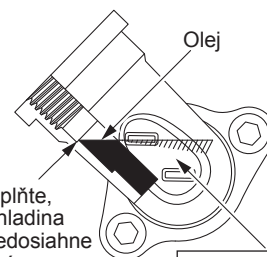
- Odstráňte prach a špinu v blízkosti otvoru na plnenie oleja a demontujte uzáver olejovej nádrže.
- Zabráňte znečisteniu uzáveru olejovej nádrže pieskom alebo prachom. V opačnom prípade spôsobí piesok alebo prach prilepený na uzávere olejovej nádrže nepravidelný obeh oleja alebo opotrebovanie súčastí motora s dôsledkom problémov.



Obr. 1



Obr. 2 Olejová rúrka

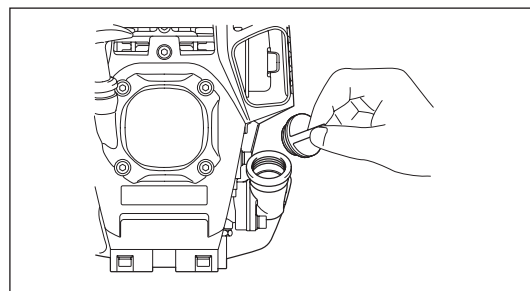


Olej doplňte, dokiaľ hladina oleja nedosiahne vnútornú stupňovitú časť (horná hranica).

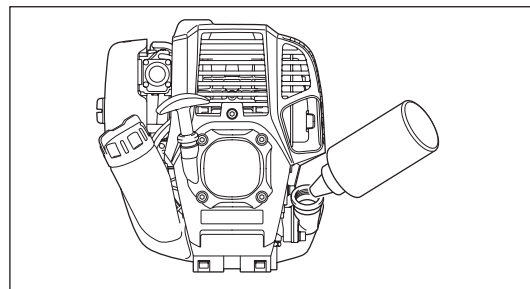
Časť medzi externou hornou a spodnou hranicou je priehľadná, a tak môžete hladinu oleja externe kontrolovať podľa týchto značiek.

Obr. 3

- (1) Motor držte vodorovne a demontujte uzáver olejovej nádrže.



- (2) Naplňte olejom po značku hornej hranice. (pozrite si Obr. 3)  
Počas plnenia používajte fľašu od oleja.



- (3) Bezpečne utiahnite uzáver olejovej nádrže. Nedostatočné utiahnutie môže spôsobiť unikanie oleja.

- Olej nevymieňajte, pokiaľ je motor v sklonenej polohe.
- Napĺňanie oleja, pokiaľ je motor v sklonenej polohe môže mať za následok preplnenie s dôsledkom znečistenia olejom a/alebo vytvárania bieleho dymu.

### Bod 2 pri výmene oleja: „Pokiaľ dôjde k rozliatiu oleja“

- Pokiaľ sa olej rozleje do priestoru medzi palivovou nádržou a hlavňou jednotkou motora, olej bude nasatý cez otvor privodu chladiaceho vzduchu, čím dôjde k znečisteniu motora. Skôr, ako začnete s prevádzkou, utrite rozliaty olej.

## PLNENIE PALIVA

### Manipulácia s palivom

S palivom je nutné manipulovať s maximálnou opatrnosťou. Palivo môže obsahovať látky podobné rozpúšťadlám. Plnenie paliva sa musí vykonávať v dobre vetranej miestnosti alebo na otvorenom priestranstve. Nikdy nevdychnite palivové výpary a palivo udržiavajte v dostatočnej vzdialenosti od seba. Pokiaľ sa paliva opakovane dotknete, alebo ak dôjde k dlhodobému styku s palivom, pokožka bude suchá, čo môže spôsobiť ochorenie kože alebo alergiu. Ak sa palivo dostane do očí, oči vypláchnite čerstvou vodou. Ak zostanú oči aj naďalej podráždené, vyhľadajte lekársku pomoc.

Plnenie paliva nevykonávajte na za šera ani na nestabilnom povrchu.

### Doba skladovania paliva

Palivo by sa malo spotrebovať počas doby 4 týždňov, a to aj v prípade jeho uskladnenia v špeciálnej nádobe na dobre vetranom zatienenom mieste.

Pokiaľ sa nepoužíva špeciálna nádoba, alebo pokiaľ nie je nádoba zakrytá, palivo sa môže behom jedného dňa znehodnotiť.

### USKLADNENIE STROJA A NAPLNENIE NÁDRŽE

- Stroj a nádrž uskladňujte na chladnom mieste bez účinkov priameho slnečného žiarenia.
- Nikdy palivo neponechávajte v miestnosti uskladnenia alebo v nádrži.

### Palivo

Motor predstavuje štvortaktný motor. Používajte preto automobilový benzín (bežný benzín alebo vysokokvalitný benzín).

### Body ohľadne paliva

- Nikdy nepoužívajte zmes benzínu obsahujúcu motorový olej. V opačnom prípade dôjde k nadmernému hromadeniu uhlíka alebo k mechanickým problémom.
- Používanie znehodnoteného oleja spôsobí nepravidelné naštartovanie.

### Plnenie paliva

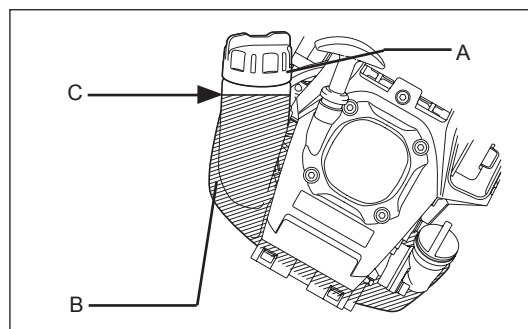
#### VÝSTRAHA: PRÍTOMNOSŤ HORĽAVÍN JE PRÍSNE ZAKÁZANÁ

**UPOZORNENIE:** Po naplnení paliva nezabudnite zatvoriť uzáver palivovej nádrže. Ak je uzáver palivovej nádrže otvorený, nikdy motor neštartujte.

**Použitý typ benzínu:** Automobilový benzín (bezolovnatý benzín)

1. Mierny uvoľnite uzáver palivovej nádrže (**A**) aby ste zabránili vyliatiu paliva.
2. Demontujte uzáver palivovej nádrže. Motor nakloňte tak, aby otvor na plnenie paliva smeroval nahor.
3. Palivo plňte opatrne pri súčasnom uvoľňovaní vzduchu z palivovej nádrže (**B**). (Palivo neplňte nad hornú hranicu paliva (**C**).)
4. Okolie uzáveru palivovej nádrže dôkladne utrite, aby ste zabránili vniknutiu cudzorodých častíc do vnútra palivovej nádrže.
5. Po naplnení paliva dôkladne utiahnite uzáver palivovej nádrže.

- Ak uzáver palivovej nádrže vykazuje trhliny alebo poškodenie, vymeňte ho.
- Uzáver nádrže sa časom opotrebuje. Vymeňte ho raz za dva alebo tri roky.



## UPOZORNENIE:

Dodržiavajte vzťahujúce sa nariadenia ohľadne predchádzania úrazov!

## VAROVANIE:

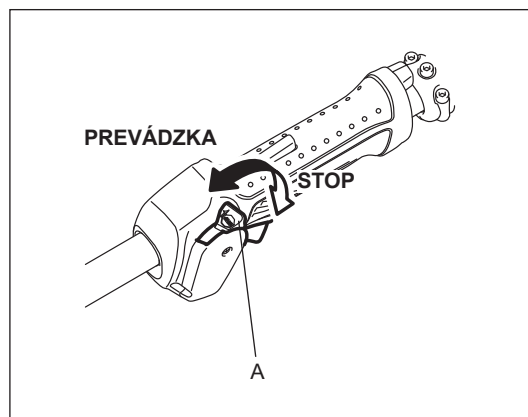
Pred naštartovaním motora demontujte kryt vodiacej lišty.

## SPUSTENIE

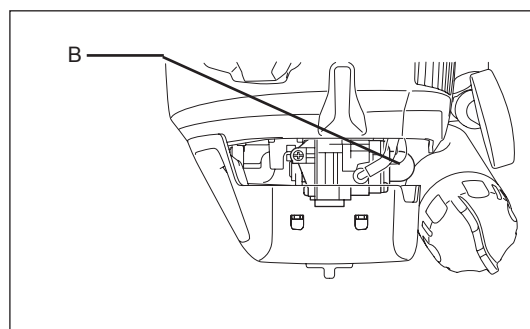
Premiestnite sa aspoň 3 m od miesta plnenia paliva. Zariadenie položte na čisté miesto na zemi a dávajte pozor, aby sa príslušenstvo nedotýkalo zeme ani iných predmetov.

### A: Studený štart

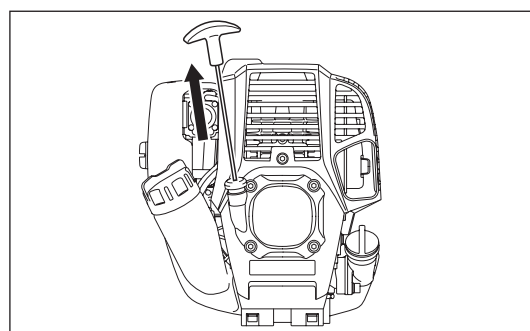
- 1) Tento stroj položte na rovné miesto.
- 2) Prepínač I-O (**A**) nastavte do polohy OPERATION (PREVÁDZKA).



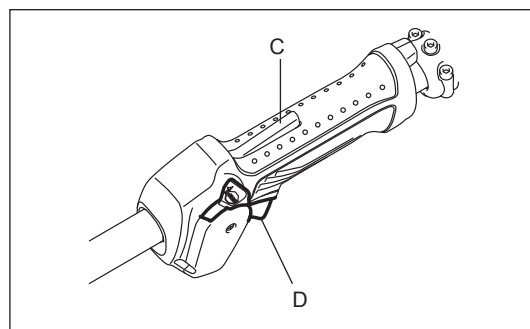
- 3) Vstrekovacie čerpadlo  
Priebežne stláčajte vstrekovacie čerpadlo (**B**), a to až dokiaľ sa palivo nedostane do vstrekovacieho čerpadla.  
(Vo všeobecnosti sa palivo dostane do vstrekovacieho čerpadla po 7 až 10 zatlačeniach.)  
Pokiaľ vstrekovacie čerpadlo budete stláčať nadmerne, nadmerný objem benzínu sa vráti naspäť do palivovej nádrže.



- 4) Reakčný štartér  
Potiahnite jemne gombík štartéra, dokiaľ je ťažké ho ťahať (bod kompresie). Následne gombík vráťte do pôvodnej polohy a silno potiahnite. Nikdy úplne nevytiahnite lanko. Po potiahnutí gombíka štartéra nikdy ruku okamžite neuvolňujte. Gombík štartéra pridržujte, dokiaľ sa nevráti do svojej pôvodnej polohy.



- 5) Rukoväť je vybavená páčkou odblokovania (**C**) na zabránenie náhodného spustenia. Páčku škrtiacej klapky (**D**) potiahnete uchopením rukoväti s cieľom uvoľniť poistku (tlačidlo odblokovania sa stlačí tlakom ruky).



- 6) Zahrievanie  
Zahrievanie vykonávajte počas doby 2 až 3 minút.

Poznámka: V prípade nadmerného prívodu paliva demontujte zapaľovaciu sviečku a pomalým potiahnutím rukoväti štartéra odstráňte nadbytočné palivo. Taktiež vysušte časť elektródy zapaľovacej sviečky.



## Počas prevádzky dávajte pozor:

Pokiaľ je počas prevádzky bez zaťaženia páčka škrtiacej klapky úplne otvorená, otáčky motora sa zvýšia na hodnotu 10000 min<sup>-1</sup> alebo viac. Motor nikdy neprevádzkujte pri vyšších než požadovaných otáčkach. Odporúčané prevádzkové otáčky: 6000 – 8500 min<sup>-1</sup>.

## B: Naštartovanie po zahriatí

- 1) Opakovane stláčajte vstrekovacie čerpadlo.
- 2) Páčku škrtiacej klapky ponechajte v polohe pre voľnobeh.
- 3) Silno potiahnite reakčný štartér.
- 4) Pokiaľ je ťažké naštartovať motor, otvorte škrtiacu klapku asi o 1/3.  
Dávajte pozor na príslušenstvo, ktoré sa môže otáčať.

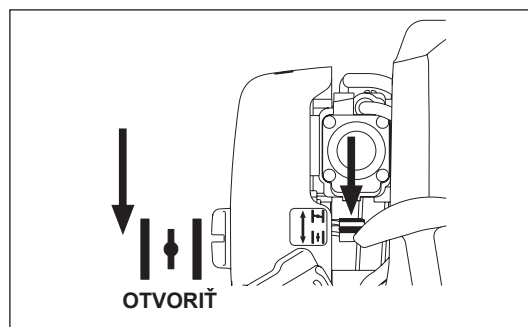
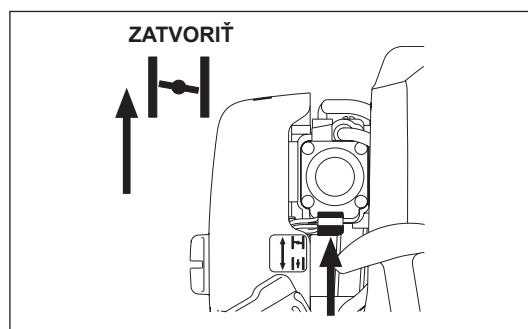
## Počas období ako je zima, kedy je naštartovanie motora ťažké

Počas naštartovania motora pohybujte páčkou sýtiča v spojení s nasledujúcim postupom.

- Po vykonaní krokov naštartovania 1) až 3) nastavte páčku sýtiča do polohy CLOSE (ZATVORIŤ).
- Vykonajte krok naštartovania 4) a naštartujte motor.
- Po naštartovaní motora nastavte páčku sýtiča do polohy OPEN (OTVORIŤ).
- Vykonajte krok naštartovania 5) a vykonajte zahrievanie.

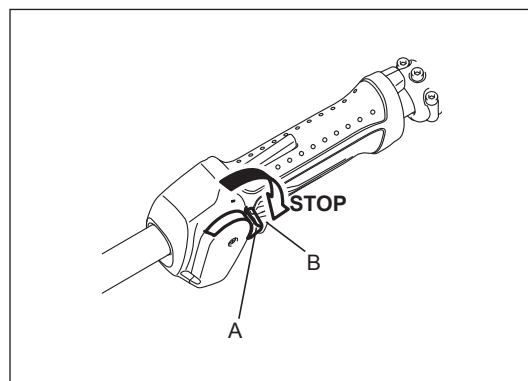
**UPOZORNENIE:** Ak začujete buchnutie (zvuk výbuchu) a motor sa zastaví, alebo ak sa práve naštartovaný motor zastaví pred použitím páčky sýtiča, vráťte páčku sýtiča do polohy OPEN (OTVORIŤ), niekoľkokrát potiahnite gombík štartéra a motor naštartujte.

**UPOZORNENIE:** Ak páčku sýtiča ponecháte v polohe CLOSE (ZATVORIŤ) a gombík štartéra opakovane úplne potiahnete, dôjde k nasatiu veľkého množstva paliva a motor sa bude dať ťažko naštartovať.



## ZASTAVENIE

- 1) Uvoľnite úplne páčku škrtiacej klapky (**B**) a po znížení hodnoty otáčok motora prepnite prepínač I-O (**A**) do polohy STOP; motor sa teraz zastaví.
- 2) Dávajte pozor, pretože sa príslušenstvo nemusí zastaviť okamžite, preto vyčakajte až do jeho úplného zastavenia.

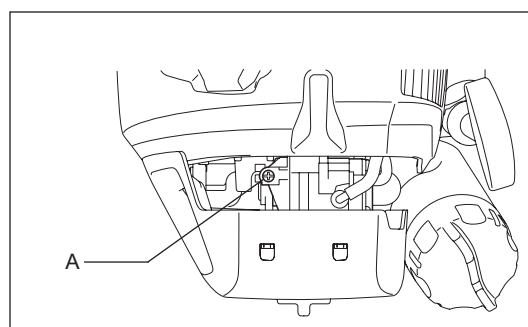


## NASTAVENIE OTÁČANIA PRI NÍZKYCH OTÁČKACH (VOĽNOBEH)

V prípade potreby nastaviť otáčanie pri nízkych otáčkach (voľnobeh), toto nastavenie vykonajte nastavovacou skrutkou karburátora (**A**).

## KONTROLA OTÁČANIA PRI NÍZKYCH OTÁČKACH

- Nastavte otáčanie pri nízkych otáčkach na hodnotu 3000 min<sup>-1</sup>. Ak je potrebné zmeniť rýchlosť otáčania, pomocou skrutkovača Phillips otáčajte nastavovacou skrutkou.
- Pri otáčaní nastavovacej skrutky doprava sa budú otáčky motora zvyšovať. Pri otáčaní nastavovacej skrutky doľava sa budú otáčky motora znižovať.
- Karburátor je vo všeobecnosti nastavený pred expedovaním. Ak je potrebné vykonať nastavenie, spojte sa s autorizovaným servisným strediskom.

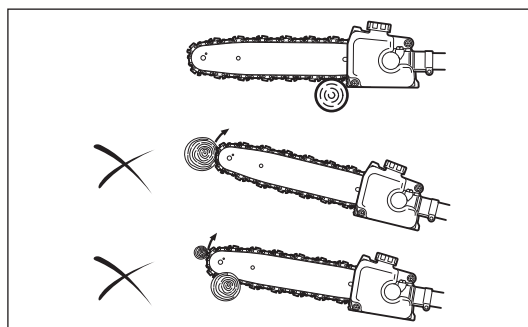
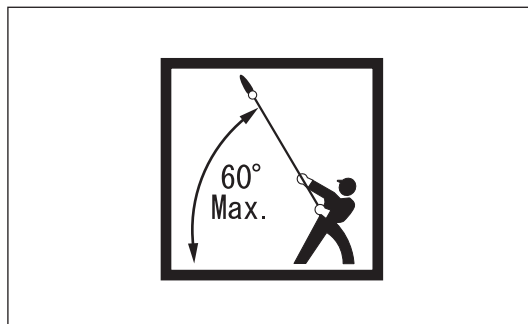


### Poloha v stoji

- Postavte sa na stabilný povrch. Uhol tyčovej píly musí byť 60° vzhľadom k horizontálnej zemi.
- Najprv orežte spodné vetvy; vetvy budú padať jednoduchšie.
- Vždy zachovávajte únikovú cestu pre prípad, že vetvy budú padať smerom k obsluhu.

### Spôsob

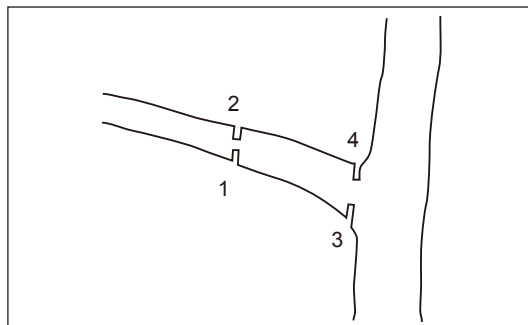
- Naštartujte motor a potiahnite škrtiacu klapku, až kým pílová reťaz nedosiahne maximálnu rýchlosť.
- Miernie pritlačte pílovú reťaz ku konáru. Na zariadenie netlačte, aby ste ho nepoškodili.
- Nikdy na rezanie nepoužívajte hrot lišty. V opačnom prípade môže dôjsť k nebezpečnému spätnému nárazu s následkom osobného poranenia.



### Tipy na rezanie hrubých konárov

Hrubé konáre režte nasledovným spôsobom.

1. Na spodnej strane konára urobte malý zárez, a to trochu ďalej od miesta, kde chcete rezať.
2. Prerežte konár zhora na mieste, kde ste predtým urobili zárez.
3. Na spodnej strane konára urobte ďalší malý zárez na mieste, kde chcete rezať.
4. Prerežte zhora na mieste, kde chcete rezať.



## POKYNY OHLĎADNE VYKONÁVANIA SERVISU

**UPOZORNENIE:** Pred vykonaním akejkoľvek práce na zariadení vždy vypnite motor a vyťahnite konektor zo zapalovacej sviečky (pozrite si časť „Kontrola zapalovacej sviečky“).

Vždy používajte ochranné rukavice!

Pri kontrole alebo údržbe zariadenia ho vždy položte na zem. Montáž alebo nastavenie zariadenia vykonávané vo vzpriamenej polohe môžu mať za následok vážne poranenie.

Pri vykonávaní servisu vždy nasadte kryt vodiacej lišty.

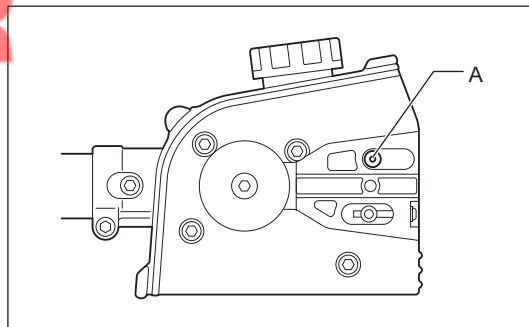
Aby ste zabezpečili dlhú prevádzkovú životnosť a aby ste zabránili poškodeniu zariadenia, v pravidelných intervaloch je potrebné vykonať nasledujúce servisné činnosti.

### Každodenná kontrola a údržba

- Pred prevádzkou skontrolujte strojné zariadenie z pohľadu uvoľnených skrutiek alebo chýbajúcich súčastí. Zvláštnu pozornosť venujte bezpečnému nainštalovaniu vyšpecifikovaného príslušenstva.
- Pred prevádzkou vždy skontrolujte zanesenie vedenia chladiaceho vzduchu a chladiace rebrá valca. V prípade potreby ich vyčistite.
- Každodenne po použití vykonajte nasledujúce:
  - Zariadenie očistite z vonkajšej strany a skontrolujte ho z pohľadu poškodení.
  - Vyčistite vzduchový filter. Pokiaľ pracujete v silne prašnom prostredí, filter vyčistite niekoľkokrát za deň.
  - Overte, že medzi otáčkami pri voľnobehu a otáčkami pri zaradení je dostatočný rozdiel, aby sa zabezpečilo, že príslušenstvo sa počas voľnobehu nepohybuje (v prípade potreby znížte otáčky pri voľnobehu). Pokiaľ sa počas voľnobehu náradie pohybuje, poraďte sa ohľadne tejto skutočnosti s najbližším autorizovaným servisným zástupcom.
- Skontrolujte fungovanie prepínača I-O, páčky odblokovania a ovládacej páčky.

## Čistenie otvoru prívodu reťazového oleja

Čistenie otvoru prívodu reťazového oleja (A) vykonávajte každý deň. Ak chcete k nemu získať prístup, demontujte držiak lišty a vodiacu lištu.

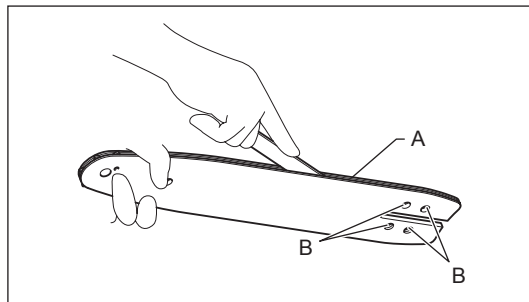


## Čistenie a kontrola vodiacej lišty

Vodiacu lištu čistite každý deň. Z drážky (A) a z otvoru prívodu reťazového oleja (B) odstráňte piliny.

Aby ste zabránili jednostrannému opotrebovaniu vodiacej lišty, pri každej výmene alebo ostrení pílovej reťaze lištu otočte.

Ak je drážka opotrebovaná, ohnutá, prasknutá alebo zdeformovaná, vodiacu lištu vymeňte.



## Kontrola pílovej reťaze

Ak máte pocit, že pílová reťaz je opotrebovaná, zdeformovaná, prasknutá alebo ak na rezanie musíte vynaložiť viac námahy, vymeňte ju, alebo požiadajte autorizované servisné stredisko spoločnosti Makita o jej naostrenie.

## Mazanie pohyblivých dielov

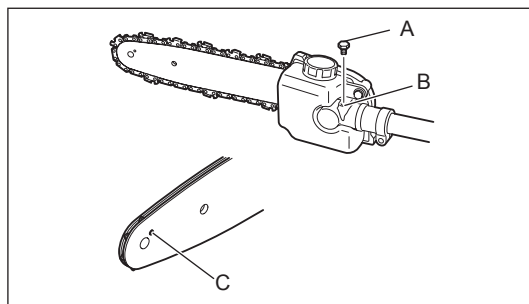
**VAROVANIE:** Dodržiavajte pokyny ohľadne frekvencie a množstva aplikovaného maziva. V opačnom prípade môže nesprávne mazanie poškodiť pohyblivé diely.

Prevodovka:

Demontujte uzáver mazacieho hrdla (A) a cez mazací otvor (B) doplňte mazivo na báze lítia, a to po každých 25 hodinách prevádzky.

Predná časť vodiacej lišty:

Po každých 10. hodinách prevádzky naneste mazivo (Shell Alvania č. 2 alebo ekvivalentné), a to cez mazací otvor (C).



## VÝMENA MOTOROVÉHO OLEJA

Znehodnotený motorový olej vo veľkej miere skracuje životnosť posuvných a rotačných častí. Kontrolujte pravidelnosť a množstvo vymeneného oleja.



**POZOR:** Vo všeobecnosti zostanú motorový olej a hlavná jednotka motora ihneď po zastavení motora horúce. Počas výmeny oleja sa presvedčte, že hlavná jednotka motora a motorový olej sú dostatočne chladné. V opačnom prípade hrozí riziko obarenia.

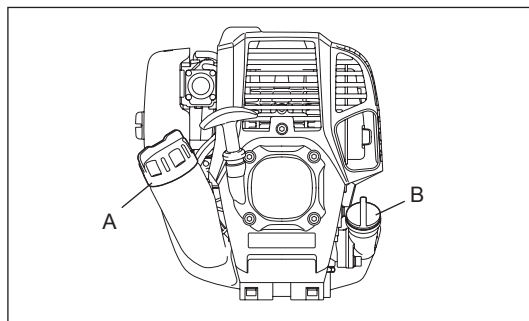
**Poznámka:** Pokiaľ je olej naplnený nad medznú hodnotu, môže dôjsť k jeho znečisteniu alebo sa môže vznietiť pri vydávaní bieleho dymu.

**Interval výmeny:** Na začiatku po ubehnutí 20 prevádzkových hodín a následne po ubehnutí každých 50 prevádzkových hodín

**Odporúčaný olej:** Olej SAE 10W-30 podľa klasifikácie API, trieda SF alebo vyššia (olej pre 4-taktné automobilové motory)

Počas výmeny vykonajte nasledujúci postup.

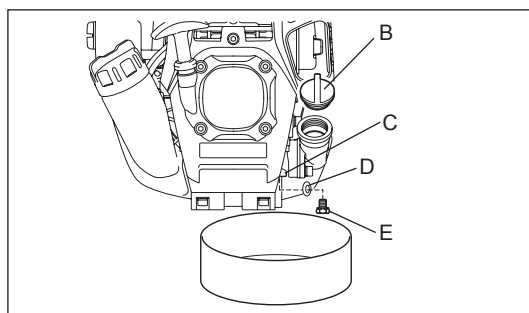
- 1) Presvedčte sa, že uzáver palivovej nádrže (A) je pevne utiahnutý.
- 2) Pod vypúšťací otvor (C) umiestnite veľkú nádobu (panvicu a pod.).



- 3) Demontujte vypúšťaciu skrutku (E) a následne demontujte uzáver olejovej nádrže (B) a cez vypúšťací otvor vypustite olej. Teraz dávajte pozor, aby ste nestratili tesnenie vypúšťacej skrutky (D), ani aby ste neznečistili žiadny z demontovaných prvkov.

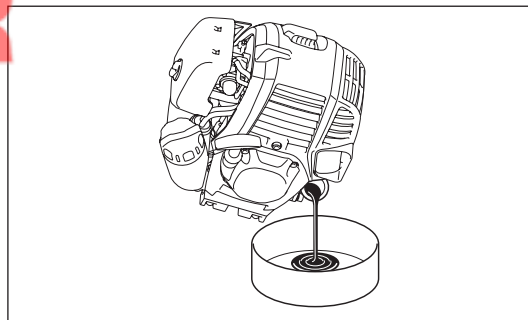
- 4) Po vypustení celého objemu oleja spojte tesnenie a vypúšťaciu skrutku a vypúšťaciu skrutku pevne utiahnite tak, aby nedošlo k jej uvoľneniu a vzniku únikov.

\* Pomocou tkaniny úplne utrite všetok olej zo skrutky a zariadenia.

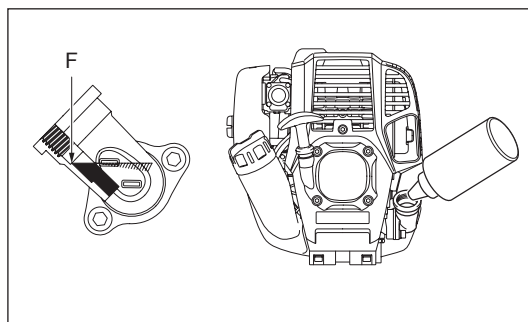
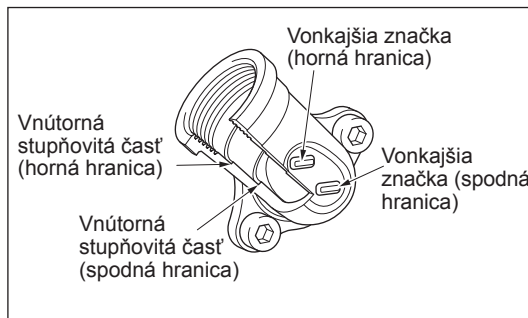


### Alternatívny spôsob vypúšťania

Demontujte uzáver olejovej nádrže, skloňte zariadenie smerom k otvoru na plnenie oleja a olej vypustíte. Olej zachyťte do nádrže.



- 5) Motor nastavte do vodorovnej polohy a novým olejom postupne doplňte po značku hornej hranice (F).
- 6) Po doplnení pevne utiahnite uzáver olejovej nádrže, aby sa neuvoľnil a nedochádzalo k unikaniu. Ak nebude uzáver olejovej nádrže dôkladne utesnený, môže dochádzať k unikaniu.



### BODY OHĽADNE OLEJA

- Starý olej nikdy nezneškodňujte vyliatím do odpadu, pôdy alebo kanalizácie. Zneškodňovanie oleja upravuje zákon. V rámci zneškodňovania vždy dodržiavajte patričné zákony a nariadenia. Pokiaľ sú vám niektoré body nejasné, spojte sa s autorizovaným servisným zástupcom.
- Olej sa znehodnotí aj v prípade, ak ho ponecháte bez spotrebovania. Kontrolu a výmenu vykonávajte v pravidelných intervaloch (výmenu za nový olej vykonajte každých 6 mesiacov).

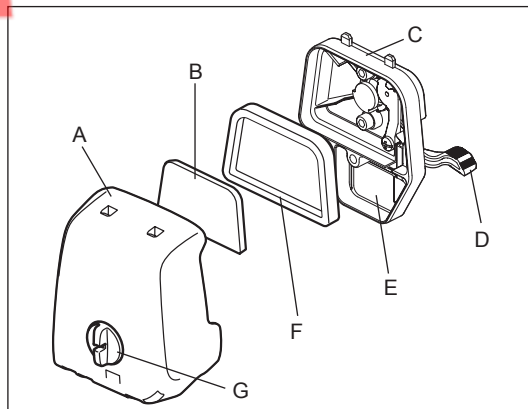
## ČISTENIE VZDUCHOVÉHO FILTRA



**NEBEZPEČENSTVO: PRÍTOMNOSŤ HORLAVÍN JE PRÍSNE ZAKÁZANÁ**

**Interval čistenia a kontroly: Každodenne (po ubehnutí každých 10 prevádzkových hodín)**

- Otočte páčku sýtiča (**D**) úplne na stranu zatvorenia a zabráňte prístupu prachu a špiny do karburátora.
- Uvoľnite upevňovaciu skrutku (**G**).
- Demontujte kryt vzduchového filtra (**A**) jeho potiahnutím za spodnú časť.
- Vyberte prvky (**B**) (**F**) a poklepaním odstráňte špinu.
- Ak sú prvky veľmi znečistené:  
Vyberte prvky, ponorte ich do teplej vody alebo do vody s pridaním neutrálneho čistiaceho prostriedku a nechajte úplne vyschnúť. Počas čistenia ich nežmýkajte ani nedrhňte.
- Pred osadením prvkov ich nechajte úplne vyschnúť. Nedostatočné vyschnutie prvkov môže viesť k ťažkému naštartovaniu.
- Olej usadený na kryte vzduchového filtra a prvku odvodušňovača (**E**) utrite handrou, ktorú zneškodníte do odpadu.
- Osadte prvok (špongia) (**B**) do prvku (plst') (**F**).  
Osadte prvky do platne (**C**) tak, aby špongia smerovala ku krytu vzduchového filtra.
- Okamžite nasadte kryt filtra a utiahnite upevňovacie skrutky. (Pri spätnom osadení najprv nasadte hornú čeľusť a následne dolnú čeľusť.)



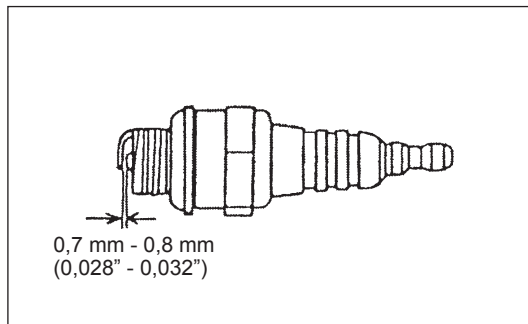
### VAROVANIE:

- Prvky v prípade, pokiaľ sa na ne zachytí nadmerné množstvo prachu čistite niekoľkokrát za deň. Zanesené prvky znižujú výkon motora a sťažujú naštartovanie motora.
- Odstráňte z prvkov olej. Pokiaľ budete pokračovať v činnosti s prvkami neočistenými od oleja, olej vo vnútri vzduchového filtra sa môže dostať von s následkom znečistenia prostredia.
- Prvky neukladajte na zem ani na znečistené miesto. V opačnom prípade sa na ne zachytí špina alebo úlomky a môže dôjsť k poškodeniu motora.
- Na čistenie prvkov nikdy nepoužívajte palivo. Palivo ich môže poškodiť.

### KONTROLA ZAPAĽOVACEJ SVIEČKY

- Na demontáž a inštaláciu zapaľovacej sviečky používajte len dodávaný univerzálny kľúč.
- Štrbina medzi elektródami zapaľovacej sviečky by mala byť 0,7 – 0,8 mm (0,028" – 0,032"). Ak je štrbina veľmi široká alebo veľmi úzka, upravte ju. Pokiaľ je zapaľovacia sviečka zanesená alebo zašpinená, dôkladne ju vyčistite alebo ju vymeňte.

**UPOZORNENIE:** Ak motor beží, nikdy sa nedotýkajte konektora zapaľovacej sviečky (riziko zasiahnutia vysokonapäťovým elektrickým prúdom).



## ČISTENIE PALIVOVÉHO FILTRA

**VÝSTRAHA: PRÍTOMNOSŤ HORĽAVÍN JE PRÍSNE ZAKÁZANÁ**



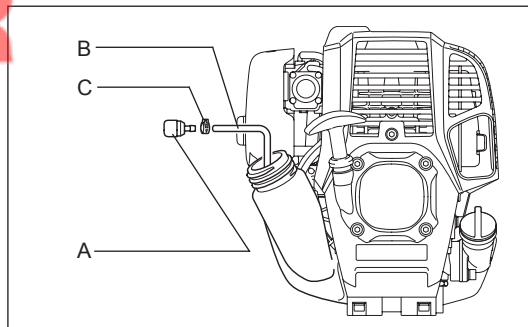
Interval čistenia a kontroly: Mesačne (po ubehnutí každých 50 prevádzkových hodín)

### Nasávacía hlava v palivovej nádrži

Palivový filter (A) pravidelne kontrolujte. Kontrolu palivového filtra vykonajte podľa dolu uvedených krokov:

- (1) Demontujte uzáver palivovej nádrže, vypustte palivo a nádrž vyprázdňte. Skontrolujte, či sa vnútri nádrže nenachádzajú cudzie materiály. Ak áno, vyberte ich.
- (2) Nasávaciu hlavu vytiahnite pomocou drôteného háka vytiahnutím cez otvor nádrže.
- (3) Ak je palivový filter mierne zanesený, vyčistte ho. Vyčistte ho jemným potrasením a vyklepaním v palive. Aby ste zabránili poškodeniu, filter nežmýkajte ani nedrhňte. Palivo použité na čistenie je nutné zneškodniť spôsobom podľa nariadení platných vo vašej krajine. Ak palivový filter stvrдне alebo bude značne zanesený, vymeňte ho.
- (4) Po kontrole, čistení a výmene zasuňte palivový filter do palivovej rúrky (B) a upevnite ho hadicovou svorkou (C). Palivový filter zatlačte na doraz do spodnej časti palivovej nádrže.

Zanesený alebo poškodený palivový filter môže spôsobovať nedostatočný prívod paliva a znižovať výkon motora. Vymeňte palivový filter aspoň raz za štvrtrok, aby ste zabezpečili uspokojivý prívod paliva do karburátora.



## VÝMENA PALIVOVEJ RÚRKY

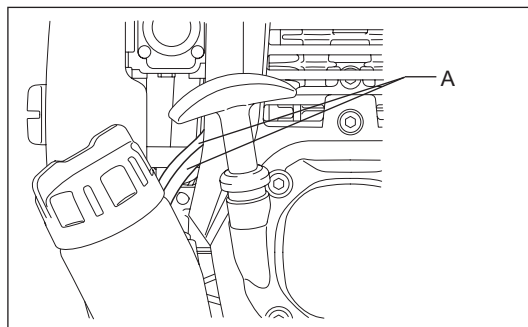
**UPOZORNENIE: PRÍTOMNOSŤ HORĽAVÍN JE PRÍSNE ZAKÁZANÁ**

Interval čistenia a kontroly: Každodenne (po ubehnutí každých 10 prevádzkových hodín)

Výmena: Každoročne (po ubehnutí každých 200 prevádzkových hodín)

Palivovú rúrku (A) vymeňte každoročne bez ohľadu na frekvenciu prevádzkovania. Unikanie paliva môže spôsobiť požiar.

Ak počas kontroly zistíte akékoľvek unikanie, okamžite vymeňte palivovú rúrku.



## KONTROLA SVORNÍKOV, MATÍC A SKRUTIEK

- Utiahnite uvoľnené svorníky, matice atď.
- Skontrolujte, či nedochádza k unikaniu paliva a oleja.
- Kvôli bezpečnej prevádzke vymeňte poškodené súčasti.

## ČISTENIE SÚČASTÍ

- Motor vždy udržiavajte v čistom stave.
- Chladiace rebrá valca udržiavajte pozbavené prachu a nečistôt. Prach alebo špina zachytené na rebrách spôsobujú zaseknutie piesta.

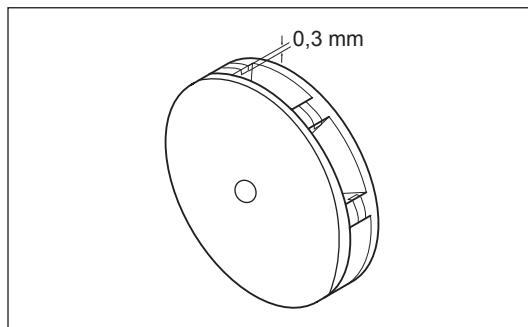
## VÝMENA TESNENÍ A UPCHÁVOK

Po montáži vykonanej po demontáži motora vymeňte tesnenia a upchávkové za nové.

Akúkoľvek údržbu alebo nastavenie, ktoré nie sú obsiahnuté a popísané v tomto návode, smie vykonávať len autorizovaný servisný zástupca.

## KONTROLA OZUBENÉHO KOLESA

Po každých 50. hodinách používania skontrolujte opotrebovanie ozubeného kolesa. Vymeňte ho, ak značky opotrebovania budú hlboké 0,3 mm a viac.



### Pílovú reťaz ostríte, keď:

- pri rezaní vlhkého dreva vznikajú prachové piliny;
- reťaz vniká ťažko do dreva aj pri veľkom tlaku;
- rezacia hrana je zjavne poškodená;
- píla ťahá v dreve napravo alebo naľavo. Dôvodom je nerovnomerne nabrúsená reťaz alebo poškodenie na jednej jej strane.

### Pílovú reťaz ostríte často, ale vždy odstráňte len trochu materiálu.

Dva alebo tri ťahy pilníkom zvyčajne stačia na bežné ostrenie. Ak bola reťaz preostrená niekoľkokrát, nechajte ju naostriť v autorizovanom servisnom stredisku servisu MAKITA.

### Kritériá ostrenia:

- Dĺžka všetkých nožov (**A**) musí byť rovnaká. Nože rôznej dĺžky bránia plynulej funkcii reťaze a môžu spôsobiť jej zničenie.
- Hrúbku triesok určuje vzdialenosť medzi hĺbkovým dorazom (okrúhly nos) a rezacou hranou (**B**).
- Najlepšie rezanie dosiahnete s nasledovnou vzdialenosťou medzi rezacou hranou a hĺbkovým dorazom.

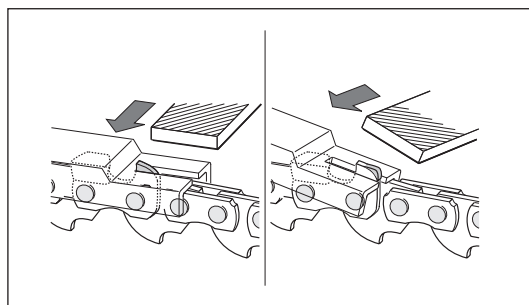
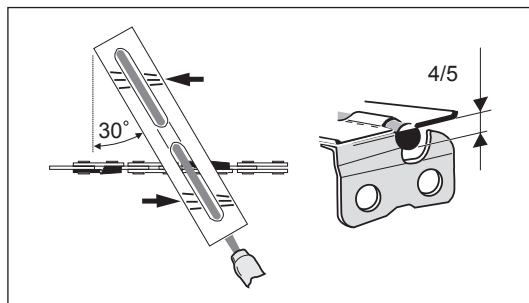
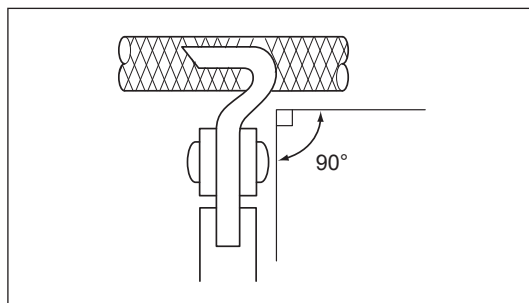
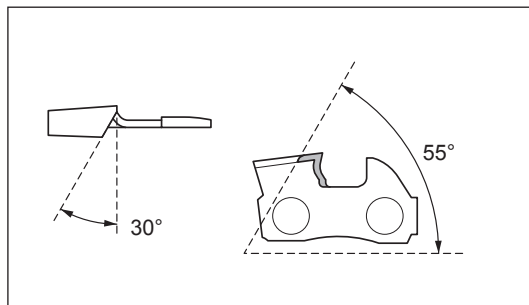
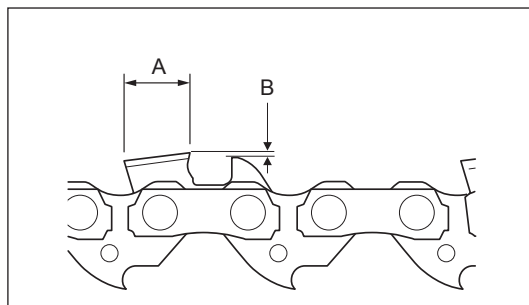
Reťazové ostrie 91VXL: 0,64 mm (0,025")

**⚠ VÝSTRAHA:** Príliš veľká vzdialenosť zvyšuje nebezpečenstvo spätných nárazov.

- Na všetkých nožoch musí byť rovnaký uhol ostrenia 30°. Rozdiely v uhle spôsobujú, že reťaz funguje hrubo a nerovnomerne, zrýchľuje sa opotrebovanie a poškodzuje sa reťaz.
- Uhol bočnej platne noža je určený hĺbkou prieniku okrúhleho pilníka. Ak sa určený pilník používa správne, automaticky sa vytvorí správny uhol.
- Správny uhol pre každú pílovú reťaz je nasledovný:  
Reťazové ostrie 91VXL: 55°

### Pilník a vedenie pilníka

- Na ostrenie reťaze používajte špeciálny okrúhly pilník (voliteľné príslušenstvo). Bežné okrúhle pilníky nie sú vhodné.
- Priemer okrúhleho pilníka pre každú pílovú reťaz je nasledovný:  
Reťazové ostrie 91VXL: 4,0 mm (5/32")
- Pilník by sa mal pohybovať po noži len smerom dopredu. Pri návrate do východiskovej polohy zdvihnite pilník z noža.
- Najprv naostríte najkratší nôž. Potom sa dĺžka tohto najkratšieho noža stane štandardnou pre všetky ostatné nože pílovej reťaze.
- Pilník vedzte podľa obrázka.
- Pilník sa pohybuje omnoho ľahšie, ak má držiak (voliteľné príslušenstvo). Držiak pilníka má značky pre správny uhol ostrenia 30° (zarovnajte značky rovnobežne s pílovou reťazou) a obmedzenie vniknutia (na 4/5 priemeru pilníka).
- Po naoštrení reťaze skontrolujte výšku hĺbkového dorazu pomocou náradia na kontrolu reťaze (voliteľné príslušenstvo).
- Špeciálnym plochým pilníkom odstráňte všetko, čo prečnieva, aj keď len malé (voliteľné príslušenstvo).
- Znovu zaoblite prednú časť hĺbkového dorazu.





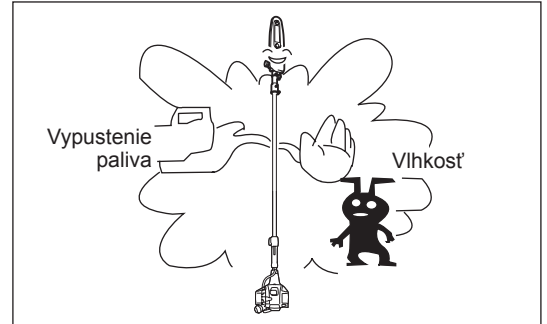


**VÝSTRAHA: Pred vypúšťaním oleja zastavte motor a nechajte ho vychladnúť. Ihneď po zastavení motora je motor horúci.**

**Počkajte, kým nevychladne; v opačnom prípade môže spôsobiť popáleniny alebo požiar.**

Pri dlhodobom nepoužívaní zariadenia vykonajte nasledovné:

- Palivo z palivovej nádrže a z karburátora vypustíte podľa nasledujúceho postupu:
  - 1) Snímate uzáver palivovej nádrže a celý objem paliva vypustíte. Pokiaľ sa v palivovej nádrži nachádza cudzie teleso, vyberte ho.
  - 2) Pomocou drôtu vytiahnite z otvoru na plnenie palivový filter.
  - 3) Vstrekovacie čerpadlo stláčajte dokiaľ z neho nevypustíte celý objem paliva a palivo prichádzajúce do palivovej nádrže vypustíte.
  - 4) Do palivovej nádrže vložte filter a bezpečne utiahnite uzáver palivovej nádrže.
  - 5) Následne motor nechajte bežať, dokiaľ nezastane.
- Vypustíte reťazový olej.
- Demontujete pílovú reťaz a vodiacu lištu.
- Vyčistíte vodiacu drážku vodiacej lišty.
- Slabo namažete pílovú reťaz a vodiacu lištu.
- Demontujete zapaľovaciu sviečku a do otvoru zapaľovacej sviečky nakvapkajte niekoľko kvapiek motorového oleja.
- Jemne potiahnite rukoväť štartéra a to tak, aby sa olej rozšíril po motore; následne namontujte zapaľovaciu sviečku.
- Vo všeobecnosti strojné zariadenie skladujte v horizontálnej polohe. Ak to nie je možné, strojné zariadenie umiestnite tak, aby jednotka motora bola pod rezným náradím. V opačnom prípade môže motorový olej zvnútra unikať.
- Vždy venujte pozornosť uskladneniu strojného zariadenia na bezpečnom mieste, aby ste zabránili poškodeniu a osobným poraneniam.
- Vypustené palivo uskladnite v špeciálnej nádobe na dobre vetranom tienistom mieste.



**Pozornosť, ktorú treba venovať po dlhodobom uskladnení**

- Pred naštartovaním po dlhodobom uskladnení vymeňte motorový olej (pozrite si časť „VÝMENA MOTOROVÉHO OLEJA“). Počas doby, kedy je stroj mimo prevádzky dôjde k znehodnoteniu oleja.

**Identifikácia chýb**

Chyba	Systém	Pozorovanie	Príčina
Motor neštartuje, alebo štartuje s problémami	Systém zapaľovania	Zapaľovacia sviečka je v poriadku  Žiadna zapaľovacia iskra	Chyba prívodu paliva alebo systému kompresie; mechanická chyba  Bol použitý vypínač STOP; chybné vedenie alebo skrat; chybná zapaľovacia sviečka alebo konektor; chybný modul zapaľovania
	Prívod paliva	Palivová nádrž je naplnená	Nesprávna poloha škrtiacej klapky; chybný karburátor; vedenie paliva je ohnuté alebo zablokované; palivo je znečistené
	Kompresia	Po zatiahnutí nedochádza ku kompresii	Chybné spodné tesnenie valca; poškodené tesnenia kľukového hriadeľa; tesniace krúžky valca alebo piesta sú chybné, alebo nie je správne tesnenie zapaľovacej sviečky
	Mechanická chyba	Štartér nenabieha	Zlomená pružina štartéra; zlomené súčasti vo vnútri motora
Problémy pri teplom štarte		Nádrž je plná; dochádza k zapaľovacej iskre	Karburátor je znečistený, nechajte ho vyčistiť
Motor sa spustí, ale samovoľne zastane	Prívod paliva	Nádrž je naplnená	Nesprávne nastavenie voľnobehu; znečistený karburátor  Odvzdušňovanie palivovej nádrže je chybné; prívod paliva je prerušený, kábel alebo vypínač STOP sú chybné
Nedostatočný výkon	Možno je súčasne chybných niekoľko systémov	Voľnobeh motora je slabý	Znečistený vzduchový filter; znečistený karburátor; zanesený tlmíč výfuku; výfukové vedenie valca je zanesené

Prevádzková doba Položka		Pred	Po	Každodenne	25 h	50 h	200 h	Vypnutie/ odpočinok
		prevádzkou	namazaní	(10 h)				
Celá jednotka	Vizuálne skontrolujte	<input type="radio"/>						
Motorový olej	Kontrola	<input type="radio"/>						
	Vymeňte					<input type="radio"/> *1		
Uťahnutie súčastí (skrutky, matice)	Kontrola	<input type="radio"/>						
Palivová nádrž	Kontrola	<input type="radio"/>						
	Vypustenie paliva							<input type="radio"/> *3
Ovládanie škrtiacej klapky	Kontrola funkcie	<input type="radio"/>	<input type="radio"/>					
Vypínač Stop	Kontrola funkcie	<input type="radio"/>	<input type="radio"/>					
Voľnobežné otáčky	Kontrola/nastavenie			<input type="radio"/>				
Vzduchový filter	Vyčistite			<input type="radio"/>				
Zapaľovacia sviečka	Kontrola			<input type="radio"/>				
Vedenie chladiaceho vzduchu	Čistenie/kontrola			<input type="radio"/>				
Palivová rúrka	Kontrola			<input type="radio"/>				
	Vymeňte						<input type="radio"/> *2	
Palivový filter	Čistenie/výmena					<input type="radio"/>		
Svetlosť ventilu (prívodný ventil a výfukový ventil)	Kontrola/nastavenie						<input type="radio"/> *2	
Generálna oprava motora							<input type="radio"/> *2	
Karburátor	Vypustenie paliva							<input type="radio"/> *3
Otvor prívodu reťazového paliva	Vyčistite			<input type="radio"/>				
Vodiaca lišta	Vyčistite drážku a otvor prívodu reťazového oleja			<input type="radio"/>				
	Kontrola			<input type="radio"/>				
	Naneste mazivo			<input type="radio"/>				
Prevodovka	Naneste mazivo				<input type="radio"/>			
Ozubené koleso	Kontrola					<input type="radio"/>		
Píllová reťaz	Vymeňte alebo požiadajte o naostrenie							<input type="radio"/> *4

\*1 Počiatočnú výmenu vykonajte po 20 hodinách prevádzky.

\*2 O vykonanie kontroly po 200 hodinách prevádzky požiadajte autorizované servisné stredisko.

\*3 Po vyprázdnení palivovej nádrže nechajte motor bežať a vypustíte palivo z karburátora.

\*4 Ak sa požaduje.

## RIEŠENIE PROBLÉMOV



Pred požiadanim o vykonanie opravy skontrolujte chybu sami. Pokiaľ zistíte nie bežné fungovanie, strojné zariadenie skontrolujte podľa popisu v tomto návode. Nikdy neupravujte ani nedemontujte žiadnu časť iným než predpísaným spôsobom. O opravu požiadajte autorizovaného servisného zástupcu alebo miestneho predajcu.

Chybný stav	Možná príčina (chyba)	Náprava
Motor nenašartuje	Chyba činnosti vstrekovacieho čerpadla.	Stlačte 7 až 10 krát.
	Nízka rýchlosť ťahu lanka štartéra.	Potiahnite silne.
	Nedostatočný objem paliva.	Doplňte palivo.
	Zanesený palivový filter.	Vyčistite ho.
	Odpojená palivová rúrka.	Palivovú rúrku správne pripojte.
	Ohnutá palivová rúrka.	Narovnajte palivovú rúrku.
	Znehodnotené palivo.	Znehodnotené palivo zhoršuje naštartovanie vo veľkej miere. Vymeňte za nové palivo. (Odporúčaná výmena: 1 mesiac).
	Nadmerné nasávanie paliva.	Nastavte ovládanie škrtiacej klapky zo stredných otáčok na vysoké otáčky a potiahnite rukoväť štartéra dokiaľ motor nenašartuje. Po naštartovaní motora sa pílová reťaz začne otáčať. Dávajte na pílovú reťaz pozor. Ak aj napriek tomu motor nenašartuje, vyberte zapalovaciu sviečku, vysušte elektródu a poskladajte do pôvodného stavu. Následne naštartujte uvedeným spôsobom.
	Odpojený konektor zapalovacej sviečky.	Bezpečne nasadte.
	Znečistená zapalovacia sviečka.	Vyčistite ju.
	Neštandardné iskrište zapalovacej sviečky.	Iskrište nastavte.
	Iný, nie bežný stav zapalovacej sviečky.	Vymeňte ju.
	Nie bežné fungovanie karburátora.	Požiadajte o vykonanie kontroly a údržby.
	Lanko štartéra nemožno potiahnuť.	Požiadajte o vykonanie kontroly a údržby.
Nie bežné fungovanie hnacieho systému.	Požiadajte o vykonanie kontroly a údržby.	
Motor sa skoro zastaví Otáčky motora sa nezvyšujú	Nedostatočné zahrievanie.	Vykonajte zahriatie.
	Páčka sýtiča je v polohe „CLOSE (ZATVORIŤ)“, hoci je motor zahrievaný.	Nastavte do polohy „OPEN (OTVORIŤ)“.
	Zanesený palivový filter.	Vyčistite ho.
	Zanesený alebo znečistený vzduchový filter.	Vyčistite ho.
	Nie bežné fungovanie karburátora.	Požiadajte o vykonanie kontroly a údržby.
	Nie bežné fungovanie hnacieho systému.	Požiadajte o vykonanie kontroly a údržby.
Reťazový olej sa neprivádza.	Olejová nádrž je prázdna.	Olejovú nádrž naplňte reťazovým olejom.
	Otvor prívodu reťazového oleja je zašpinený.	Otvor prívodu reťazového oleja na jednotke a vodiacej lište vyčistite.
	Nastavovacia skrutka rýchlosti prívodu motorového oleja je nesprávne nastavená.	Nastavovaciu skrutku nastavte správnym spôsobom.
Pílová reťaz sa neotáča ↓ Motor okamžite zastavte	Vodiaca lišta je ohnutá alebo poškodená.	Vymeňte vodiacu lištu.
	Cudzie teleso zachytené pílovou reťazou.	Keď je motor zastavený, odstráňte cudzie teleso.
Zariadenie vibruje nie bežným spôsobom ↓ Motor okamžite zastavte	Nie bežné fungovanie hnacieho systému.	Požiadajte o vykonanie kontroly a údržby.
	Zlomená, ohnutá alebo opotrebovaná vodiaca lišta.	Vymeňte vodiacu lištu.
	Uvoľnená pílová reťaz.	Nastavte napnutie pílovej reťaze.
Pílová reťaz sa nezastaví ↓ Motor okamžite zastavte	Nie bežné fungovanie hnacieho systému.	Požiadajte o vykonanie kontroly a údržby.
	Vysoké voľnobežné otáčky.	Nastavte voľnobežné otáčky.
	Problém s drôtom ovládania škrtiacej klapky.	O výmenu požiadajte servisné stredisko.
Motor sa nezastaví ↓ Spustíte motor na voľnobeh a páčku sýtiča nastavte do polohy CLOSE (ZATVORIŤ)	Nie bežné fungovanie hnacieho systému.	Požiadajte o vykonanie kontroly a údržby.
	Odpojený konektor prepínača I-O.	Bezpečne pripojte.
	Nie bežné fungovanie elektrického systému.	Požiadajte o vykonanie kontroly a údržby.

Ak motor po zahrievaní nenašartuje:

Ak nedochádza k žiadnemu nie bežnému stavu uvedenému v položkách kontroly, otvorte škrtiacu klapku o asi 1/3 a motor naštartujte.

Děkujeme za zakoupení motorové teleskopické tyčové pily MAKITA. S potěšením vám představujeme motorovou teleskopickou tyčovou pilu MAKITA. Tento produkt je výsledkem dlouhého vývojového programu a záručením dlouholetých znalostí a zkušeností v této oblasti. Pročtěte si tuto brožuru, jež se podrobně věnuje nejrůznějším faktům svědčícím o mimořádné výkonnosti našeho produktu. Tato publikace vám při využívání motorové teleskopické tyčové pily MAKITA pomůže dosáhnout nejlepších možných výsledků.



Obsah	Strana
Symbole .....	177
Bezpečnostní pokyny .....	178
Technická data .....	184
Popis dílů .....	185
Montáž a seřízení .....	186
Než začnete pracovat .....	189
Obsluha a zastavení zařízení .....	191
Provoz .....	193
Servisní pokyny .....	193
Skladování .....	199

## SYMBOLY

Při čtení návodu k obsluze narazíte na následující symboly.

	Přečtěte si návod k obsluze a dodržujte varování a bezpečnostní opatření!		Nepřibližujte se k otevřenému ohni!
	Buďte obzvláště opatrní a dávejte pozor!		Řetězový olej.
	Používejte ochrannou přilbu a ochranu zraku a sluchu.		Zamezte vstupu na pracoviště všem osobám a zvířatům!
	Nutnost použít ochranné rukavice!		Palivo (benzín)
	Noste pevnou obuv s protiskluzovou podrážkou.		Ruční startování motoru
	Dodržujte alespoň 15 m vzdálenost mezi zařízením a přihlížejícími osobami či elektrickým vedením (včetně větví dotýkajících se vedení). Nebezpečí úrazu elektrickým proudem a zranění.		První pomoc
	Tyčovou pilu nikdy nedržte ve větším než 60° úhlu.		ZAP./START
	Rychlost řetězu.	○	VYP./STOP
	Zakázáno!		Nouzové zastavení
	Zákaz kouření!		

### Obecné pokyny

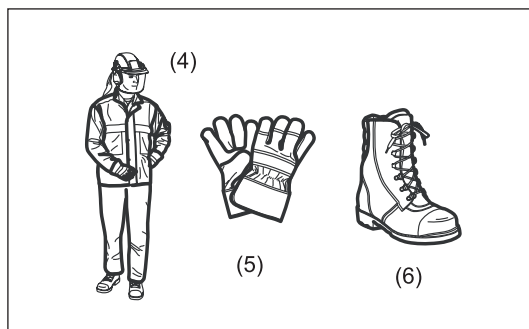
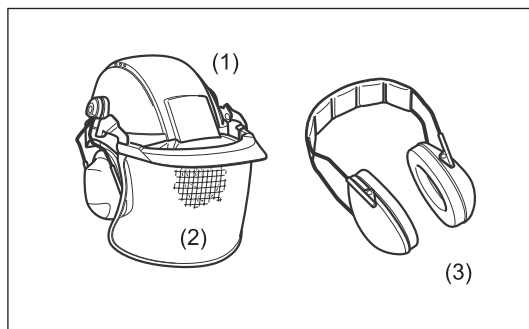
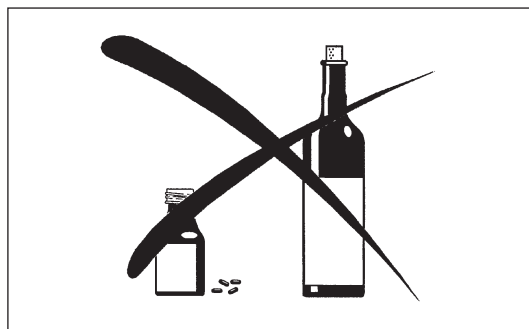
- K zajištění správného provozu je nutné, aby si uživatelé přečetli tento návod k obsluze a seznámili se s obsluhou zařízení. Nedostatečně informovaní uživatelé mohou v důsledku nesprávné manipulace vystavit nebezpečí sebe i další osoby.
- Zařízení doporučujeme půjčovat pouze osobám s prokázanými zkušenostmi s obsluhou.  
Se zařízením vždy předávejte rovněž návod k obsluze.
- Začínající uživatelé by se měli obrátit na prodejce s žádostí o základní pokyny, aby se obeznámili s obsluhou motorového nářadí.
- Zařízení nesmí obsluhovat děti a osoby mladší 18 let. Osoby starší 16 let sice mohou zařízení používat za účelem získání praxe, avšak pouze pod dohledem kvalifikované osoby.
- Zařízením používejte vždy s maximální opatrností a obezřetností.
- Se zařízením pracujte pouze pokud jste v dobrém fyzickém stavu. Veškerou práci provádějte klidně a opatrně. Uživatel přebírá odpovědnost i za ostatní osoby.
- Zařízení nikdy nepoužívejte po požití alkoholu či léků a ani pokud jste unavení či nemocní.
- Zařízení se nikdy nepokoušejte upravovat.
- Používání zařízení může být omezeno národními předpisy. Při práci dodržujte směrnice k obsluze tyčových a řetězových pil platné ve vaší zemi.

### Účel použití nářadí

Zařízení je určeno pouze pro účely prořezávání větví o průměru menším než 15 cm. Zařízení nikdy nepoužívejte k žádným jiným účelům. Nesprávné použití zařízení může způsobit vážné zranění.

### Osobní ochranné pomůcky

- Používejte vhodný a funkční oděv – přiléhavý a neomezující v pohybu. Nenoste šperky ani oděv, který by se mohl zachytit o houští či křoviny.
- Při práci je nutné používat následující ochranné prostředky a ochranný oděv zamezující zranění hlavy, očí, rukou, nohou či poškození sluchu.
- Při nebezpečí odlétávajících úlomků vždy noste ochrannou přilbu. Ochrannou přilbu (1) pravidelně kontrolujte, zda není poškozena. Přilbu je třeba nejpozději po pěti letech vyměnit. Používejte pouze schválené ochranné přilby.
- Ochranný štít (2) přilby (případně ochranné brýle) chrání tvář před odletujícími úlomky či kameny. K zamezení zranění očí noste při práci vždy ochranné brýle nebo štít.
- K zamezení poškození sluchu používejte vhodné chrániče sluchu (ochranná sluchátka (3), ucpávky do uší, apod.).
- Pracovní kombinézy (4) chrání před odletujícími kameny a úlomky. Uživatelům důrazně doporučujeme, aby pracovní kombinézy používali.
- Součástí předepsaného vybavení tvoří speciální rukavice (5) ze silné kůže, jež musí obsluha při práci vždy nosit.
- Při práci se zařízením vždy noste pevnou obuv (6) s protiskluzovou podrážkou. Zamezíte tak zraněním a zajistíte si správný postoj.
- Při manipulaci s pilovým řetězem a při jeho napínání noste ochranné rukavice. Nechráněné ruce si můžete o pilový řetěz vážně poranit.



## Bezpečnost na pracovišti



- **⚠ Výstraha:** S tyčovou pilou se nepřibližujte více než na 15 m k elektrickému vedení a komunikačním kabelům (včetně větví, které se jich dotýkají). Kontakt či přiblížení tyčové pily s vysokonapětovým vedením může vést ke smrti či vážnému zranění. Před zahájením práce obhlédněte na pracovišti elektrická vedení a elektrické ohradníky.
- S tyčovou pilou pracujte pouze při dobré viditelnosti a za denního světla. S tyčovou pilou nepracujte ve tmě či v mlze.
- Motor startujte a používejte pouze venku – v době větraných prostorách. Provoz ve stísněných či nedostatečně větraných prostorách může způsobit smrt udušením či otravu oxidem uhelnatým.
- Při práci nikdy nestůjte na nestabilních či kluzkých plochách ani na strmých svazích. Za chladného počasí dejte pozor na led či sníh a vždy si zajistěte bezpečný postoj.
- S tyčovou pilou pracujte ve vzdálenosti alespoň 15 m od zvířat nebo přihlížejících osob. Zpozorujete-li, že se k vám někdo blíží, vypněte co nejdříve motor.
- Před zahájením práce prohlédněte pracoviště a uvědomte si výskyt drátěných plotů, zdí či jiných pevných objektů. Mohly by poškodit pilový řetěz.
- **⚠ VAROVÁNÍ:** Používáním zařízení můžete zvířít prach obsahující chemikálie, jež mohou způsobit dýchací či jiná onemocnění. Mezi takové chemikálie mohou patřit například sloučeniny nacházející se v pesticidech, insekticidech, hnojivech a herbicidech. Riziko spojené s expozicí se liší podle toho, jak často tento typ práce provádíte. Omezte kontakt s těmito chemikáliemi: Pracujte v době větraných prostorách a používejte schválené bezpečnostní vybavení, jako jsou například protiprachové masky určené speciálně k odfiltrování mikročástic.

## Uvedení do provozu

- Před sestavováním či seřizováním zařízení vypněte motor a odpojte konektor zapalovací svíčky.
- Před startováním motoru zkontrolujte, zda není zařízení poškozené, zda nemá povolené šrouby či matice a zda není nesprávně sestaveno. Tupý pilový řetěz naostřete. Jestliže je pilový řetěz ohnutý nebo poškozený, vyměňte jej. Zkontrolujte volný pohyb všech ovládacích páček a spínačů. Držadla vyčistěte a vysušte.
- Nikdy se nepokoušejte startovat motor, pokud je zařízení poškozeno nebo nekompletně sestaveno. V opačném případě může dojít k vážným zraněním.
- Seřídte správné napnutí řetězu. V případě potřeby doplňte řetězový olej.

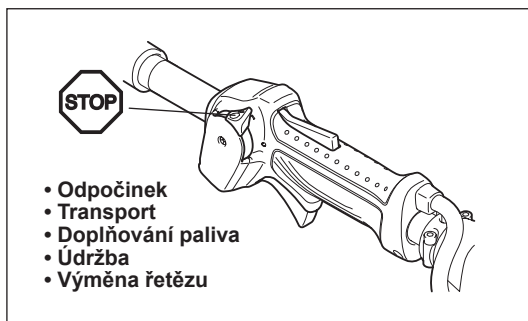
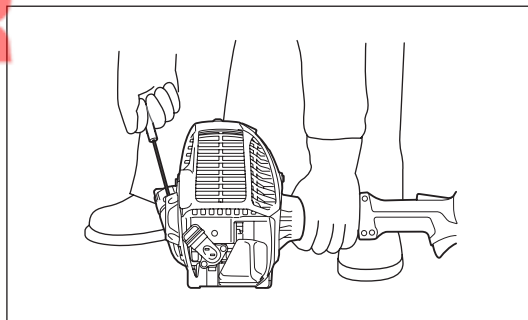
## Startování motoru

- Ujistěte se, zda nejsou v blízkosti žádné děti a další osoby a také dejte pozor na zvířata poblíž místa vykonávané práce.
- Před nastartováním motoru si nasadte osobní ochranné pomůcky.
- Zkontrolujte správné nasazení nástavce, snadný pohyb ovládací páčky a správnou funkci odjišťovací páčky.
- Jestliže se pilový řetěz ve volnoběžných otáčkách pohybuje, vypněte motor a snižte otáčky volnoběhu. V případě pochybností požádejte o seřízení autorizované servisní středisko. Zkontrolujte, zda jsou držadla čistá a suchá a vyzkoušejte funkci přepínače start/stop.



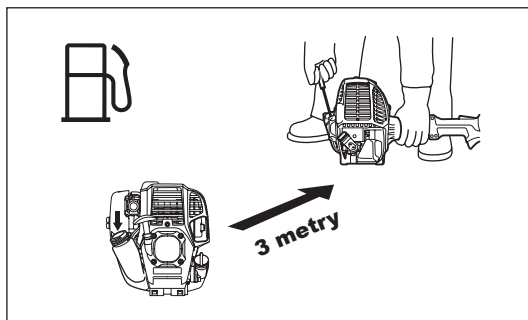
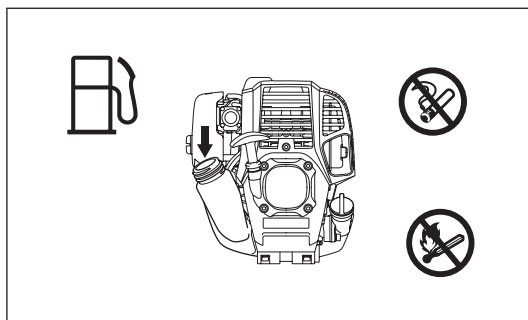
Motor startujte pouze v souladu s pokyny.

- Nepoužívejte žádné jiné metody startování motoru!
- Zařízení položte na pevnou zem. Udržujte dobrou rovnováhu a zajistěte si bezpečný postoj.
- Při tahání za startovací madlo přidržíte zařízení levou rukou pevně u země. Nikdy nešlapejte na hřídelovou tyč.
- Před startováním motoru se ujistěte, zda nejsou na pracovišti žádné osoby ani zvířata.
- Při startování motoru držte pilový řetěz a vodicí lištu od těla a mimo kontakt s jinými předměty včetně terénu. Při startování se pilový řetěz může rozběhnout a způsobit zranění nebo se může poškodit či poničit majetek.
- V případě jakýchkoli problémů s motorem je nutné motor okamžitě vypnout.
- Jestliže pilový řetěz narazí do kamenů či jiných tvrdých předmětů, ihned vypněte motor a zařízení prohlédněte.
- Zařízení používejte pouze s připevněným ramenním popruhem, jenž je třeba před uvedením zařízení do provozu vhodně upravit. Nastavení ramenního popruhu podle velikosti uživatele je nutné k omezení námahy během práce. Při práci nářadí nikdy nedejte jen jednou rukou.
- S motorem běžícím pouze ve volnoběhu si nasadte zádový postroj. Při práci držte zařízení pevně po svém pravém boku.
- Během provozu musí být použity všechny ochranné prvky a kryty dodané k zařízení.
- Nikdy nepracujte se zařízením s vadným tlumičem výfuku.
- Kromě případu nouze zařízení nikdy nepouštějte ani neodhazujte na zem, neboť by se mohlo vážně poškodit.



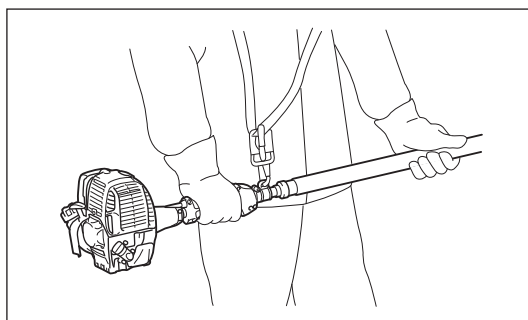
### Doplňování paliva

- Při doplňování paliva vypněte motor, nepřibližujte se k otevřenému ohni a nekuřte.
- Zamezte kontaktu produktů z minerálních olejů s pokožkou. Nevdechujte výpary paliva. Při doplňování paliva vždy používejte ochranné rukavice. Ochranný oděv v pravidelných intervalech vyměňujte a perte.
- Počínejte si opatrně, abyste rozlítím paliva nebo oleje nezpůsobili kontaminaci půdy (chráňte životní prostředí). Při potřísnění palivem zařízení okamžitě očistěte.
- Zamezte kontaktu oděvu s palivem. Při polítky palivem si oděv okamžitě vyměňte (zamezte možnosti vzplanutí).
- Pravidelně kontrolujte víčko palivové nádrže. Ujistěte se tak, že je správně dotaženo a palivo neuniká.
- Víčko palivové nádrže pečlivě dotáhněte. Při startování motoru změňte polohu (postavte se alespoň 3 metry od místa doplňování paliva).
- Palivo nikdy nedoplňujte v uzavřených místnostech. Výpary paliva se shromažďují nízko nad povrchem (nebezpečí výbuchu).
- Palivo přepravujte a skladujte pouze ve schválených nádobách. Zajistěte, aby ke skladovanému palivu neměly přístup děti.



### Provoz

- V případě nouze okamžitě vypněte motor.
- Jestliže při provozu zpozorujete něco neobvyklého (např. hluk či vibrace), vypněte motor. Do rozpoznání a odstranění příčiny zařízení nepoužívejte.
- Po uvolnění páčky plynu pokračuje pilový řetěz ještě krátkou dobu v pohybu. Vyčkejte, a pilového řetězu se nedotýkejte.
- Levou rukou uchopte přední držadlo a pravou rukou zadní držadlo – ať už jste praváči nebo leváci. Držadla obemkněte prsty a palci.
- Nikdy se nesnažte zařízení obsluhovat jen jednou rukou. Ztráta kontroly může mít za následek vážné či smrtelné zranění. V rámci omezení nebezpečí zranění nepřibližujte k ostří zařízení ruce ani nohy.
- Nepřeceňujte vlastní schopnosti. Vždy zaujměte pevný postoj bez ztráty rovnováhy.
- Dávejte pozor na skryté překážky jako jsou například pařezy, kořeny či výmoly, abyste neklopýtlí. Ořezané větve a jiné předměty odkliděte.
- Jestliže zařízení utrpí prudký náraz nebo pokud upadne, zkontrolujte před obnovením práce jeho stav. Překontrolujte, zda z palivového systému neuniká palivo a zda nedošlo k poruše ovládacích prvků a bezpečnostního zařízení. V případě zjištění poškození či v pochybnostech požádejte o prohlídku a opravu autorizované servisní středisko Makita.
- Nedotýkejte se převodovky. Provozem zahřátá převodovka je horká.
- Jestliže se od zařízení třeba jen na chvíli vzdálíte, vždy vypněte motor. Zařízení s běžícím motorem ponechané bez dozoru by mohly použít neoprávněné osoby a může dojít k vážné nehodě.

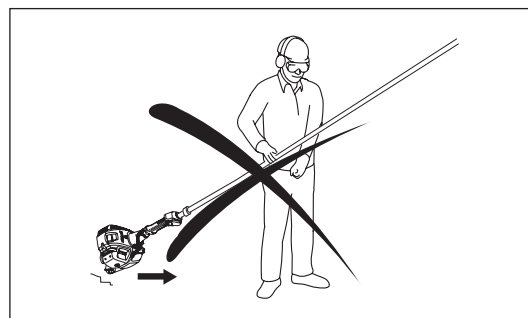




- Buďte ohleduplní vůči životnímu prostředí. Vyvarujte se zbytečného používání páčky plynu – omezíte tak úroveň znečištění i emise hluku. Proveďte správné seřízení karburátoru.
- Během práce a po jejím skončení nepokládejte rozehráté zařízení do suché trávy ani na hořlavé materiály.
- Pravou ruku nedržte nad úrovní ramen.
- Pilovým řetězem při práci nikdy nenarážejte na tvrdé překážky (kameny, hřebíky). Zvláště opatrní buďte při řezání větví u zdí, drátěných plotů atp.
- Při zachycení větví do pilového řetězu vždy vypněte motor a odpojte konektor zapalovací svíčky. Nechtěné spuštění by mohlo způsobit vážné zranění.
- Jestliže se pilový řetěz zanesse, vypněte vždy před čištěním motor a odpojte konektor zapalovací svíčky.
- Přidávání plynu se zaneseným pilovým řetězem zvýší zátěž a může dojít k poškození motoru či spojky.
- Před ořezáním větví si připravte únikovou cestu mimo dosah padajících větví. Nejprve odstraňte z pracoviště překážky, například odřezané větve. Z únikové cesty také přemístěte veškeré nářadí a další věci na jiné bezpečné místo.
- Před ořezáváním větví vyhodnoťte směr jejich pádu – vezměte přitom v úvahu stav dřeva, přilehlé stromy, směr větru atd. Maximální pozornost věnujte směru pádu a odrazu větve po dopadu na zem.
- Tyčovou pilu nikdy nedržte ve větším než 60° úhlu. V opačném případě mohou padající odřezky zasáhnout obsluhu a způsobit vážná zranění. Nikdy nestůjte pod odřezávanou větví.
- Dejte pozor na zlámané či ohnuté větve. Mohou se při řezání vymrštit a způsobit neočekávaná zranění.
- Před řezáním větví, jež máte v úmyslu odříznout, odstraňte větvičky a listy v okolí. Mohly by být pilou zachyceny.
- Nepouštějte páčku plynu předtím, než pilu vytáhnete z řezu – zamezíte tak jejímu uvíznutí v řezu.
- Jestliže se pilový řetěz zachytí v řezu, vypněte okamžitě motor a opatrným posunutím větve rozevřete řez a uvolněte pilu.
- Předcházejte zpětnému rázu (rotační síla reakce směrem k obsluze). V rámci zamezení zpětnému rázu nikdy neřežte koncem vodící lišty a neprovádějte vnořené řezy. Vždy sledujte polohu konce vodící lišty.
- Často kontrolujte napnutí řetězu. Při kontrole či seřizování napnutí řetězu vypněte motor a odpojte konektor zapalovací svíčky. Jestliže je řetěz volný, napněte jej.
- Zařízení používejte tak, abyste způsobili minimum hluku a znečištění. Zkontrolujte zejména správné nastavení karburátoru.
- Nikdy nestůjte na žebříku se spuštěným zařízením.
- Nikdy nešplhejte na stromy za účelem prořezávání.
- Před řezáním vyčkejte, až řetěz dosáhne plné pracovní rychlosti.
- Odpočívejte – zamezíte tak ztrátě kontroly vinou únavy. Doporučujeme 10–20 minutový odpočinek po každé hodině práce.

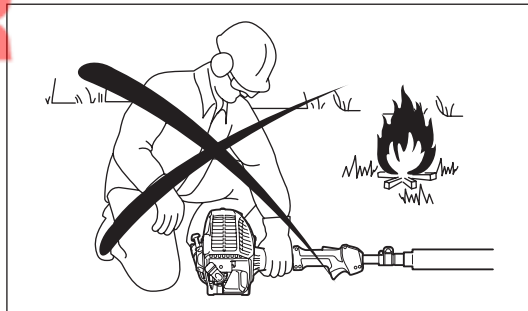
## Transport

- Před transportem zařízení vypněte motor a odpojte konektor zapalovací svíčky.
- Při transportu neopomeňte vždy nasadit kryt vodící lišty.
- Vždy použijte ochranné prvky přiložené k zařízení.
- Zařízení uložte vodorovně přidržením za hřidel. Nepřibližujte se k horkému tlumiči.
- Při transportu ve vozidle zařízení řádně zabezpečte, aby se nepřevracelo. Mohlo by dojít k úniku paliva a poškození zařízení nebo jiného nákladu.
- Při přenášení zařízení vypněte motor.
- Zajistěte kompletní vyprázdnění palivové nádrže.
- Při vykládání z auta zařízení nikdy nepouštějte motorem na zem, neboť by mohlo dojít k vážnému poškození palivové nádrže.
- Při přenášení neopomeňte zvedat ze země celé zařízení. Vlečení palivové nádrže po zemi je velmi nebezpečné – může způsobit poškození nádrže, únik paliva a vznik požáru.



## Pokyny k údržbě

- Servis zařízení svěťte našemu autorizovanému servisnímu středisku a vždy používejte pouze originální náhradní díly. Nesprávně provedené opravy či nedostatečná údržba mohou zkrátit životnost zařízení či zvýšit nebezpečí nehody.
- Před prováděním jakékoli údržby či oprav nebo před čištěním zařízení vždy vypněte motor a odpojte konektor zapalovací svíčky. Počkejte, až motor vychladne.
- Zamezte nebezpečí vzniku požáru – nikdy neprovádějte údržbu či skladování zařízení v blízkosti ohně.
- Při manipulaci s pilovým řetězem vždy používejte ochranné rukavice.
- Ze zařízení vždy odstraňujte prach a nečistoty. K čištění nikdy nepoužívejte benzín, benzen, ředidlo, alkohol ani podobné prostředky. Mohlo by dojít ke změnám barvy, deformacím či popraskání plastových dílů.
- Po každém použití dotáhněte všechny šrouby a matice s výjimkou seřizovacích šroubů.
- Pilový řetěz udržujte naostřený. Jestliže se pilový řetěz otupí a řezací výkon poklesne, požádejte autorizované středisko Makita o naostření či výměnu řetězu za nový.
- Nepokoušejte se provádět žádnou údržbu či opravy, jež nejsou popsány v tomto návodu k obsluze. Takové práce svěťte autorizovanému servisnímu středisku Makita.
- Zařízení pravidelně čistěte a kontrolujte, zda jsou dobře dotaženy všechny šrouby a matice.
- Zařízení vždy skladujte v uzamčených místnostech a s vyprázdněnou palivovou nádrží.



## Skladování

- Před skladováním zařízení důkladně vyčistěte a proveďte potřebnou údržbu. Nasaďte kryt vodicí lišty. Odpojte konektor zapalovací svíčky. Po vychladnutí motoru vypusťte palivo a řetězový olej.
- Zařízení skladujte na suchém, vyvýšeném a uzamykatelném místě mimo dosah dětí.
- Zařízení nikdy o nic neopírejte (např. o stěnu). Mohlo by spadnout a způsobit zranění.

Dodržujte náležité pokyny o bezpečnosti práce vydávané příslušnými obchodními sdruženími a pojišťovnami. Zařízení nijak neupravujte, ohrozili byste vlastní bezpečnost.

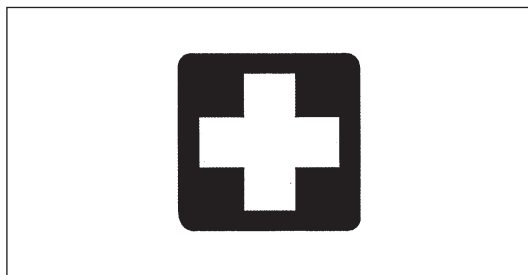
Provádění údržby či oprav uživatelem je omezeno na aktivity předepsané v návodu k obsluze. Všechny ostatní práce svěťte autorizovanému servisnímu středisku. Používejte pouze originální náhradní díly a nástavce zajištěné a dodané společností MAKITA. Použití neschválených nástavců a nástrojů představuje zvýšené nebezpečí úrazu. Společnost MAKITA nepřijímá žádnou odpovědnost za nehody či škody způsobené použitím neschválených nástavců, upevňovacích zařízení nástavců či příslušenství.

## První pomoc

Pro případ nehody zajistěte, aby byla v blízkosti vykonávaných prací k dispozici lékárnička. Použitý obsah lékárničky je nutno okamžitě nahradit.

### Při přivolávání pomoci poskytněte následující informace:

- Místo nehody
- Co se stalo
- Počet zraněných osob
- Druh zranění
- Uveďte své jméno



## Vibrace

- Osoby se slabším krevním oběhem vystavené přílišným vibracím mohou utrpět zranění cévního či nervového systému. Vibrace mohou na prstech, rukou či zápěstích vyvolat následující příznaky: „ochablost“ (necitlivost), mravenčení, bolest, bodavá bolest, změna barvy či stavu pokožky. Trpíte-li jakýmkoli z těchto příznaků, vyhledejte lékaře!
- K zamezení vzniku oběhových problémů (Reynaudovy choroby) udržujte ruce při práci v teple a zajistěte dobrou údržbu zařízení i příslušenství.



---

## ES PROHLÁŠENÍ O SHODĚ

**Společnost Makita Corporation jako odpovědný výrobce prohlašuje, že níže uvedené zařízení Makita:**

Popis zařízení: Motorová teleskopická tyčová pila

Č. modelu/typ: EY2650H

Technické údaje: viz tabulka „TECHNICKÁ DATA“

vychází ze sériové výroby

**a vyhovuje následujícím evropským směrnicím:**

2006/42/ES

a bylo vyrobeno v souladu s následujícími normami či normativními dokumenty:

EN/ISO11680

Technická dokumentace je k dispozici na adrese:

Makita International Europe Ltd., Technical Department,

Michigan Drive, Tongwell, Milton Keynes, Bucks MK15 8JD, England

Číslo certifikátu ES přezkoušení typu jako tyčové pily:

4813008.13001

ES přezkoušení typu dle 2006/42/ES provedla společnost:

DEKRA Testing and Certification GmbH Enderstraße 92b 01277 Dresden, Německo

identifikační č. 2140

31. 10. 2013

Tomoyasu Kato

Ředitel

Makita Corporation

3-11-8, Sumiyoshi-cho,

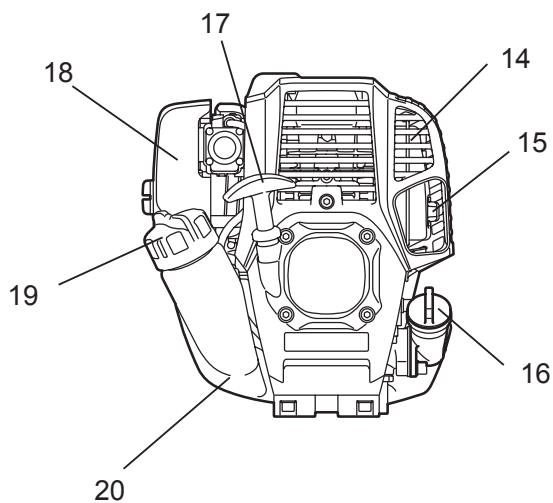
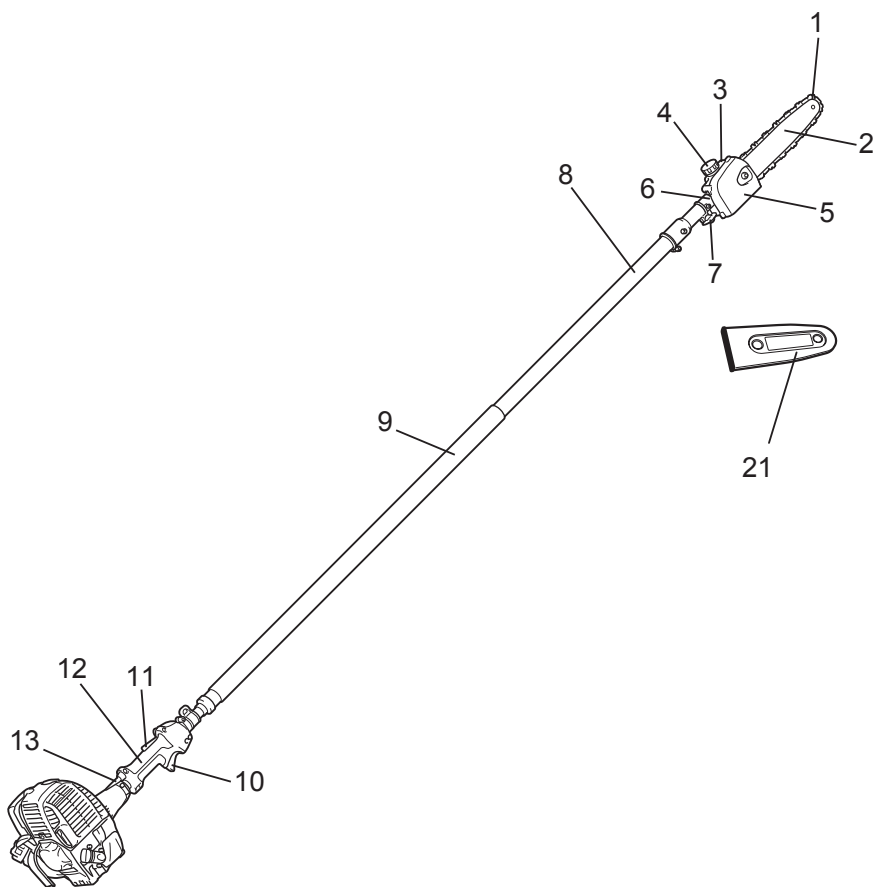
Anjo, Aichi, 446-8502, JAPAN

---

Model		EY2650H		
Rozměry: D × Š × V	mm	2 720–3 920 × 223 × 240		
Hmotnost	kg	7,2		
Objem palivové nádrže	cm <sup>3</sup>	600		
Objem nádrže na řetězový olej	cm <sup>3</sup>	120		
Zdvihový objem motoru	cm <sup>3</sup>	25,4		
Max. rychlost řetězu	m/s	21,0		
Maximální výkon motoru		0,77 kW při 7 000 min <sup>-1</sup>		
Otáčky motoru při doporučených max. otáčkách hřídele	min <sup>-1</sup>	10 000		
Volnoběžné otáčky	min <sup>-1</sup>	3 000		
Otáčky sepnutí spojky	min <sup>-1</sup>	4 400		
Karburátor		Membránový typ		
Zapalovací svíčka	Typ	NGK CMR4A		
Vzdálenost elektrod	mm	0,7 - 0,8		
Palivo		Automobilový benzin		
Motorový olej		Olej SAE 10W–30 třídy SF dle API či vyšší (automobilový olej pro čtyřdobé motory)		
Pracovní délka	mm	255		
Délka vodící lišty	mm (palce)	255 (10")		
Pilový řetěz		91VXL-39E		
Rozteč řetězu	palce	3/8"		
Řetězová měrka	mm (palce)	1,3 (0,05")		
Počet zubů řetězového kola		7		
Řetězový olej		Originální řetězový olej Makita		
Čerpadlo řetězového oleje		Pístové čerpadlo (samomazný typ)		
Vibrace dle ISO 22867	Pravé držadlo (zadní držadlo)	$a_{hv\ eq}$ (hřídel v nejkratší poloze)	m/s <sup>2</sup>	5,3
		$a_{hv\ eq}$ (hřídel v nejdelší poloze)	m/s <sup>2</sup>	6,1
		Nejistota K	m/s <sup>2</sup>	2,0
	Levé držadlo (přední držadlo)	$a_{hv\ eq}$ (hřídel v nejkratší poloze)	m/s <sup>2</sup>	7,2
		$a_{hv\ eq}$ (hřídel v nejdelší poloze)	m/s <sup>2</sup>	8,6
		Nejistota K	m/s <sup>2</sup>	2,0
Průměrná hladina akustického tlaku dle ISO 22868	$L_{PA\ eq}$	dB (A)	89,5	
	Nejistota K	dB (A)	2,5	
Průměrná hladina akustického výkonu dle ISO 22868	$L_{WA\ eq}$	dB (A)	107,3	
	Nejistota K	dB (A)	2,5	

- Díky našemu trvalému programu výzkumu a vývoje mohou být zde uvedené specifikace změněny i bez předchozího upozornění.
- Specifikace se mohou v různých zemích lišit.

EY2650H



CZ	POPIS DÍLŮ
1	Pilový řetěz
2	Vodící lišta
3	Olejová nádrž
4	Víčko olejové nádrže
5	Držák lišty
6	Pouzdro převodovky
7	Knoflík
8	Teleskopická hřídel
9	Přední rukojeť
10	Páčka plynu
11	Odjišťovací páčka
12	Zadní držadlo
13	Ovládací lanko
14	Tlumič výfuku
15	Výfuk
16	Víčko olejové nádrže
17	Startovací madlo
18	Vzduchový filtr
19	Víčko palivové nádrže
20	Palivová nádrž
21	Kryt vodící lišty

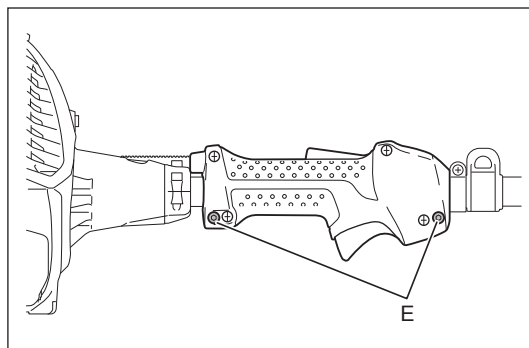
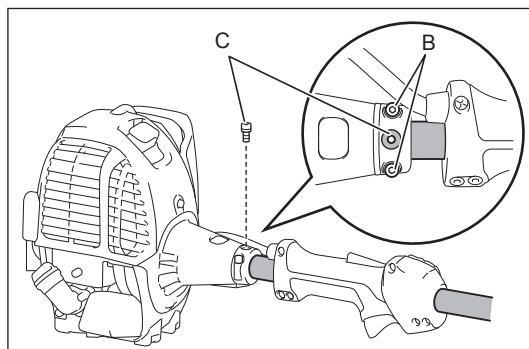
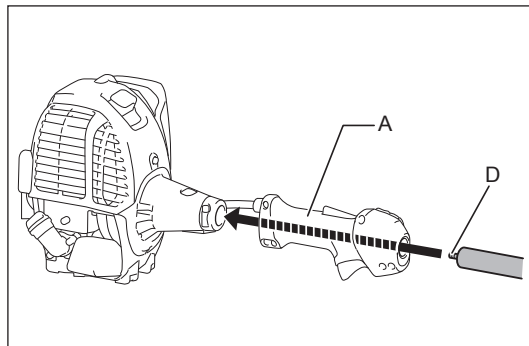
## VAROVÁNÍ:

- Před sestavováním, seřizováním či kontrolou vypněte motor a odpojte konektor zapalovací svíčky.
- Při manipulaci s pilovým řetězem vždy používejte ochranné rukavice.
- Před sestavováním, seřizováním či kontrolou počkejte, až řetěz vychladne. Řetěz se může při provozu silně zahřát a mohl by způsobit popáleniny.

## Sestavení hřídele a pouzdra spojky

Následujícím způsobem sestavte hřídel se zadním držadlem a jednotkou motoru:

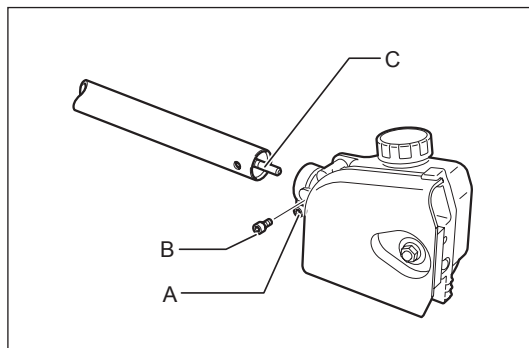
1. Hřídel prostrčte zadním držadlem (A).
2. Povolte dva upevňovací šrouby (B) a z pouzdra spojky vyjměte středový šroub (C).
3. Hřídel zasuňte do pouzdra spojky. Jestliže je úplné zasunutí obtížné, pootočte mírně výstupkem (D).
4. Vyrovnajte otvor v hřídeli s otvorem středového šroubu.
5. Dotáhněte středový šroub.
6. Rovnoměrně dotáhněte dva upevňovací šrouby.
7. Vyrovnajte polohu zadního držadla a dotáhněte jej dvěma šrouby (E).



## Sestavení hřídele a pouzdra převodovky

Následujícím postupem smontujte hřídel s pouzdem převodovky:

1. Povolte šroub (A). Potom vyjměte šroub (B).
2. Hřídel zasuňte do pouzdra převodovky. Jestliže je úplné zasunutí obtížné, pootočte mírně výstupkem (C).
3. Vyrovnajte otvor v hřídeli s otvorem šroubu (B).
4. Nejprve přitáhněte šroub (B) a pak dotáhněte šroub (A).

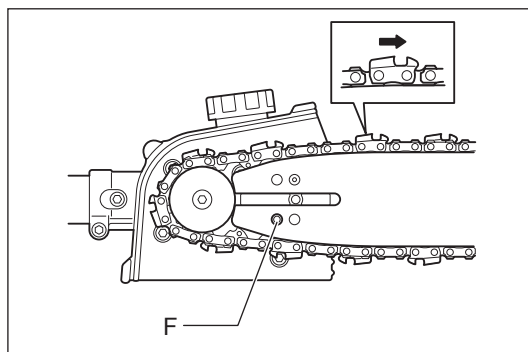
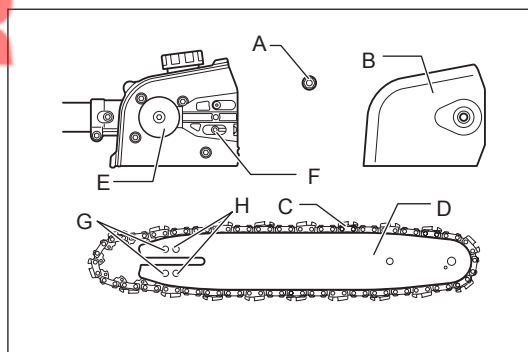


## Montáž pilového řetězu a vodící lišty

**UPOZORNĚNÍ:** Ujistěte se, zda se pilový řetěz, vodící lišta a řetězové kolo shodují v rozteči a šířce.

Pilový řetěz a vodící lištu namontujte podle následujících kroků.

1. Povolte matici (A) a sejměte držák lišty (B).
2. Pilový řetěz (C) nasadte do drážky vodící lišty (D). Začněte na konci lišty.
3. Pilový řetěz (C) nasadte na řetězové kolo (E).
4. Vodící lištu (D) nasadte tak, aby napínací matice (F) dosedla do otvoru (G) ve vodící liště. Otvory (H) se nevyužívají.
5. Nasadte držák lišty (B) a pevně dotáhněte matici (A). Potom matici o půl otáčky povolte s ohledem na seřízení napnutí řetězu.
6. Seřídte napnutí řetězu. Viz část „Seřízení napnutí řetězu“.



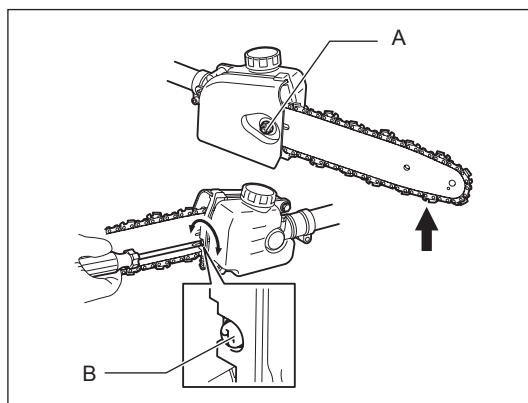
## Seřízení napnutí řetězu

**UPOZORNĚNÍ:**

- Udržujte vhodné napnutí řetězu. Uvolněný pilový řetěz může během provozu spadnout. Přílišné napnutí zase může způsobit poškození pilového řetězu nebo vodící lišty.
- Během provozu často kontrolujte napnutí řetězu. Pilový řetěz se při provozu protahuje a uvolňuje. Při použití nového pilového řetězu provádějte seřizování napnutí častěji.

Seřízení napnutí řetězu provedete podle následujících kroků.

1. Povolte matici (A) o půl otáčky.
2. Konec lišty přidržíte nahoře. Otáčejte napínacím šroubem (B) směrem vpravo, až pilový řetěz těsně dosedne do spodní drážky vodící lišty.
3. Uchopte pilový řetěz uprostřed vodící lišty a nadzvedněte jej. Mezera mezi vodící lištou a nadzvednutým pilovým řetězem má být přibližně 3–4 mm. Jestliže tomu tak není, otočte mírně napínacím šroubem směrem vlevo a znovu proveďte krok 2.
4. Pevně dotáhněte matici (A).
5. V případě nutnosti napínací šroub mírně dotáhněte, aby nevypadnul.



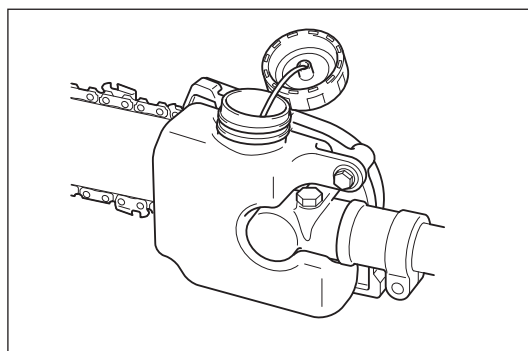
## Plnění nádrže řetězového oleje

Pilový řetěz musí být během provozu promazáván řetězovým olejem. Před zahájením provozu naplňte nádrž řetězového oleje. Po doplnění oleje pevně dotáhněte víčko olejové nádrže. Používejte pouze originální řetězový olej Makita.

**UPOZORNĚNÍ:**

- Nikdy nepoužívejte vyjetý olej. Mohlo by dojít k poškození olejového čerpadla.
- Při doplňování řetězového oleje nepracujte v prašném prostředí. Prach a jiné cizorodé materiály mohou poškodit systém přívodu oleje.

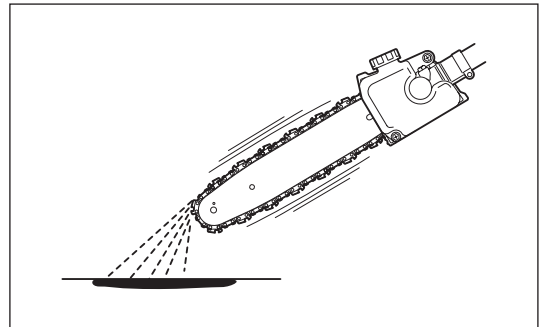
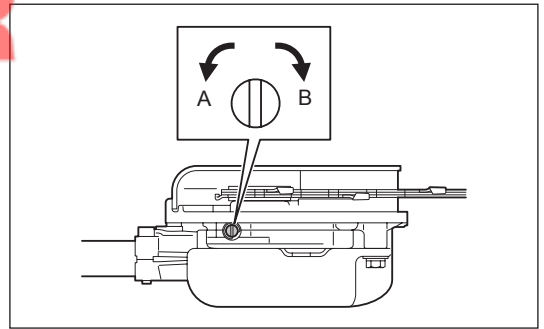
Při provozu vždy věnujte pozornost hladině oleje. Při poklesu hladiny oleje nádrž doplňte. Nádrž se vyprázdní zhruba po 40 minutách provozu (záleží na nastavení mazání řetězu).





## Seřízení dávkování řetězového oleje

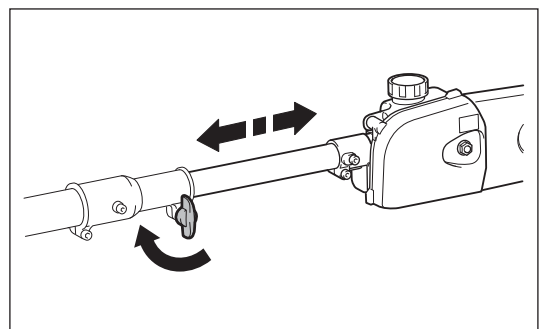
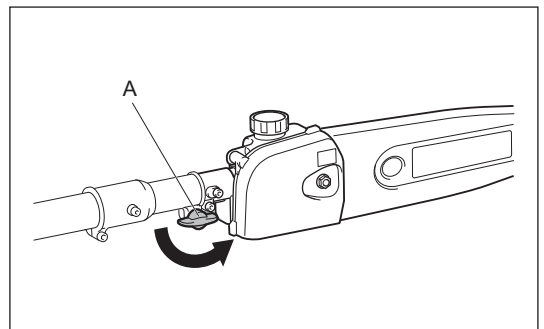
Dávkování řetězového oleje lze nastavit na tři hodnoty. Dávkování můžete upravit v závislosti na provozu, například při řezání tvrdých větví. Dávkování řetězového oleje nastavíte plochým šroubovákem. Na seřizovací šroub zatlačte a otočte jím. Dávkování zvýšíte otáčením seřizovacího šroubu vlevo (**A**). Snížení dávkování provedete otáčením vpravo (**B**). Po seřízení dávkování řetězového oleje dávkování zkontrolujte uvedením zařízení do středně vysokých otáček.



## Seřízení délky tyčové pily

Délku tyčové pily seřizujte následujícím způsobem:

1. Knoflíkem (**A**) otočte vlevo.
2. Seřídte délku tyče.
3. Otočením knoflíku vpravo upevněte hlavu převodovky.



## Ramenní popruh

### Nastavení ramenního popruhu

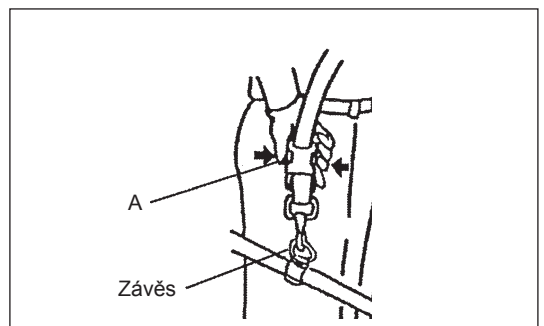
Popruh upravte na vhodnou délku podle prováděné práce.

### Odpojení

V případě nouze stiskněte západky (**A**) po obou stranách a zařízení odpojte. Počítejte si velmi opatrně, abyste v tuto chvíli nad zařízením neztratili kontrolu. Nedovoďte, aby se zařízení odrazilo směrem k vám či jakékoli osobě ve vaší blízkosti.

**VAROVÁNÍ:** Ztráta plné kontroly nad zařízením může vést až k vážným zraněním či SMRTI.

Poznámka: V některých zemích ramenní popruh nemá tuto odpojovací funkci.



**Kontrola a doplnění motorového oleje**

- Následující postup provádějte u vychladlého motoru.
- Uložte motor do vodorovné polohy, sejměte víčko olejové nádrže (obr. 1) a zkontrolujte, zda hladina oleje sahá do úrovně mezi značkami horní a dolní meze v plnicím hrdle (obr. 2).
- Jestliže olej chybí (hladina oleje je v blízkosti značky dolní meze), doplňte jej až ke značce horní meze (obr. 3).
- Oblast kolem vnějších značek je průhledná, takže množství oleje v nádrži lze zkontrolovat i bez snímání víčka olejové nádrže. Jestliže se však plnicí hrdlo zvenku silně znečistí, viditelnost nemusí být zřejmá a hladinu oleje bude nutné zkontrolovat podle stupňovité části v plnicím hrdle.
- Orientační interval doplňování oleje je zhruba 10 h (po 10 doplněních paliva).  
Změní-li olej barvu nebo jestliže se smísí s nečistotami, vyměňte jej za nový. (Interval a způsob výměny: viz str. 194)

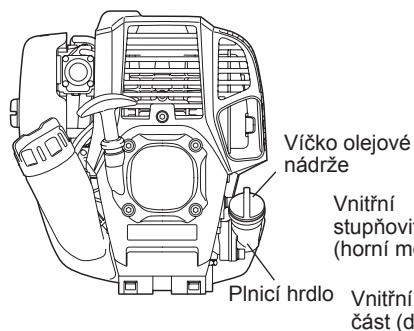
**Doporučený olej:** SAE 10W-30 dle klasifikace API, třída SF či vyšší (automobilový olej pro čtyřdobé motory)

**Objem oleje:** Přibl. 0,08 l

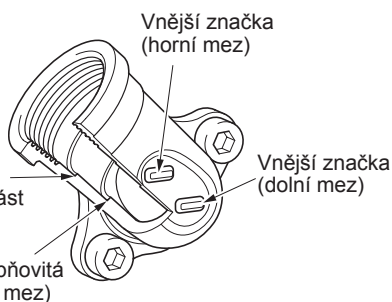
Poznámka: Jestliže motor nebude uložen svise, může olej stéci do motoru a náplň může být nadměrná.  
Při nadměrném doplnění oleje může dojít k jeho znečištění nebo se olej začne spalovat (vychází bílý kouř).

**Bod č. 1 při výměně oleje: „Víčko olejové nádrže“**

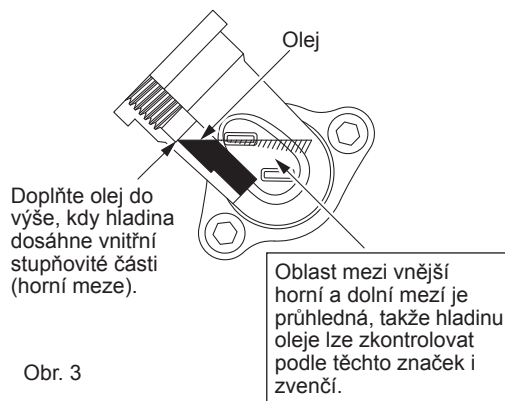
- Z okolí plnicího otvoru odstraňte prach a nečistoty a sejměte víčko olejové nádrže.
- Víčko olejové nádrže chraňte před kontaktem s pískem a prachem. Jestliže na víčku olejové nádrže ulpí písek či prach, může dojít k nepravidelné cirkulaci oleje či opotřebením dílů motoru s následnými závadami.



Obr. 1

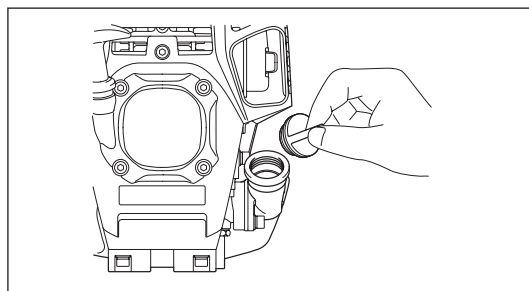


Obr. 2 Plnicí hrdlo

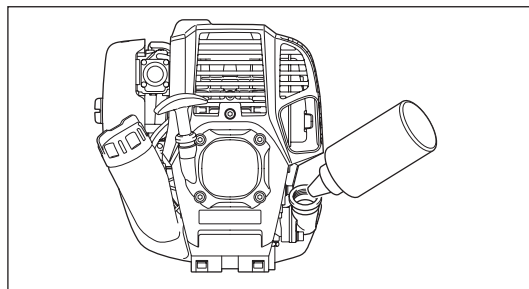


Obr. 3

(1) Přidržte motor ve vodorovné poloze a sejměte víčko olejové nádrže.



(2) Doplňte olej až po značku horní meze (viz obr. 3).  
Při plnění použijte olejničku.



(3) Pevně dotáhněte víčko olejové nádrže. Nedostatečné dotažení může způsobit únik oleje.

- Nevyměňujte olej s motorem v nakloněné poloze.
- Při plnění nakloněného motoru olejem dojde k přeplnění a znečištění oleje nebo se objeví výstup bílého kouře z výfuku.

#### Bod č. 2 při výměně oleje: „Jestliže olej vyteče“

- Pokud olej vyteče mezi palivovou nádrž a hlavní jednotku motoru, nasaje se do vstupního otvoru chladicího vzduchu a dojde ke znečištění motoru. Před zahájením práce nezapomeňte rozlitý olej utřít.

## DOPLŇOVÁNÍ PALIVA

### Manipulace s palivem

S palivem je nutné zacházet s maximální opatrností. Palivo může obsahovat látky podobné rozpouštědlům. Palivo je nutné doplňovat v dostatečně ventilované místnosti nebo venku. Výpary paliva nikdy nevděchujte a palivo ukládejte stranou. Opakovaný nebo delší kontakt s palivem vysušuje pokožku a může způsobit kožní onemocnění nebo alergie. Jestliže palivo vnikne do očí, vypláchněte je čistou vodou. Zůstanou-li oči podrážděné, obraťte se na lékaře.

Palivo nedoplňujte za soumraku a na nestabilních plochách.

### Skladovatelnost paliva

Palivo je třeba spotřebovat do 4 týdnů, a to i v případě jeho skladování ve speciální nádobě v dobře větraném stinném prostoru. Jestliže nepoužijete speciální nádobu nebo není-li nádoba přikrytá, může se palivo znehodnotit i během jednoho dne.

### SKLADOVÁNÍ ZAŘÍZENÍ A DOPLŇOVACÍ NÁDOBA

- Zařízení i doplňovací nádobu uchovávejte na chladném místě mimo dosah přímého slunečního záření.
- Benzín nikdy neuchovávejte v kabině nebo v kufru auta.

## Palivo

Tento motor je čtyřtákní jednotkou. Ujistěte se, zda používáte automobilový benzín (obvyklý benzín nebo speciál).

### Poznámky k palivu

- Nikdy nepoužívejte směs benzínu s motorovým olejem. V opačném případě dojde k nadměrnému usazování karbonu či mechanickým závadám.
- Používání opotřebeného oleje způsobí nesprávné startování.

## Doplňování paliva

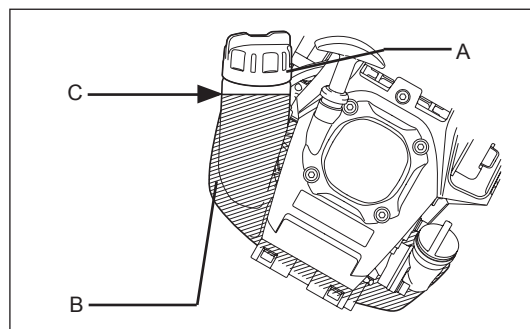
### VAROVÁNÍ: PŘÍSNÝ ZÁKAZ POUŽÍVÁNÍ HOŘLAVIN

**UPOZORNĚNÍ:** Po doplnění paliva nezapomeňte zavřít víčko palivové nádrže. Nikdy nespustíte motor s otevřeným víčkem palivové nádrže.

**Použitý benzín:** Automobilový benzín (bezolovnatý)

1. Víčko palivové nádrže (**A**) povolujte opatrně, aby nedošlo k vylití paliva.
2. Sejměte víčko palivové nádrže. Motor nakloňte, aby nalévací otvor směřoval nahoru.
3. Opatrně dolijte palivo a z palivové nádrže nechte unikat vzduch (**B**). (Nedoplňujte nad horní mez (**C**)).
4. Okolí víčka palivové nádrže řádně otřete, abyste zamezili vniknutí nečistot do palivové nádrže.
5. Po doplnění paliva víčko nádrže pevně dotáhněte.

- Zjistíte-li na víčku nádrže nějaké vady či poškození, vyměňte jej.
- Víčko nádrže se časem opotřebí. Jednou za dva až tři roky jej vyměňte.



## UPOZORNĚNÍ:

Dodržujte příslušné předpisy bezpečnosti práce!

## UPOZORNĚNÍ:

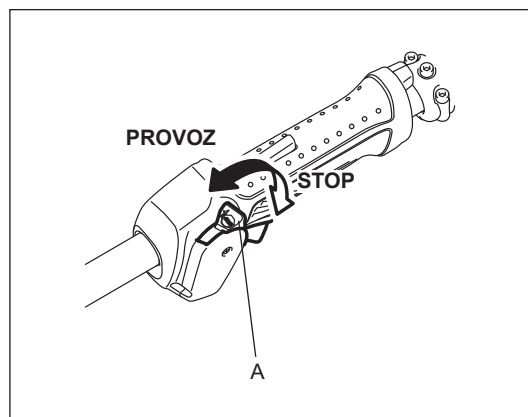
Před startováním motoru sejměte kryt vodicí lišty.

## STARTOVÁNÍ

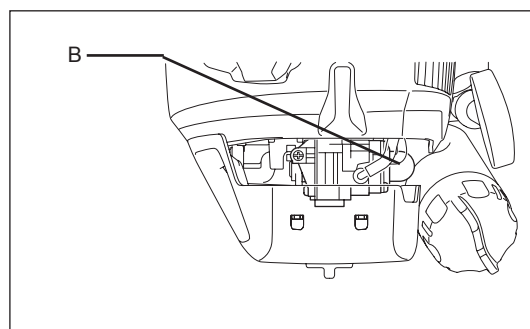
Přesuňte se alespoň 3 m od místa doplňování paliva. Zařízení umístěte na čistou část terénu a dejte pozor, aby se nástavec nedostal do kontaktu s terénem ani s žádným jiným předmětem.

### A: Studený start

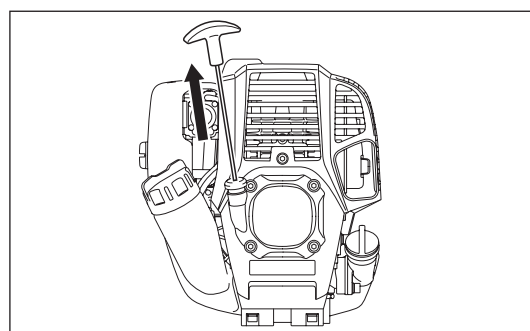
- 1) Položte zařízení na rovnou plochu.
- 2) Přepínač I-O (**A**) nastavte na PROVOZ.



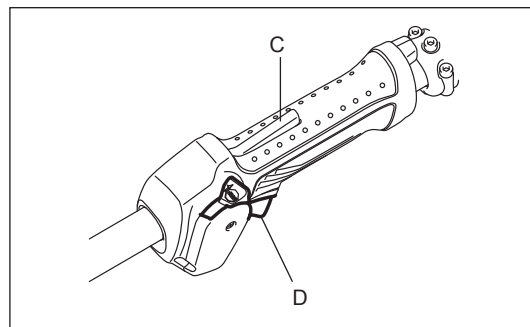
- 3) Nastříkovač  
Opakovaným stlačováním nastříkovače (**B**) do něj dopravte palivo. (Obvykle se palivo do nastříkovače dostane po 7 až 10 stisknutích.)  
Při přílišném stlačování nastříkovače se přebytek benzínu vrátí do palivové nádrže.



- 4) Lankový startér  
Zatáhněte mírně za startovací madlo, až ucítíte odpor (bod komprese).  
Potom startovací madlo vraťte zpět a silně zatáhněte.  
Lanko nikdy nevytahujte zcela. Po zatažení nikdy nepouštějte madlo ihned z ruky. Startovací madlo přidržte, až se vrátí do původní polohy.



- 5) Držadlo je opatřeno odjišťovací páčkou (**C**) zamezující nechtěnému spuštění. Jestliže chcete stisknout páčku plynu (**D**), uvolněte pojistku uchopením držadla (odjišťovací tlačítko stisknete tlakem dlaně).



- 6) Zahřátí motoru  
Nechte motor 2 až 3 minuty zahřát.

Poznámka: V případě přesycení palivem vyjměte zapalovací svíčku a pomalým taháním za rukojeť startéru odstraňte přebytek paliva. Osušte také elektrody zapalovací svíčky.

## Upozornění k provozu:

Při plném plynu za provozu bez zátěže se otáčky motoru zvýší na  $10\,000\text{ min}^{-1}$  či více. Nikdy nepracujte s motorem ve vyšších než požadovaných otáčkách s hodnotou přibližně  $6\,000\text{--}8\,500\text{ min}^{-1}$ .



## B: Startování po zahřátí

- 1) Opakovaně stlačte nastříkovač.
- 2) Páčku plynu ponechte v poloze volnoběhu.
- 3) Silně zatáhněte za lankový startér.
- 4) Nelze-li motor snadno nastartovat, přidejte plyn asi na 1/3.  
Dejte pozor na nástavec, který se může otáčet.

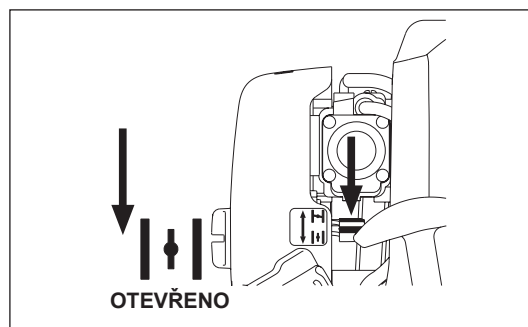
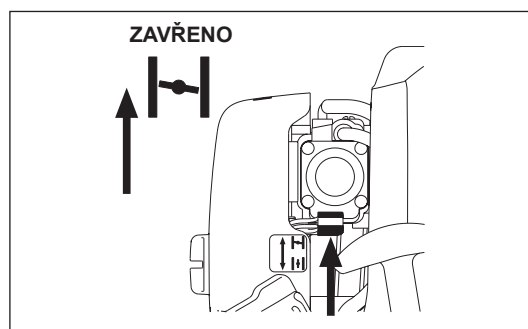
## Situace (například v zimě), kdy je startování motoru obtížné

Při startování motoru pracujte s páčkou sytiče následujícím způsobem.

- Po provedení kroků startování 1) až 3) nastavte páčku sytiče do polohy ZAVŘENO.
- Proveďte krok 4) a nastartujte motor.
- Jakmile se motor spustí, nastavte páčku sytiče do polohy OTEVŘENO.
- Proveďte krok 5) a zahřejte motor.

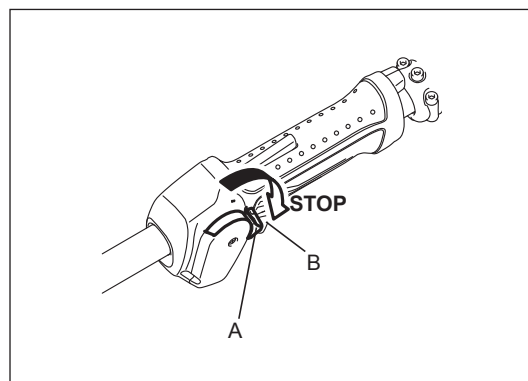
UPOZORNĚNÍ: Jestliže se ozve rána (zvuk třesnutí) a motor se zastaví nebo pokud se právě nastartovaný motor zastaví ještě před pohybem páčky sytiče, vraťte páčku sytiče do polohy OTEVŘENO a několikrát zatažením za startovací madlo nastartujte motor.

UPOZORNĚNÍ: Zůstane-li páčka sytiče ponechána v poloze ZAVŘENO potáhnete přitom několikrát za startovací madlo, nasaje se přílišné množství paliva a startování motoru bude obtížné.



## VYPNUTÍ MOTORU

- 1) Zcela uvolněte páčku plynu (B) a po snížení otáček motoru nastavte přepínač I-O (A) do polohy STOP. Motor se zastaví.
- 2) Dávejte pozor – nástavec se nemusí okamžitě zastavit – nechte jej zcela zpomalit.

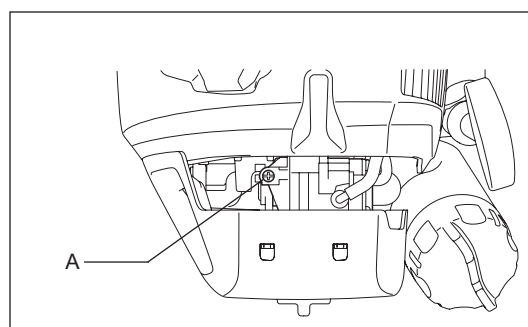


## SEŘÍZENÍ NÍZKÝCH OTÁČEK (VOLNOBĚH)

V případě nutnosti seříďte seřizovacím šroubem karburátoru (A) nízké otáčky (volnoběh).

## KONTROLA NÍZKÝCH OTÁČEK

- Nízké otáčky nastavte na  $3\,000\text{ min}^{-1}$ .  
V případě nutnosti změny otáček proveďte regulaci seřizovacím šroubem a křížovým šroubovákem.
- Otáčením seřizovacího šroubu vpravo otáčky motoru zvýšíte. Otáčením seřizovacího šroubu vlevo otáčky motoru snížíte.
- Karburátor je obvykle seřízen před uvedením do prodeje. Bude-li nutné opakované seřízení, obraťte se na autorizované servisní středisko.

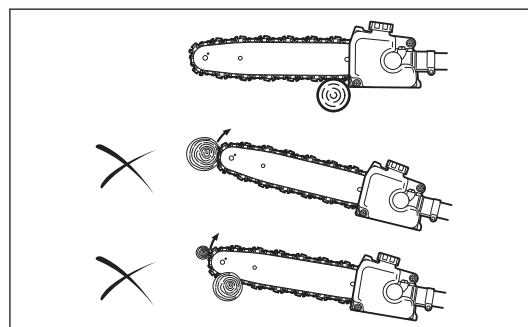
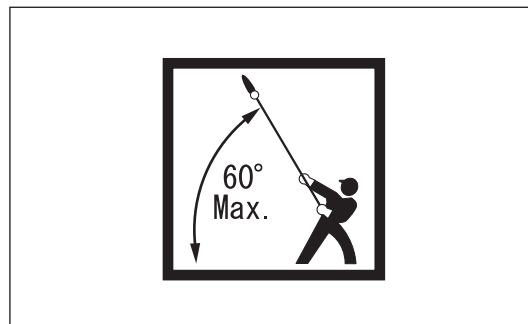


### Správný postoj

- Postavte se na stabilní plochu. Zajistěte, aby byla tyčová pila v 60° úhlu vůči vodorovnému terénu.
- Nejprve ořezávejte dolní větve, aby další padaly snáze.
- Vždy si zachovejte únikovou cestu pro případ, že by větev padala směrem k vám.

### Postup

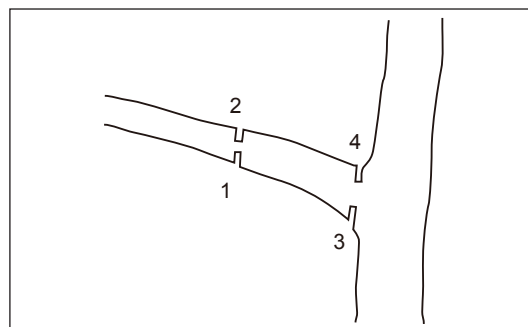
- Nastartujte motor, a stisknutím páčky plynu uveďte pilový řetěz do plných otáček.
- Pilový řetěz zlehka tlačte do větve. Se zařízením nepracujte násilně, jinak by se mohlo poškodit.
- Nikdy neřežte špičkou lišty. Jinak by mohlo dojít k nebezpečnému zpětnému rázu s následným zraněním.



### Tipy pro řezání silných větví

Při řezání silných větví použijte následující metodu.

1. Proveďte malý zářez na spodní straně větve v nevelké vzdálenosti od zamýšleného řezu.
2. Nařízněte větev z horní strany prvního zářezu.
3. Proveďte další malý zářez na spodní straně větve v místě zamýšleného řezu.
4. Větev uřízněte shora v zamýšleném místě.



## SERVISNÍ POKYNY

**UPOZORNĚNÍ:** Před prováděním jakýchkoli prací na zařízení vždy vypněte motor a odpojte konektor zapalovací svíčky (viz „Kontrola zapalovací svíčky“).  
Vždy noste ochranné rukavice!  
Při kontrole a provádění údržby zařízení vždy položte. Montáž nebo seřizování zařízení ve svislé poloze mohou vést k vážnému zranění.  
Při provádění údržby vždy nasadte kryt vodicí lišty.

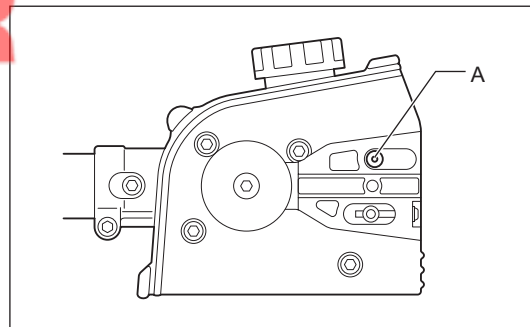
K zajištění dlouhé životnosti a zamezení poškození zařízení pravidelně provádějte následující údržbu.

### Každodenní kontrola a údržba

- Před zahájením provozu zkontrolujte, zda nemá zařízení povolené šrouby a zda nechybí žádné části. Zvláštní pozornost věnujte nastavci a zkontrolujte, zda je pevně uchycen na místě.
- Před zahájením provozu vždy zkontrolujte, zda nejsou ucpané chladicí vzduchové kanály a žebra válce. V případě nutnosti tato místa vyčistěte.
- Následující práce provádějte denně po skončení práce:
  - Očistěte vnější části zařízení a zkontrolujte, zda nedošlo k poškození.
  - Vyčistěte vzduchový filtr. Při práci v mimořádně prašném prostředí vyčistěte filtr i několikrát za den.
  - Zkontrolujte, zda je mezi volnoběžnými otáčkami a otáčkami sepnutí spojky dostatečný rozdíl, aby bylo zajištěno, že se ve volnoběžných otáčkách motoru nebude nástavec pohybovat (v případě nutnosti volnoběžné otáčky omezte). Jestliže nástroj za volnoběhu stále poběží, obraťte se na nejbližšího zástupce autorizovaného servisu.
- Zkontrolujte funkci přepínače I-O, odjišťovací páčky a ovládací páčky.

## Čištění otvoru přívodu řetězového oleje

Otvor přívodu řetězového oleje (A) čistěte každý den. Přístup k otvoru získáte po sejmutí držáku lišty a vodící lišty.

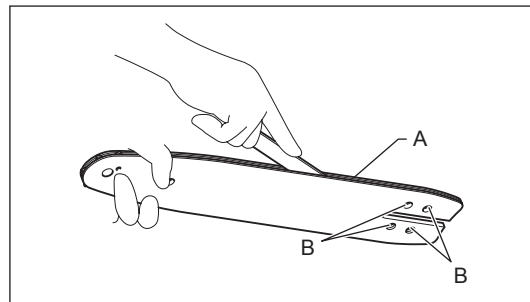


## Čištění a kontrola vodící lišty

Vodící lištu čistěte každý den. Odstraňte piliny z drážky (A) a z otvoru přívodu řetězového oleje (B).

V rámci zamezení jednostranného opotřebení vodící lišty při každé výměně či ostření pilového řetězu otočte.

Jestliže je drážka vodící lišty opotřebená, zprohýbaná, popraskaná nebo zdeformovaná, proveďte výměnu.



## Kontrola pilového řetězu

Pokud zjistíte, že je pilový řetěz opotřebený, zdeformovaný, popraskaný nebo jestliže musíte při řezání vynakládat více síly, požádejte servisní středisko Makita o naostření.

## Mazání pohyblivých dílů

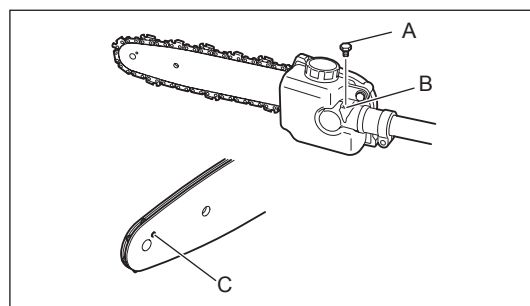
**UPOZORNĚNÍ:** Při četnosti mazání a množství maziva postupujte podle pokynů. Nedostatečné mazání může způsobit poškození pohyblivých dílů.

Převodovka:

Po každých 25 hodinách vyjměte mazací zátku (A) a otvorem (B) doplňte lithiové mazivo.

Konec vodící lišty:

Promazávejte po každých 10 hodinách provozu (Shell Alvania č. 2 nebo ekvivalent) mazacím otvorem (C).



## VÝMĚNA MOTOROVÉHO OLEJE

Opotřebený motorový olej značnou měrou zkracuje životnost kluzných a otáčivých dílů. Nezapomínejte kontrolovat dobu a počet výměn.



**POZOR:** Hlavní jednotka motoru a motorový olej jsou po vypnutí motoru horké. Při výměně oleje zkontrolujte, zda jsou hlavní jednotka motoru a motorový olej dostatečně vychladlé. V opačném případě se vystavíte nebezpečí opaření.

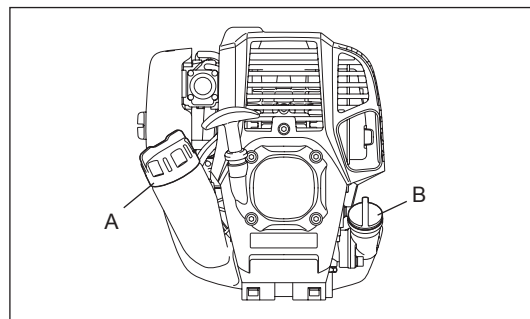
**Poznámka:** Při nadměrném doplnění oleje může dojít k jeho znečištění nebo se olej začne spalovat (vychází bílý kouř).

**Interval výměny:** Zpočátku každých 20 hodin provozu a následně po každých 50 hodinách provozu

**Doporučený olej:** SAE10W-30 dle klasifikace API, třída SF či vyšší (automobilový olej pro čtyřdobé motory)

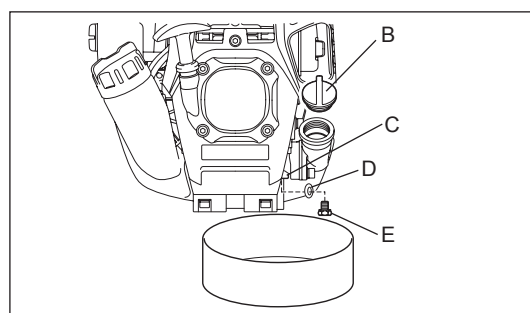
Při výměně oleje postupujte následovně.

- 1) Ujistěte se, zda je víčko palivové nádrže (A) pevně dotaženo.
- 2) Pod vypouštěcí otvor (C) umístěte velkou nádobu (mísu atp.).



- 3) Vyšroubujte vypouštěcí šroub (E), sejměte víčko olejové nádrže (B) a vypouštěcím otvorem vypusťte olej. Dávejte přitom pozor, abyste neztratili těsnění vypouštěcího šroubu (D) a aby se neznečistily žádné vyjmuté díly.

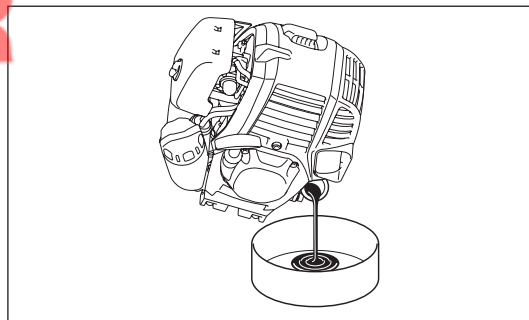
- 4) Po vypuštění oleje nasadte na vypouštěcí šroub těsnění a pevně jej dotáhněte, aby se nepovolil a nedošlo k úniku oleje.  
\* Kusem tkaniny řádně setřete veškerý olej ulpělý na šroubu a zařízení.



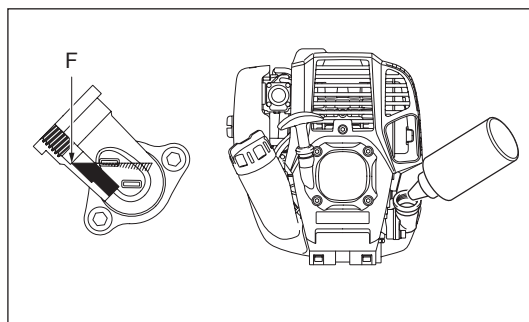
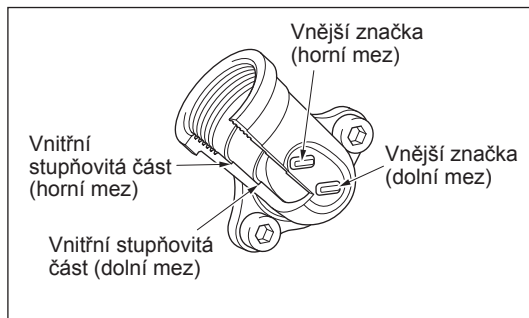


### Alternativní metoda vypuštění oleje

Sejměte víčko olejové nádrže, nakloňte zařízení směrem k otvoru olejového filtru a vypusťte olej.  
Olej shromážděte do nádoby.



- 5) Ustavte motor do vodorovné polohy a postupně jej naplňte novým olejem až po značku horní meze (F).
- 6) Po naplnění pevně dotáhněte víčko olejové nádrže, aby se nepovolilo a nezpůsobilo netěsnosti.  
Nedostatečně dotažené víčko olejové nádrže může způsobit únik oleje.



### INFORMACE K OLEJI

- Starý olej nikdy nevyhazujte do domácího odpadu, nevylévejte jej na zem ani do kanalizace. Likvidace oleje se řídí zákonem. Při likvidaci vždy dodržujte příslušné zákony a směrnice. V případě jakýchkoli pochybností se obraťte na zástupce autorizovaného servisu.
- Olej ztrácí kvalitu i přesto, že není používán. Prohlídku a výměnu oleje provádějte pravidelně (olej vyměňujte za nový každých 6 měsíců).

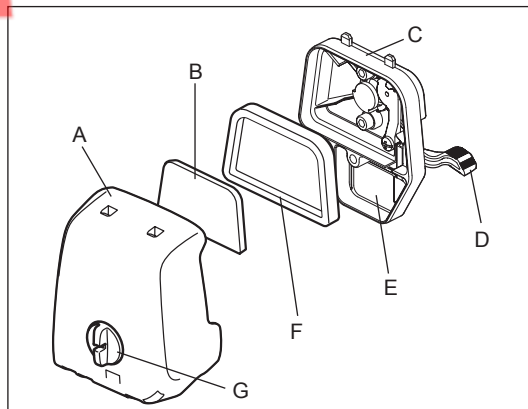
## ČIŠTĚNÍ VZDUCHOVÉHO FILTRU



**NEBEZPEČÍ: PŘÍSNÝ ZÁKAZ POUŽÍVÁNÍ HOŘLAVIN**

**Interval čištění a kontroly: denně (po každých 10 hodinách provozu)**

- Páčku sytiče (**D**) přesuňte ke straně plně zavřeného stavu a karburátor chraňte před prachem a nečistotami.
- Povolte upevňovací šroub (**G**).
- Zatažením za dolní část sejměte kryt vzduchového filtru (**A**).
- Vyjměte filtrační prvky (**B**) (**F**) a vyklepejte z nich nečistoty.
- Pokud jsou filtrační prvky silně znečištěné:  
Vyjměte filtrační prvky, ponořte je do teplé vody nebo do vody s rozpuštěným neutrálním čisticím prostředkem a pak je důkladně vysušte. Při praní filtrační prvky nemačkejte ani nemněte.
- Před nasazením filtračních prvků zpět se ujistěte, zda jsou zcela suché. Nedostatečné vysušení může vést k obtížím při startování.
- Kusem tkaniny setřete olej kolem krytu vzduchového filtru a průduchového dílu (**E**).
- Filtrační prvek (pěnovku) (**B**) vložte do filtračního prvku (z plsti) (**F**). Oba prvky vložte do desky (**C**) s pěnovkou obrácenou směrem ke krytu vzduchového filtru.
- Bezprostředně poté nasadte kryt vzduchového filtru a dotáhněte jej upevňovacími šrouby. (Při montáži nasadte nejprve horní západku a pak teprve dolní.)



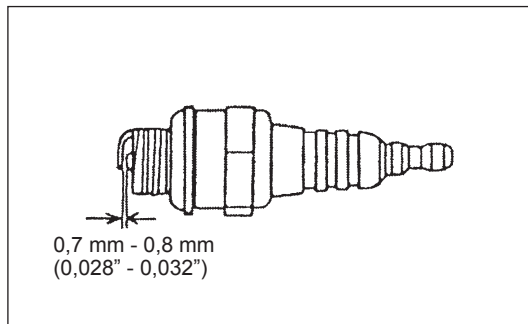
### UPOZORNĚNÍ:

- Při značném zanesení prachem čistěte filtrační prvky několikrát denně. Znečištěné filtrační prvky snižují výkon motoru a způsobují potíže při startování motoru.
- Z filtračních prvků odstraňte olej. Budete-li pokračovat v provozu s filtračními prvky nevyčištěnými od oleje, může se olej ze vzduchového filtru uvolnit a způsobit znečištění životního prostředí.
- Filtrační prvky nepokládejte na zem a znečištěná místa. Mohly by na nich ulpět nečistoty nebo prach a může dojít k poškození motoru.
- K čištění filtračních prvků nikdy nepoužívejte palivo. Palivo může filtrační prvky poškodit.

### KONTROLA ZAPALOVACÍ SVÍČKY

- K demontáži i montáži zapalovací svíčky použijte pouze dodaný univerzální klíč.
- Vzdálenost elektrod zapalovací svíčky musí být 0,7–0,8 mm. Jestliže je vzdálenost příliš velká nebo příliš malá, upravte ji. Jestliže je zapalovací svíčka ucpaná nebo znečištěná, důkladně ji vyčistěte nebo vyměňte.

**UPOZORNĚNÍ:** Nikdy se nedotýkejte konektoru zapalovací svíčky, jestliže motor běží (nebezpečí úrazu vysokým elektrickým napětím).



## ČIŠTĚNÍ PALIVOVÉHO FILTRU

### VAROVÁNÍ: PŘÍSNÝ ZÁKAZ POUŽÍVÁNÍ HOŘLAVIN

Interval čištění a kontroly: Měsíčně (po každých 50 hodinách provozu)

#### Sací hlava v palivové nádrži

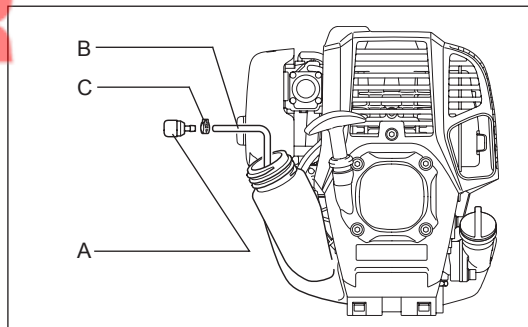
Palivový filtr (A) pravidelně kontrolujte. Při kontrole palivového filtru postupujte podle následujících kroků:

- (1) Sejměte víčko palivové nádrže a vypuštěním paliva nádrž zcela vyprázdněte. Zkontrolujte vnitřek nádrže, zda neobsahuje cizorodé materiály. Jestliže ano, odstraňte je.
- (2) Drátěným háčkem vytáhněte otvorem nádrže sací hlavu.
- (3) Jestliže je palivový filtr mírně zanesený, vyčistěte jej. Vyčištění provedte protřepáním a vyklepáním v palivu. Filtr nemačkejte ani nemněte, abyste jej nepoškodili. Palivo použité k čištění musí být zlikvidováno v souladu s metodou stanovenou předpisy ve vaší zemi.

Pokud je palivový filtr ztvrdlý nebo silně zanesený, vyměňte jej.

- (4) Po provedení kontroly, vyčištění či výměny upevněte vložte palivový filtr do palivové hadičky (B) a upevněte jej hadicovou svorkou (C). Palivový filtr zcela zatlačte do dolní části palivové nádrže.

Ucpaný či poškozený palivový filtr může způsobit nedostatečnou dodávku paliva a snížení výkonu motoru. Palivový filtr alespoň jednou za čtvrt roku vyměňte, abyste zajistili dostatečný přívod paliva do karburátoru.



#### VÝMĚNA PALIVOVÉ HADIČKY

### UPOZORNĚNÍ: PŘÍSNÝ ZÁKAZ POUŽÍVÁNÍ HOŘLAVIN

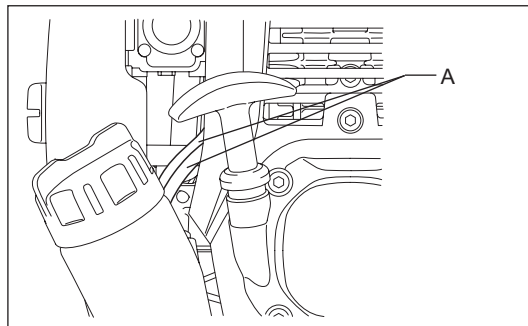
Interval čištění a kontroly: Denně (po každých 10 hodinách provozu)

Výměna: Jednou za rok (po každých 200 hodinách provozu)

Palivovou hadičku (A) vyměňujte každý rok, bez ohledu na pracovní vytížení.

Únik paliva může vyvolat požár.

Zjistíte-li během kontroly nějakou netěsnost palivové hadičky, okamžitě ji vyměňte.



#### KONTROLA ŠROUBŮ A MATIC

- Dotáhněte povolené šrouby, matice atd.
- Zkontrolujte, zda neuniká palivo či olej.
- K zajištění bezpečného provozu vyměňte poškozené díly za nové.

#### ČIŠTĚNÍ DÍLŮ

- Motor vždy udržujte v čistotě.
- Žebra válce musejí být zbavena prachu a nečistot. Prach či nečistoty na žebrech mohou způsobit zadření pístu.

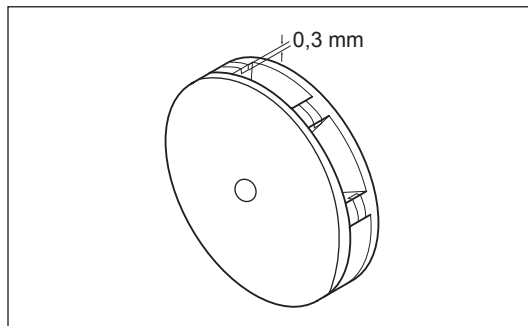
#### VÝMĚNA TĚSNĚNÍ

Při montáži demontovaného motoru vyměňte těsnění za nová.

Veškeré jiné než v této příručce obsažené a popsané práce spojené s údržbou či seřizováním mohou provádět pouze zástupci autorizovaných servisů.

#### KONTROLA ŘETĚZOVÉHO KOLA

Kontrolu řetězového kola provádějte po každých 50 hodinách provozu. Jestliže se známky opotřebení prohloubí na 0,3 mm či více, proveďte výměnu.



## Ostření pilového řetězu



### Pilový řetěz je nutno naostřit v následujících případech:

- Při řezání vlhkého dřeva vznikají moučnaté piliny.
- Řetěz proniká obtížně do dřeva, a to i při vyvinutí silného tlaku.
- Řezná hrana je viditelně poškozena.
- Pila ve dřevě táhne vlevo či vpravo. Příčinou tohoto chování je nerovnoměrné naostření pilového řetězu nebo jednostranné poškození.

### Pilový řetěz ostřete často, ale při každém ostření odstraňujte pouze malé množství materiálu.

K běžnému naostření obvykle postačují dva nebo tři tahy pilníkem. Po několika naostřeních pilového řetězu nechte řetěz naostřit v autorizovaném servisním středisku MAKITA.

### Kritéria ostření:

- Všechny délky břitů (**A**) musí být stejné. Břity rozdílných délek znemožňují plynulý běh řetězu a mohou způsobit jeho přetržení.
- Tloušťka třísky je dána vzdáleností mezi omezovací patkou (oblýmnosem) a břitem (**B**).
- Nejlepších výsledků řezání dosáhnete nastavením následující vzdálenosti mezi břitem a omezovací patkou.

Pilový řetěz 91VXL: 0,64 mm

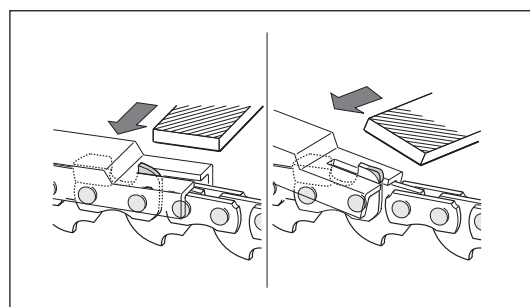
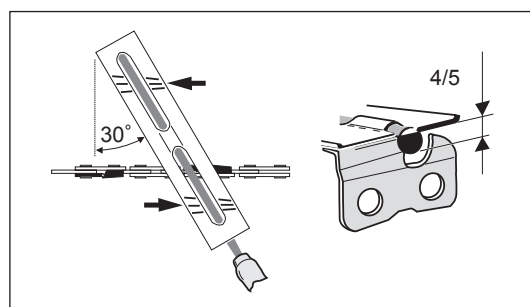
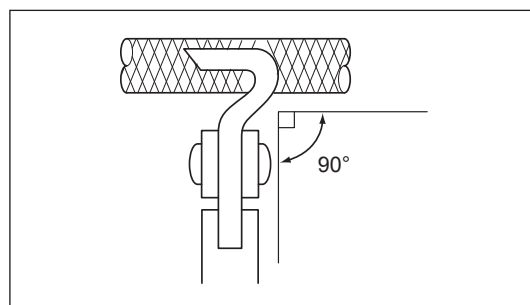
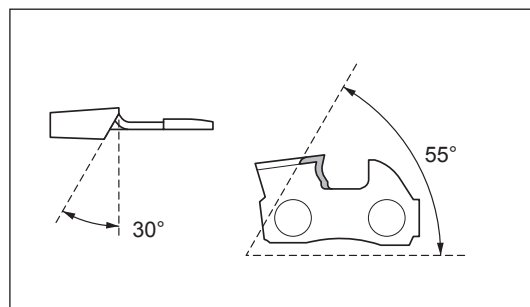
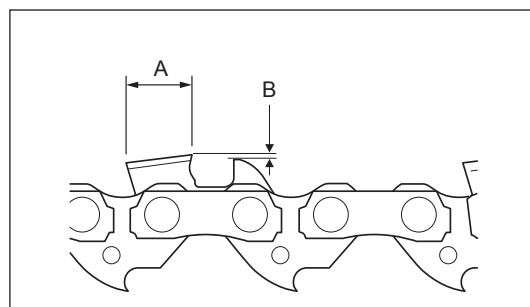


**VAROVÁNÍ:** Příliš velká vzdálenost zvyšuje riziko zpětného rázu.

- 30° úhel ostření musí být u všech břitů shodný. Rozdíly v úhlech mohou vést k hrubému a nerovnoměrnému pohybu řetězu, urychlují opotřebení a způsobují přetržení řetězu.
- Úhel boční hrany břitu je dán hloubkou průniku kruhového pilníku. Při řádném použití stanoveného pilníku se správný úhel boční hrany vytvoří automaticky.
- Správné úhly pro jednotlivé pilové řetězy jsou následující:  
Pilový řetěz 91VXL: 55°

### Pilník a vedení pilníku

- K ostření řetězu použijte speciální kruhový pilník (volitelné příslušenství) na pilové řetězy. Běžné kruhové pilníky nejsou vhodné.
- Průměry kruhových pilníků pro jednotlivé pilové řetězy jsou následující:  
Pilový řetěz 91VXL: 4,0 mm
- Pilníkem odebírejte materiál břitu pouze při pohybu vpřed. Při zpětném pohybu pilník od břitu oddalte.
- Nejprve naostřete nejkratší břit. Délka nejkratšího břitu se pak stane vzorem pro všechny ostatní břity pilového řetězu.
- Pilník vedte podle náčrtu.
- Pilník se vede snáze použitím vodítka pilníku (volitelné příslušenství). Vodítka pilníku je opatřeno značkami pro správný úhel ostření 30° (značky vyrovnají rovnoběžně s pilovým řetězem) a omezuje hloubku průniku (na 4/5 průměru pilníku).
- Po naostření řetězu zkontrolujte pomocí řetězové měřky (volitelné příslušenství) výšku omezovací patky.
- Speciálním plochým pilníkem (volitelné příslušenství) odstraňte veškerý přebytečný materiál.
- Znovu zaoblete přední stranu omezovací patky.

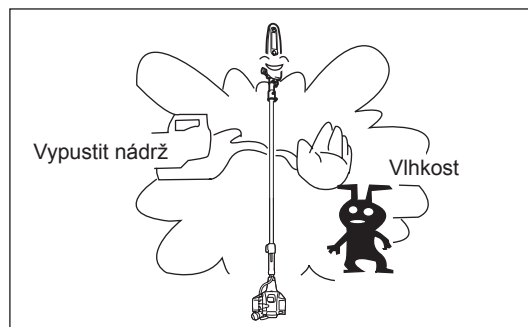




**VAROVÁNÍ: Při vypouštění paliva vypněte motor a zkontrolujte, zda je motor vychladlý. Po vypnutí zůstává motor horký. Počkejte, až motor vychladne, jinak by mohl způsobit popáleniny nebo vyvolat požár.**

Při dlouhodobějším vyřazení zařízení z provozu proveďte následující kroky:

- Z palivové nádrže a karburátoru vypusťte palivo podle následujícího postupu:
  - 1) Sejměte víčko palivové nádrže a palivo zcela vypusťte. Jestliže v palivové nádrži zůstala nějaká cizorodá hmota, důkladně ji odstraňte.
  - 2) Plnicím otvorem vytáhněte použitím drátku palivový filtr.
  - 3) Stlačováním vypusťte z nastříkovače palivo a vypusťte palivo vracející se do palivové nádrže.
  - 4) Do palivové nádrže vraťte filtr a pevně dotáhněte víčko palivové nádrže.
  - 5) Potom spusťte motor a nechte jej běžet, dokud se nezastaví.
- Vypusťte řetězový olej.
- Sejměte pilový řetěz a vodící lištu.
- Vyčistěte drážku vodící lišty.
- Pilový řetěz a vodící lištu mírně promazejte.
- Vyměňte zapalovací svíčku a do otvoru svíčky kápněte několik kapek motorového oleje.
- Zlehka zatáhněte za rukojeť startéru, aby se motorový olej nanesl do motoru, a pak namontujte zapalovací svíčku.
- Zařízení skladujte ve vodorovné poloze. Jestliže to není možné, postavte jej tak, aby byla jednotka motoru pod úroveň vyžínacího nástroje. Jinak by mohl zevnitř uniknout motorový olej.
- Věnujte vždy pozornost uložení zařízení na bezpečném místě, abyste zamezili jeho poškození a případnému zranění.
- Vypuštěné palivo uchovávejte ve speciální nádobě v dobře větraném stinném prostoru.



### Upozornění k dlouhodobému skladování

- Při uvádění do provozu po dlouhodobějším skladování vyměňte olej (viz část „VÝMĚNA MOTOROVÉHO OLEJE“). Nebude-li zařízení delší dobu používáno, olejová náplň se znehodnotí.

### Určování závad

Závada	Systém	Výsledek pozorování	Příčina
Motor nespouští nebo startuje s obtížemi	Systém zapalování	Svíčka dává jiskru	Závada v dodávce paliva nebo v kompresním systému, mechanická vada
		Svíčka nedává jiskru	Přepínač v poloze STOP, chyba nebo zkrat v elektroinstalaci, vadná svíčka nebo konektor, chybný zapalovací modul
	Přívod paliva	V nádrži je palivo	Nesprávná poloha sytiče, vadný karburátor, zablokované nebo přehnuté vedení paliva, znečištěné palivo
	Komprese	Při zatažení za startovací lanko není patrná komprese	Vadné dolní těsnění válce, poškozené těsnění klikového hřídele, vadný válec či pístní kroužky nebo nesprávné těsnění zapalovací svíčky
Potíže při startu s teplým motorem	Mechanická závada	Startér nezabírá	Zlomená pružina startéru, poškozené díly v motoru
	Přívod paliva	V nádrži je palivo a svíčka dává jiskru	Znečištěný karburátor – nechte jej vyčistit
Motor nastartuje, ale zhasne	Přívod paliva	V nádrži je palivo	Nesprávné seřízení volnoběhu, znečištěný karburátor Vadné odvětrání palivové nádrže, přerušení palivového vedení, vadný kabel nebo přepínač STOP
Nedostatečný výkon	Závada může být současně v několika systémech	Chybný volnoběh motoru	Znečištěný vzduchový filtr, znečištěný karburátor, ucpaný tlumič, ucpané výfukové vedení ve válci

Položka	Provozní doba	DP		Denně (10 h)	25 h	50 h	200 h	Vypnutí/ odpočinek
		Před prací	Po mazání					
Celá jednotka	Vizuálně zkontrolovat	<input type="radio"/>						
Motorový olej	Kontrola	<input type="radio"/>						
	Proveďte výměnu					<input type="radio"/> *1		
Dotažení dílů (šrouby, matice)	Kontrola	<input type="radio"/>						
Palivová nádrž	Kontrola	<input type="radio"/>						
	Vypustit nádrž							<input type="radio"/> *3
Ovládání plynu	Kontrola funkce	<input type="radio"/>	<input type="radio"/>					
Přepínač stop	Kontrola funkce	<input type="radio"/>	<input type="radio"/>					
Volnoběžné otáčky	Kontrola/seřízení			<input type="radio"/>				
Vzduchový filtr	Vyčištění			<input type="radio"/>				
Zapalovací svíčka	Kontrola			<input type="radio"/>				
Vedení chladicího vzduchu	Vyčištění/kontrola			<input type="radio"/>				
Palivová hadička	Kontrola			<input type="radio"/>				
	Proveďte výměnu						<input type="radio"/> *2	
Palivový filtr	Čištění/výměna					<input type="radio"/>		
Vůle ventilů (sací ventil a výfukový ventil)	Kontrola/seřízení						<input type="radio"/> *2	
Revize motoru							<input type="radio"/> *2	
Karburátor	Vypustit nádrž							<input type="radio"/> *3
Otvor přívodu řetězového oleje	Vyčištění			<input type="radio"/>				
Vodící lišta	Vyčistit drážku a otvor přívodu řetězového oleje			<input type="radio"/>				
	Kontrola			<input type="radio"/>				
	Doplnit mazivo			<input type="radio"/>				
Pouzdro převodovky	Doplnit mazivo				<input type="radio"/>			
Řetězové kolo	Kontrola					<input type="radio"/>		
Pilový řetěz	Vyměnit nebo požádat o naostření							<input type="radio"/> *4

\*1 První výměnu proveďte po 20 h provozu.

\*2 Po 200 provozních hodinách požádejte o prohlídku autorizované servisní středisko.

\*3 Po vyprázdnění palivové nádrže nechte motor běžet, aby se spotřebovalo palivo v karburátoru.

\*4 Pokud je třeba.

## ODSTRAŇOVÁNÍ PROBLÉMŮ



Než požádáte o opravu, pokuste se problém odstranit sami. Zjistíte-li nějaké závady, zkontrolujte zařízení podle popisu v této příručce. Žádný díl nikdy nepozměňujte a nedemontujte v rozporu s uvedeným popisem. Opravy svěřte zástupcům autorizovaného servisu nebo místnímu obchodnímu zastoupení.

Nenormální stav	Pravděpodobná příčina (porucha)	Náprava
Motor nespouští	Selhání nastřikovače.	Stiskněte 7 až 10krát.
	Nízká rychlost při tahání za startovací lanko.	Tahejte silněji.
	Nedostatek paliva.	Doplňte palivo.
	Ucpaný palivový filtr.	Vyčistěte jej.
	Odpojená palivová hadička.	Palivovou hadičku správně připojte.
	Přehnutá palivová hadička.	Vyrovnejte palivovou hadičku.
	Znehodnocené palivo.	Znehodnocené palivo ztěžuje startování. Vyměňte palivo za nové. (Doporučený interval výměny: 1 měsíc).
	Nadměrné nasávání paliva.	Nastavte páčku plynu na střední či vysoké otáčky a tahejte za rukojeť startéru, až motor naskočí. Po nastartování motoru se pilový řetěz začne otáčet. Dávejte dobrý pozor na pilový řetěz. Jestliže motor stále nenaskočí, vymontujte zapalovací svíčku, osušte elektrody a svíčku namontujte zpět. Potom nastartujte určeným způsobem.
	Odpojený konektor svíčky.	Zajistěte pevné připojení.
	Znečištěná zapalovací svíčka.	Vyčistěte ji.
	Nesprávná vzdálenost elektrod zapalovací svíčky.	Seřídte vzdálenost elektrod.
	Jiná závada zapalovací svíčky.	Vyměňte ji.
	Závada v karburátoru.	Požádejte o kontrolu a údržbu.
	Za startovací lanko nelze tahat.	Požádejte o kontrolu a údržbu.
Závada v systému pohonu.	Požádejte o kontrolu a údržbu.	
Motor se záhy zastaví Otáčky motoru se nezvyšují	Nedostatečné zahřátí.	Zahřejte motor
	Páčka sytiče je nastavena do polohy „ZAVŘENO“, přestože je motor zahřátý.	Nastavte páčku do polohy „OTEVŘENO“
	Ucpaný palivový filtr.	Vyčistěte jej.
	Znečištěný nebo ucpaný vzduchový filtr.	Vyčistěte jej.
	Závada v karburátoru.	Požádejte o kontrolu a údržbu.
	Závada v systému pohonu.	Požádejte o kontrolu a údržbu.
Není přiváděn řetězový olej.	Olejová nádrž je prázdná.	Naplňte olejovou nádrž řetězovým olejem.
	Otvor přívodu řetězového oleje je znečištěný.	Vyčistěte otvor přívodu řetězového oleje v jednotce a vodicí lištu.
	Nesprávně nastavený seřizovací šroub množství přiváděného řetězového oleje.	Provedte správné nastavení seřizovacím šroubem.
Pilový řetěz se neotáčí ↓ Okamžitě vypněte motor	Je ohnutá nebo poškozená vodicí lišta.	Vodicí lištu vyměňte.
	Do pilového řetězu se zapletla cizorodá hmota.	Odstraňte cizorodou hmotu s vypnutým motorem.
	Závada v systému pohonu.	Požádejte o kontrolu a údržbu.
Zařízení nadměrně vibruje ↓ Okamžitě vypněte motor	Zlomená, ohnutá nebo opotřebená vodicí lišta.	Vodicí lištu vyměňte.
	Uvolněný pilový řetěz.	Seřídte napnutí pilového řetězu.
	Závada v systému pohonu.	Požádejte o kontrolu a údržbu.
Pilový řetěz se nezastaví ↓ Okamžitě vypněte motor	Vysoké otáčky volnoběhu.	Seřídte otáčky volnoběhu.
	Problém s lankem ovládání plynu.	Požádejte servisní středisko o výměnu.
	Závada v systému pohonu.	Požádejte o kontrolu a údržbu.
Motor nelze vypnout ↓ Spusťte motor ve volnoběžných otáčkách a páčku sytiče nastavte na ZAVŘENO	Odpojený konektor přepínače I-O.	Zajistěte pevné připojení.
	Závada v elektroinstalaci.	Požádejte o kontrolu a údržbu.

Jestliže motor nenastartuje ani po zahřátí:

Nezjistíte-li u kontrolovaných položek nic neobvyklého, přidejte plyn asi na 1/3 a nastartujte motor.









**Makita Corporation**

Anjo, Aichi, Japan

[www.makita.com](http://www.makita.com)

885326-972

ALA